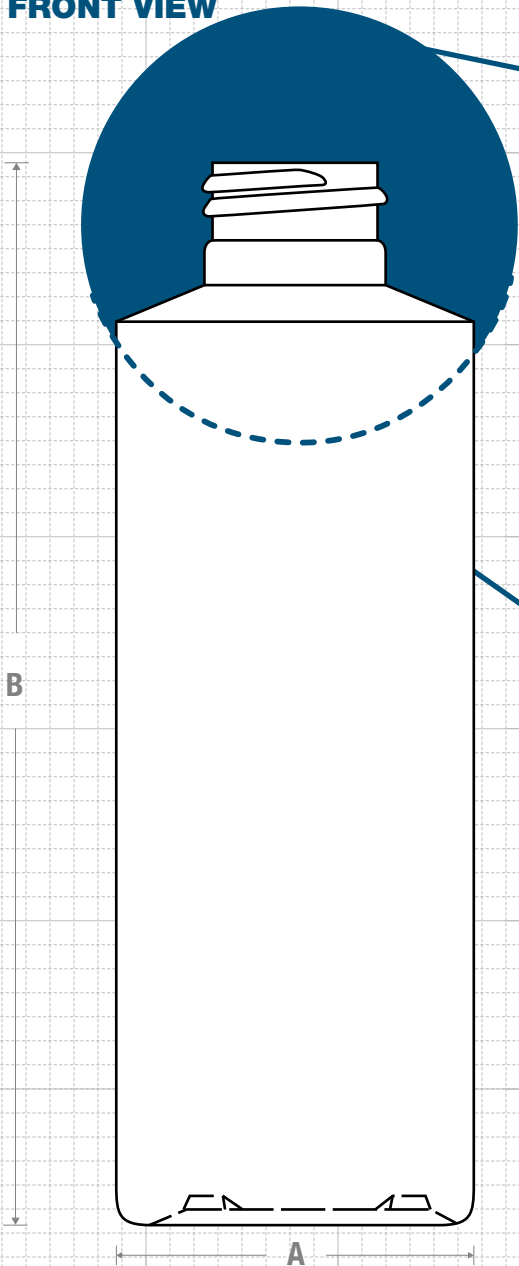
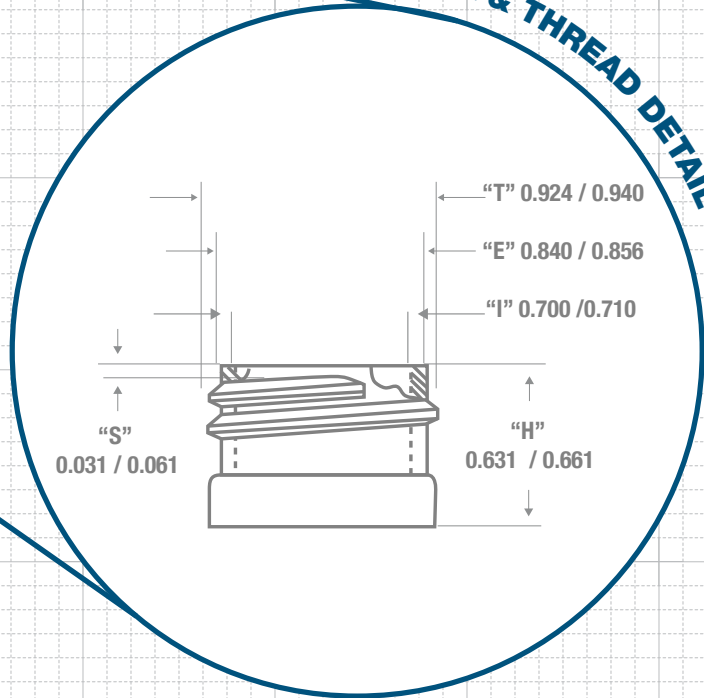


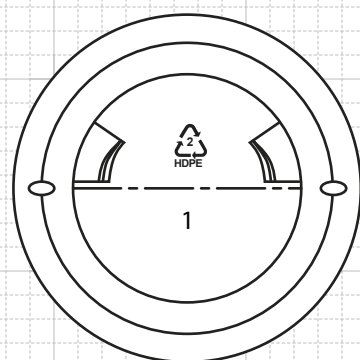
**FRONT VIEW**



**NECK & THREAD DETAIL**



- 2 HDPE
- 4 LDPE
- 5 PP
- 7 OTHER



**BOTTOM VIEW**

Recommended Plugs for this bottle

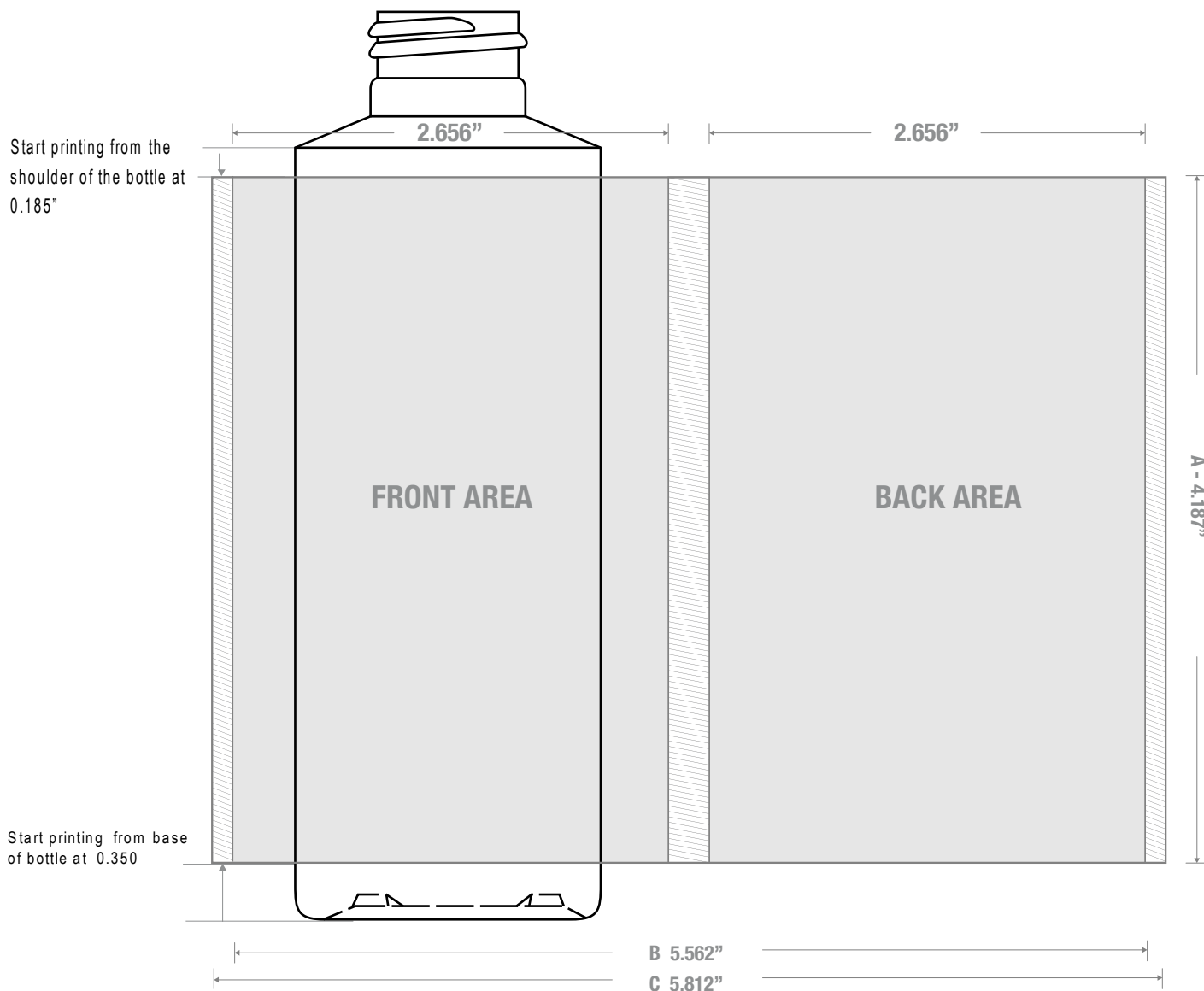


**FRICTION FIT**



**CLASSIC CONTAINERS INC**  
 1700 S. Hellman Ave.  
 Ontario, CA 91761  
 Phone: 909-930-3610  
 e-mail: info@classiccontainers.com  
 www.classiccontainers.com

Drawing: <b>6 oz Cylinder Round 24/410</b>	Gram Weight: <b>16 ± 2 grs</b>	Max Print Area (Height): <b>4.187"</b>	Cases Per Pallet: <b>16</b>
Stock Code: <b>000600010240000</b>	Neck Finish: <b>24/410</b>	Max Print Area (Width): <b>5.562"</b>	Box Dimensions: <b>24 7/16 x 18 1/2 x 23</b>
Manufacturing Process: <b>Extrusion Blow Molding</b>	Base Width (A): <b>1.860 ± 0.050</b>	Case Pack: <b>572</b>	Stock Material: <b>HDPE</b>
Overflow Capacity: <b>195 - 207 ml (6.6- 7.0 oz)</b>	Overall Height (B): <b>5.490 ± 0.050</b>	Case Weight (lb): <b>23 ± 2.5</b>	Rev #4 -11/2016      Drawing not exactly to size.



1700 S Hellman Ave, Ontario, California 91761  
 Phone: (909) 930-3610 | Fax: (909) 930-3640  
 e-mail: [info@classiccontainers.com](mailto:info@classiccontainers.com)  
[www.classiccontainers.com](http://www.classiccontainers.com)

**A - Total Height.**  
**B - Max. Decorating Area.**  
**C - Total bottle circumference.**  
 [Hatched Box] - Unprintable area.

LABELING SPECIFICATIONS: 6 oz CYLINDER ROUND 24 /410



1700 S Hellman Ave, Ontario, California 91761  
Phone: (909) 930-3610 | Fax: (909) 930-3640  
e-mail: [info@classiccontainers.com](mailto:info@classiccontainers.com)  
[www.classiccontainers.com](http://www.classiccontainers.com)

A - Total Height.  
B - Max. Decorating Area.