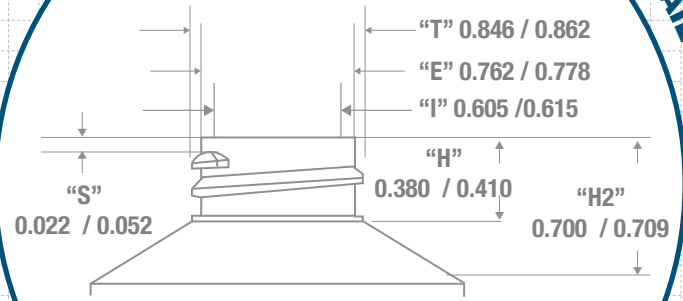
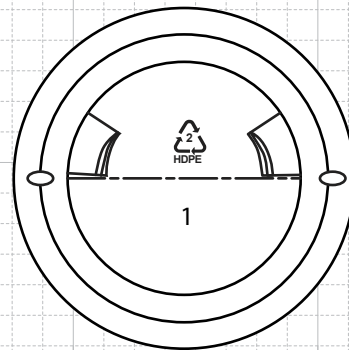
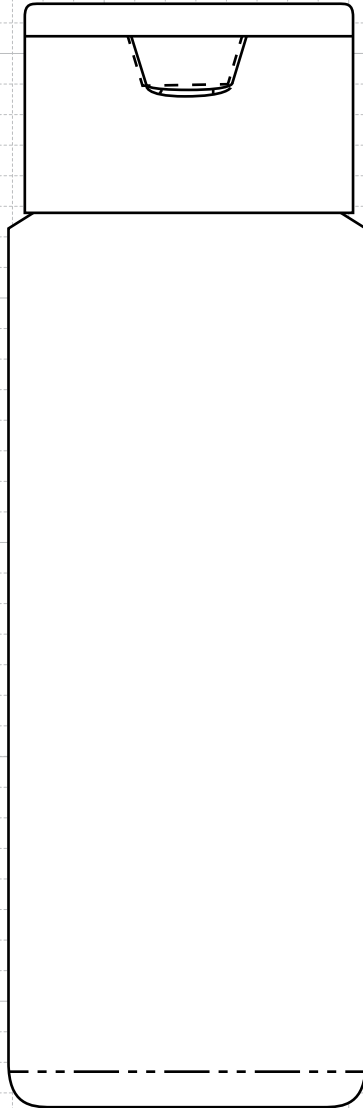
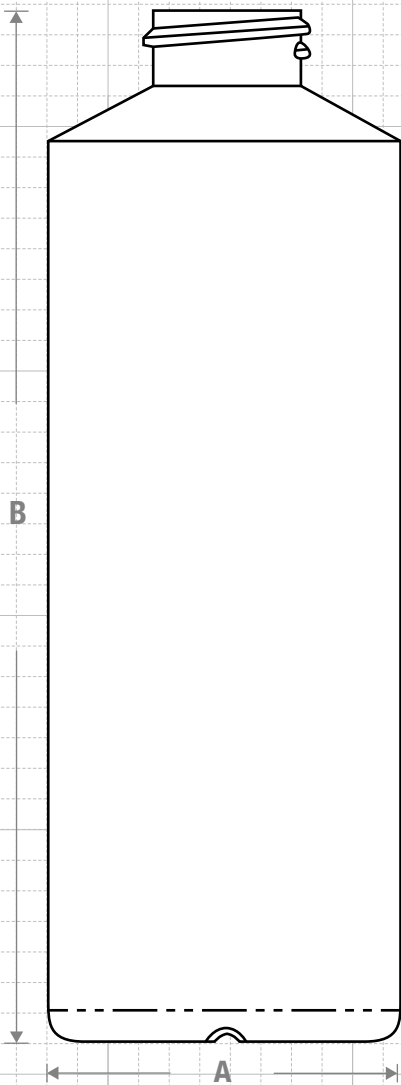




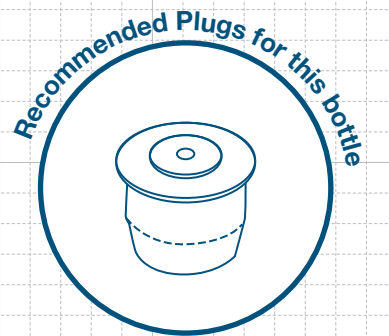
NECK & THREAD DETAIL



FRONT VIEW

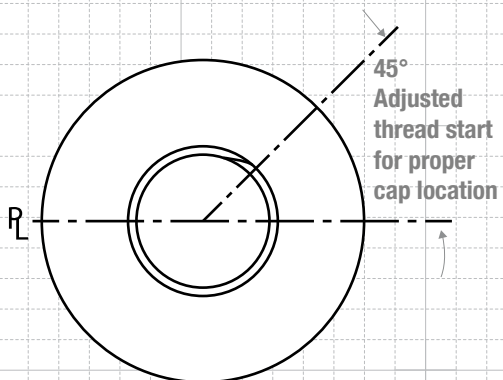
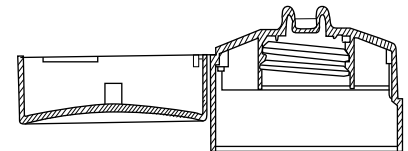
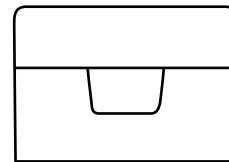


BOTTOM VIEW



FRICION FIT

Recommended 1" 1/2 and 2" Tube Closure for this bottle



CLASSIC CONTAINERS INC
 1700 S. Hellman Ave.
 Ontario, CA 91761
 Phone: 909-930-3610
 e-mail: info@classiccontainers.com
 www.classiccontainers.com

Drawing:
6 oz Cylinder Round 22/400

Gram Weight:
16.0 ± 2

Max Print Area (Height):
4.187"

Cases Per Pallet: **16**

Stock Code:
000600010220000

Neck Finish:
22/400

Max Print Area (Width):
5.562"

Box Dimensions:
24 7/16 x 18 1/2 x 23

Manufacturing Process:
Extrusion Blow Molding

Base Width (A):
1.860 ± 0.050

Case Pack: **552**

Stock Material:

Overflow Capacity:
192 - 203 ml (6.5 - 6.9 oz)

Overall Height (B):
5.387 ± 0.050

Case Weight (lb): **22.3 ± 2.4**

Rev #4 - 08/2021 Drawing not exactly to size.

