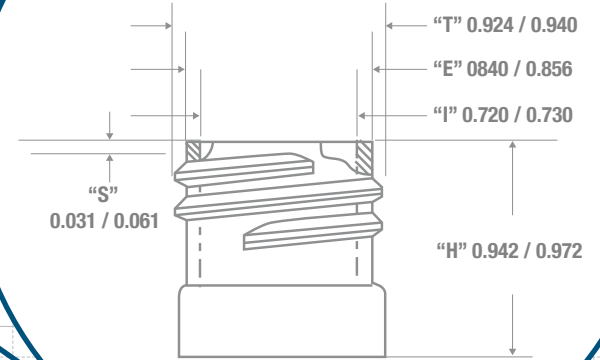


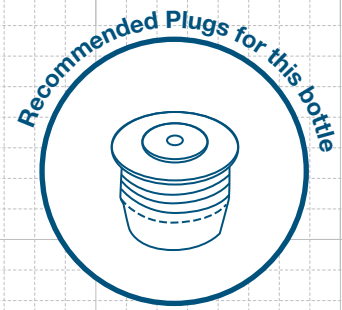
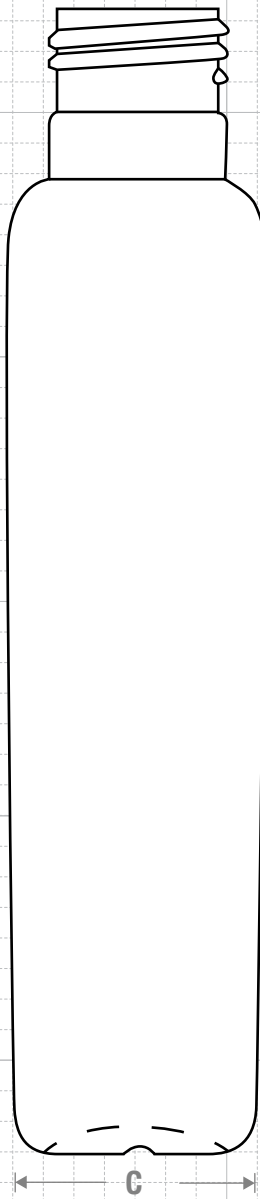
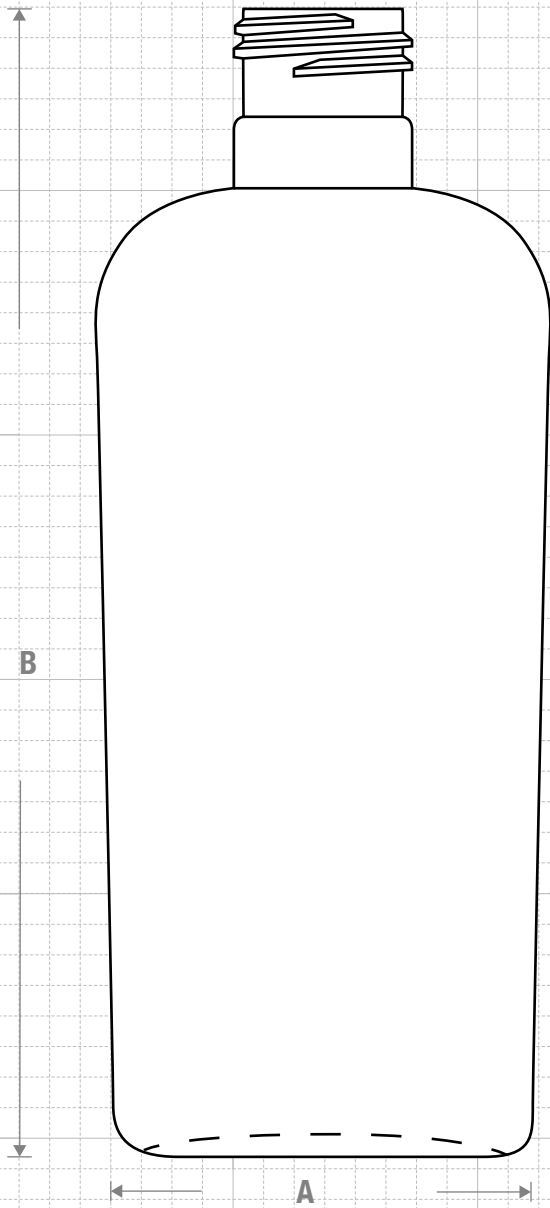


NECK & THREAD DETAIL

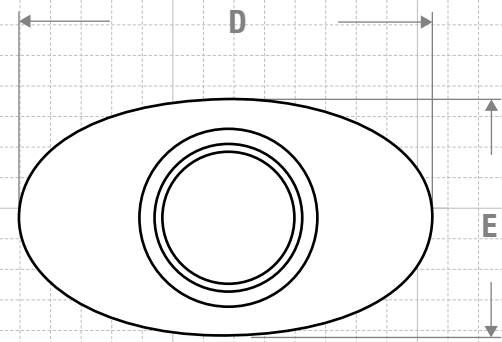


FRONT VIEW

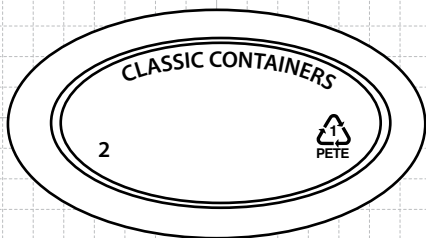
SIDE VIEW



FRICION FIT



TOP VIEW



BOTTOM VIEW

D Shoulder Width: 2.335 ± 0.050
 E Shoulder Depth: 1.381 ± 0.050



CLASSIC CONTAINERS INC
 1700 S. Hellman Ave.
 Ontario, CA 91761
 Phone: 909-930-3610
 e-mail: info@classiccontainers.com
 www.classiccontainers.com

Drawing:
6 oz Classic Oval 24/415

Gram Weight:
 20.0 ± 1

Max Print Area (Height):
3.875"

Cases Per Pallet: **16**

Stock Code:
000600230251700

Neck Finish:
24/415

Max Print Area (Width):
1.500"

Box Dimensions:
 $24 \frac{7}{16} \times 18 \frac{1}{2} \times 23$

Manufacturing Process:
Stretch Blow Molding

Base Width (A) Base Deep (C):
 2.173 ± 0.050 1.243 ± 0.050

Case Pack: **540**

Stock Material:



Overflow Capacity:
182 - 194 ml (6.2 - 6.6 oz)

Overall Height (B):
 6.079 ± 0.050

Case Weight (lb): **26.7 ± 1.2**

Rev #3 04/2017

Drawing not exactly to size.

