



Drawing:  
**60 ml Boston Round 24/410**

Stock Code:  
**060M00060240000**

Manufacturing Process:  
**Stretch Blow Molding**

Overflow Capacity:  
**70 - 76 ml (2.37 - 2.58 oz)**

Gram Weight:  
**11 ± 1**

Neck Finish:  
**24/410**

Base Width (A):  
**1.543 ± 0.040**

Overall Height (B):  
**3.333 ± 0.050**

Max Print Area (Height):

Max Print Area (Width):

Case Pack:**800**

Case Weight (lb): **21.5 ± 1.76**

Cases Per Pallet: **25**

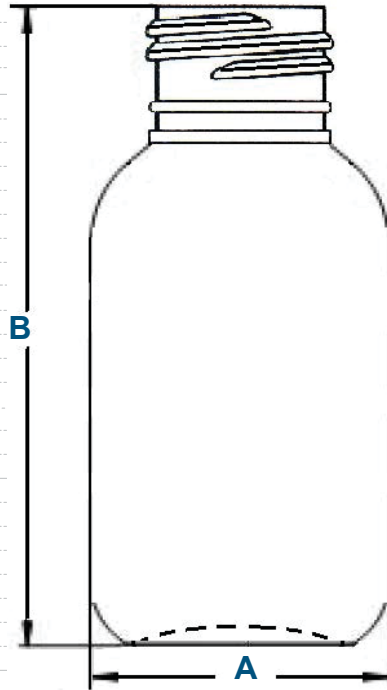
Box Dimensions:  
**23 5/8 x 15 9/16 x 17**

Stock Material:

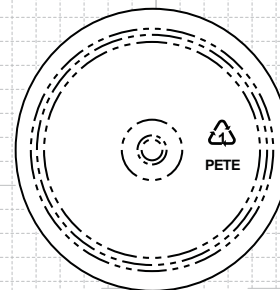
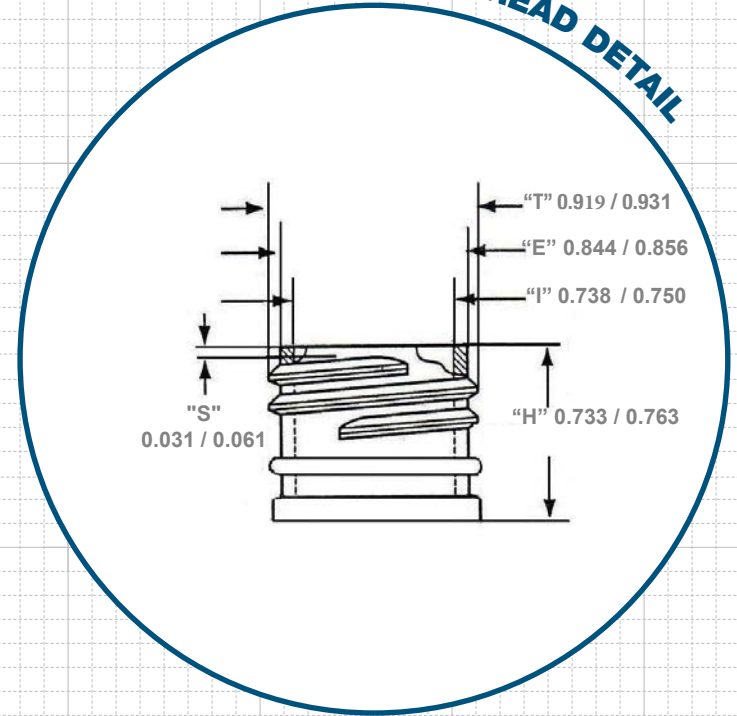


**CLASSIC CONTAINERS INC**  
1700 S. Hellman Ave.  
Ontario, CA 91761  
Phone: 909-930-3610  
e-mail: info@classiccontainers.com  
[www.classiccontainers.com](http://www.classiccontainers.com)

### FRONT VIEW



### NECK & THREAD DETAIL



### BOTTOM VIEW

