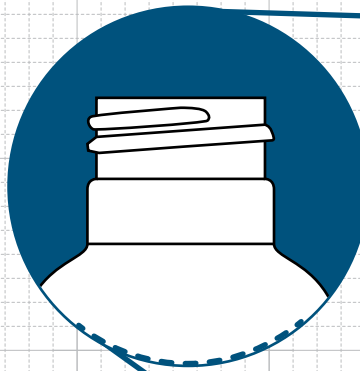
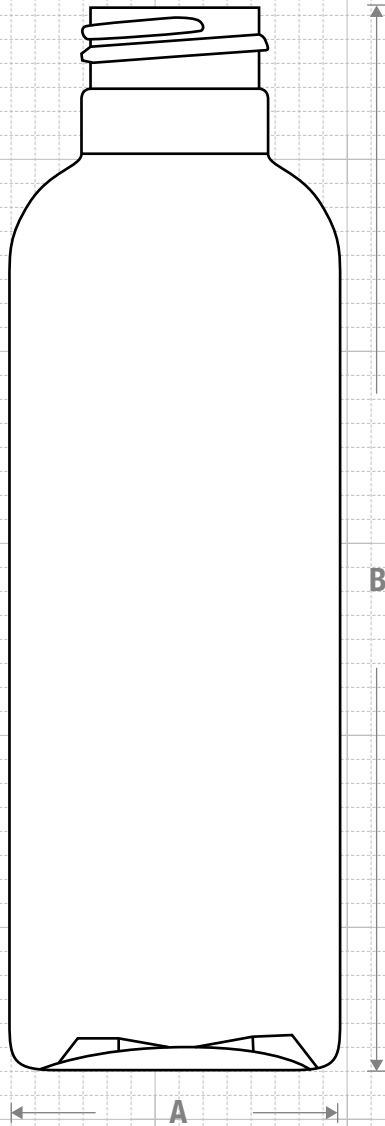
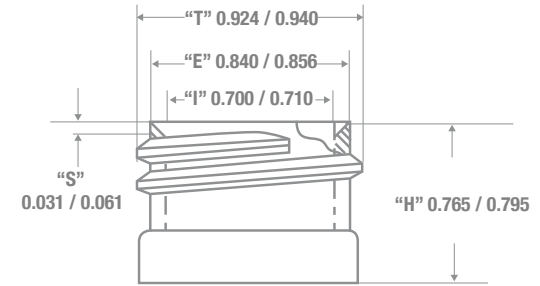




### FRONT VIEW



### NECK & THREAD DETAIL



Drawing:  
**5 oz Royalty Round 24 SPL**

Stock Code:  
**0005000424S0000**

Manufacturing Process:  
**Extrusion Blow Molding**

Overflow Capacity:  
**153 - 165 ml (5.2 - 5.6 oz)**

Gram Weight:  
**16 ± 1**

Neck Finish:  
**24 SPL**

Base Width (A):  
**1.690 ± 0.050**

Overall Height (B):  
**5.599 ± 0.050**

Max Print Area (Height):  
**3.750"**

Max Print Area (Width):  
**5.062"**

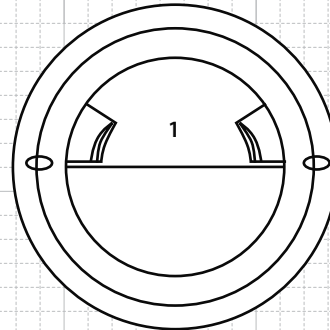
Case Pack: **420**

Case Weight (lb): **16.9 ± 0.9**

Cases Per Pallet: **25**

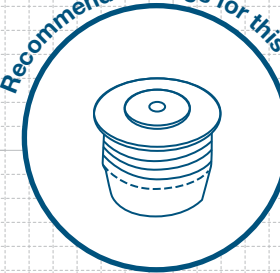
Box Dimensions:  
**23 5/8 x 15 9/16 x 17**

Stock Material:



### BOTTOM VIEW

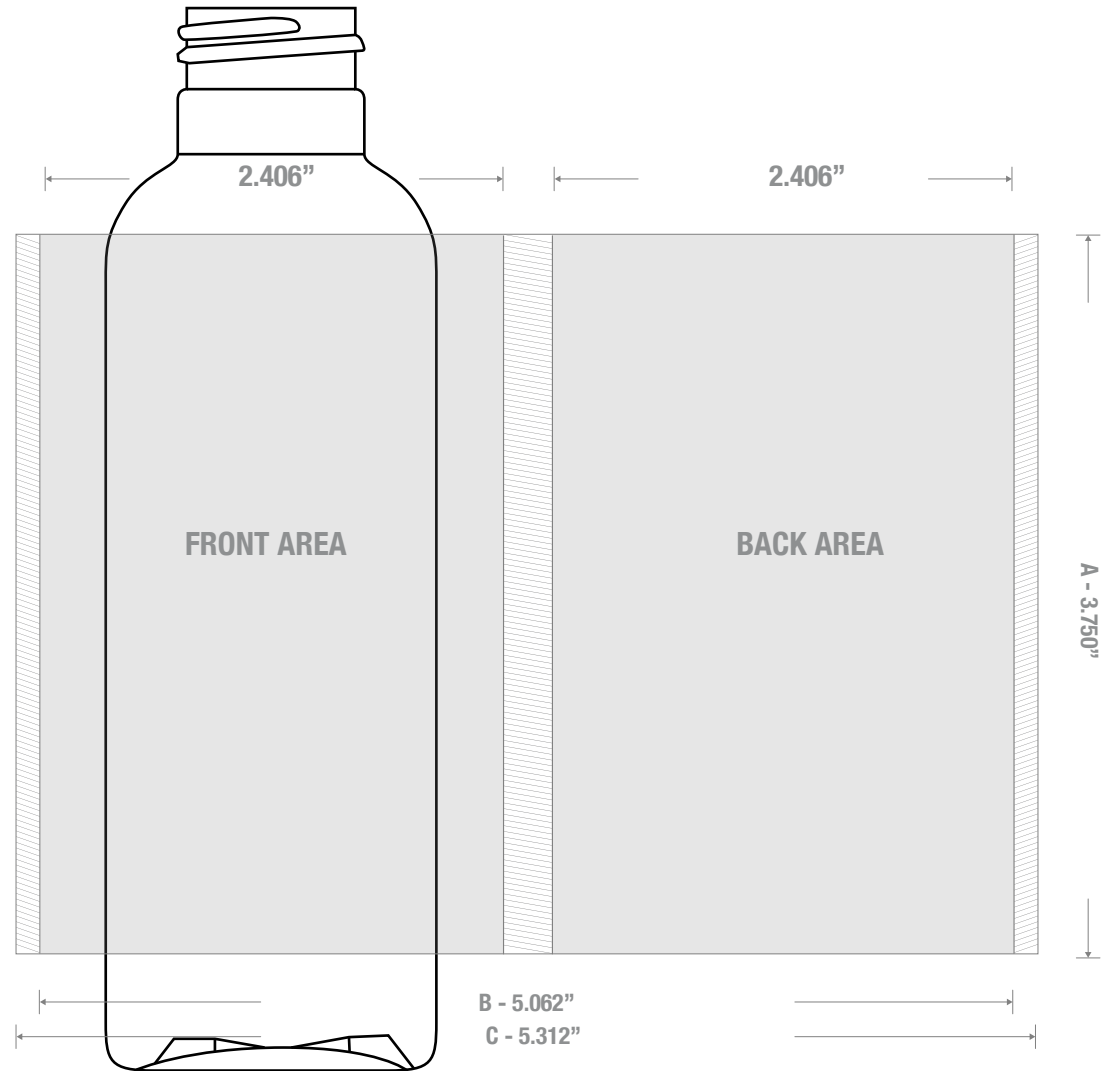
Recommended Plugs for this bottle



### FRICTION FIT

**CLASSIC CONTAINERS INC**  
1700 S. Hellman Ave.  
Ontario, CA 91761  
Phone: 909-930-3610  
e-mail: info@classiccontainers.com  
[www.classiccontainers.com](http://www.classiccontainers.com)

# PRINTING SPECIFICATIONS: 5 oz Royalty Round 24 SPL



1700 S Hellman Ave, Ontario, California 91761  
Phone: (909) 930-3610 | Fax: (909) 930-3640  
e-mail: [info@classiccontainers.com](mailto:info@classiccontainers.com)  
[www.classiccontainers.com](http://www.classiccontainers.com)

A - Total Height.  
B - Max. Decorating Area.  
C - Total bottle circumference.  
▨ - Unprintable area.

# LABELING SPECIFICATIONS: 5 oz Royalty Round 24 SPL



1700 S Hellman Ave, Ontario, California 91761  
Phone: (909) 930-3610 | Fax: (909) 930-3640  
e-mail: [info@classiccontainers.com](mailto:info@classiccontainers.com)  
[www.classiccontainers.com](http://www.classiccontainers.com)

**A - Total Height.**  
**B - Total bottle circumference.**