



Drawing:  
5 oz Mayan 24/415

Stock Code:  
000500570250000

Manufacturing Process:  
Extrusion Blow Molding

Overflow Capacity:  
156 - 171 ml (5.3 - 5.8 oz)

Gram Weight:  
12.5 ± 2

Neck Finish:  
24/415

Base Width (A):  
2.042 ± 0.050

Overall Height (B):  
5.526 ± 0.050

Max Print Area (Height):  
3.071"

Max Print Area (Width):  
1.250"

Case Pack: 378

Case Weight (lb): 12.54 ± 0.83

Cases Per Pallet: 25

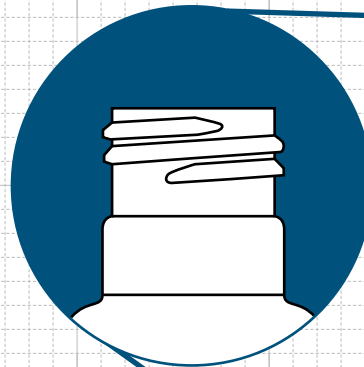
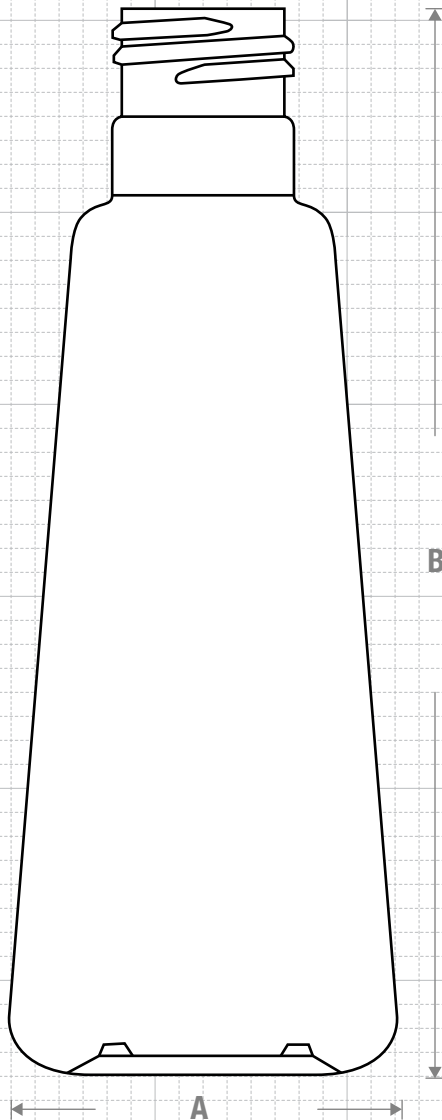
Box Dimensions:  
23 5/8 x 15 9/16 x 17

Stock Material:

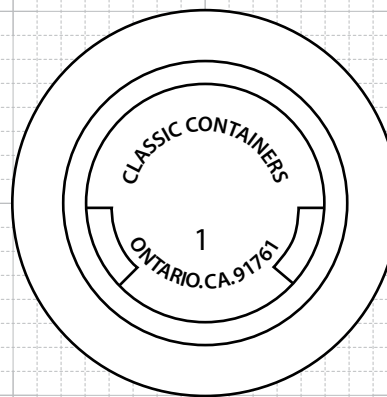
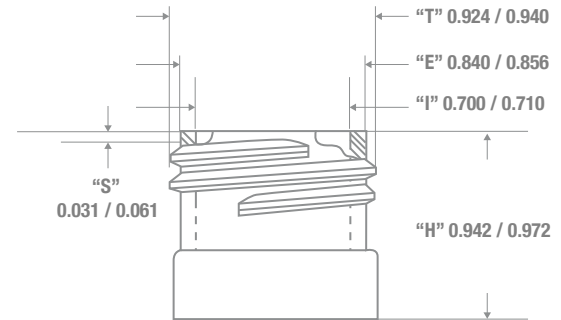


**CLASSIC CONTAINERS INC**  
1700 S. Hellman Ave.  
Ontario, CA 91761  
Phone: 909-930-3610  
e-mail: info@classiccontainers.com  
www.classiccontainers.com

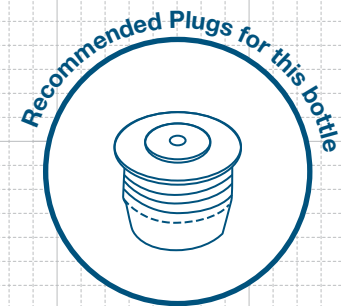
### FRONT VIEW



### NECK & THREAD DETAIL



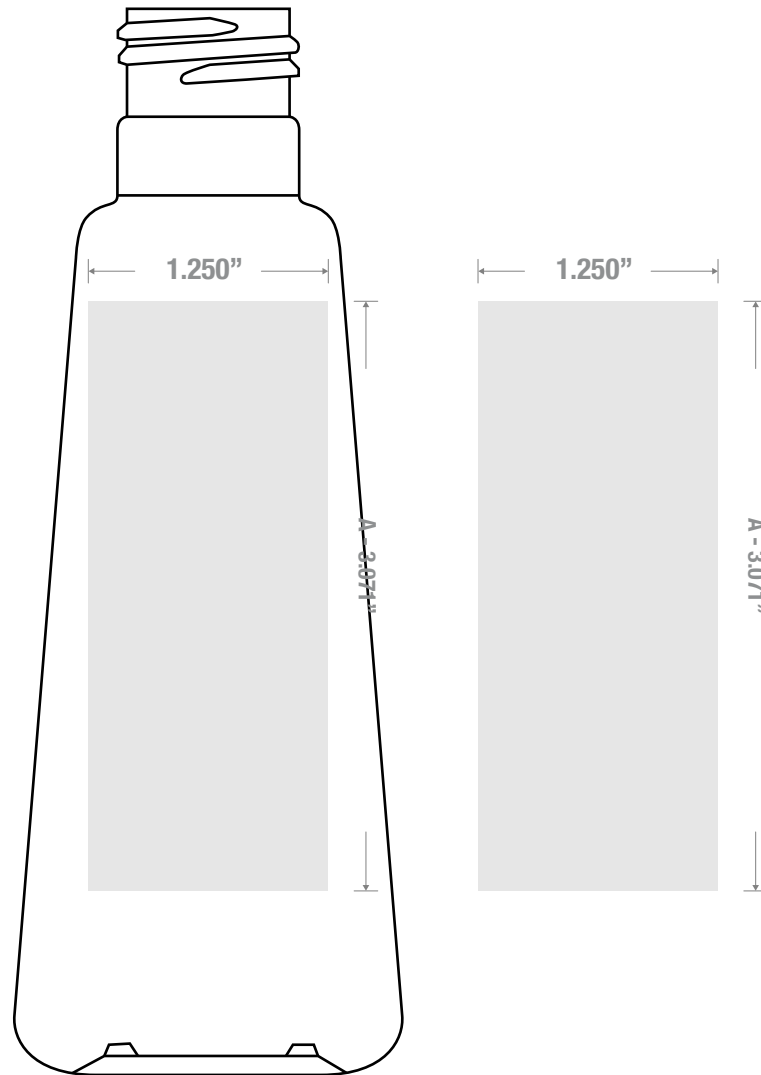
### BOTTOM VIEW



### FRICION FIT



# PRINTING SPECIFICATIONS: 5 oz Mayan 24/415



**LASSIC  
CONTAINERS  
Inc.**

1700 S Hellman Ave, Ontario, California 91761  
Phone: (909) 930-3610 | Fax: (909) 930-3640  
e-mail: [info@classiccontainers.com](mailto:info@classiccontainers.com)  
[www.classiccontainers.com](http://www.classiccontainers.com)

**A - Total Height.**  
**B - Max. Decorating Area.**

# LABEL SPECIFICATIONS: 5 oz Mayan 24/415



1700 S Hellman Ave, Ontario, California 91761  
Phone: (909) 930-3610 | Fax: (909) 930-3640  
e-mail: [info@classiccontainers.com](mailto:info@classiccontainers.com)  
[www.classiccontainers.com](http://www.classiccontainers.com)

**A - Total Height.**  
**B - Max. Decorating Area.**