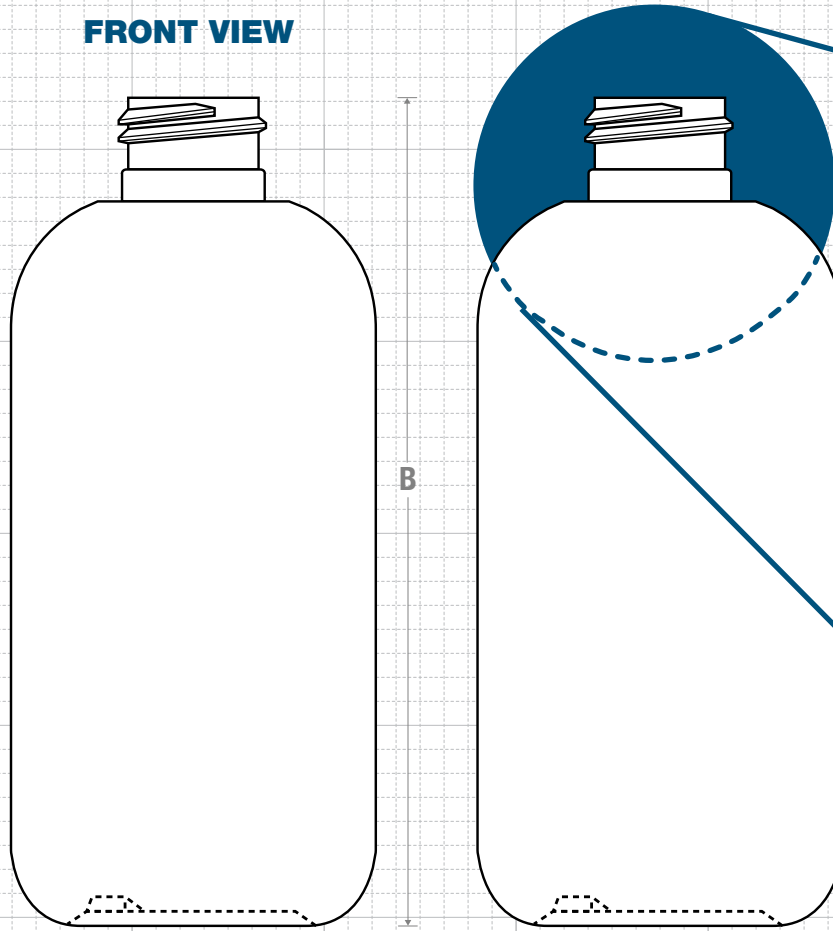
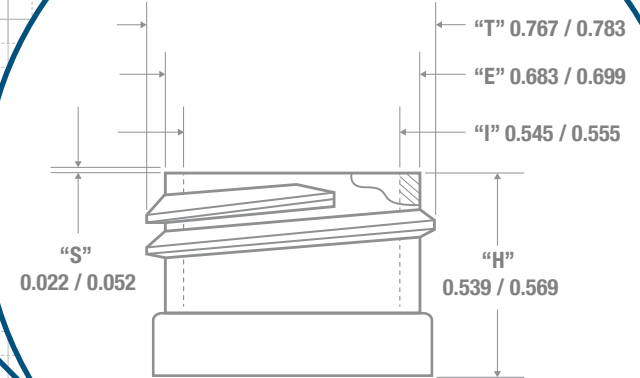




### FRONT VIEW



### NECK & THREAD DETAIL



Drawing:  
5 oz Boston Round 20/410

Stock Code:  
000500060200000

Manufacturing Process:  
Extrusion Blow Molding

Overflow Capacity:  
148 - 159 ml (5.0 - 5.5 oz)

Gram Weight:  
13.5 ± 1

Neck Finish:  
20/410

Base Width (A):  
1.900 ± 0.050

Overall Height (B):  
4.330 ± 0.050

Max Print Area (Height):  
2.750"

Max Print Area (Width):  
5.750"

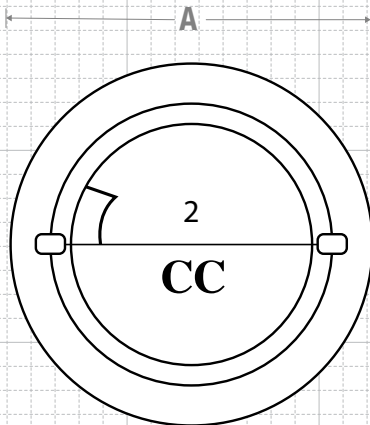
Case Pack: 660

Case Weight (lb): 23.0 ± 1

Cases Per Pallet: 16

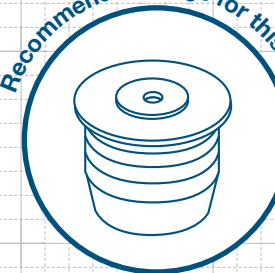
Box Dimensions:  
24 7/16 x 18 1/2 x 23

Stock Material:



### BOTTOM VIEW

Recommended Plugs for this bottle



FRICION FIT

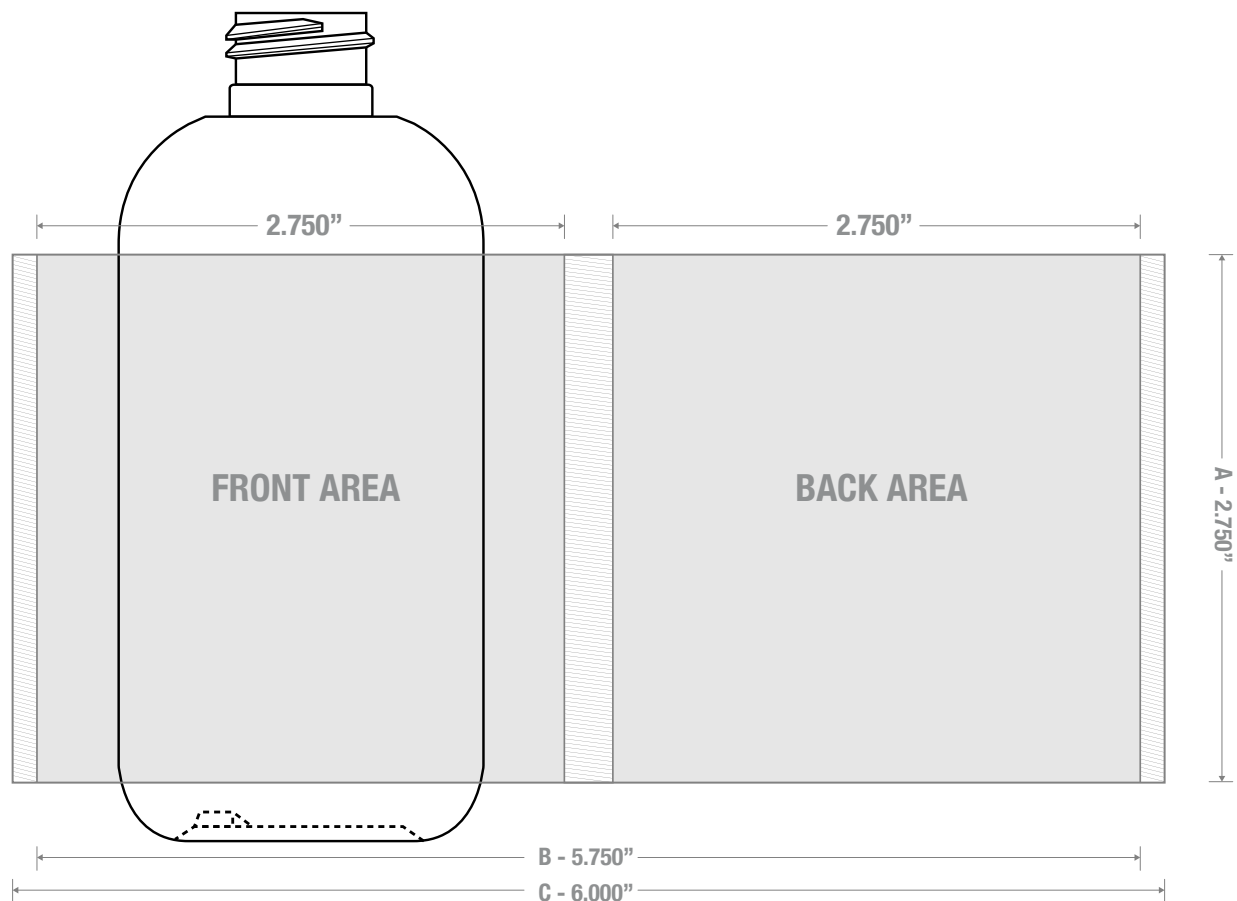
Recommended Plugs for this bottle



FRICION FIT

CLASSIC CONTAINERS INC  
1700 S. Hellman Ave.  
Ontario, CA 91761  
Phone: 909-930-3610  
e-mail: info@classiccontainers.com  
www.classiccontainers.com

# PRINTING SPECIFICATIONS: 5 oz BOSTON ROUND



1700 S Hellman Ave, Ontario, California 91761  
Phone: (909) 930-3610 | Fax: (909) 930-3640  
e-mail: [info@classiccontainers.com](mailto:info@classiccontainers.com)  
[www.classiccontainers.com](http://www.classiccontainers.com)

**A - Total Height.**  
**B - Max. Decorating Area.**  
**C - Total bottle circumference.**  
▨ - Unprintable area.