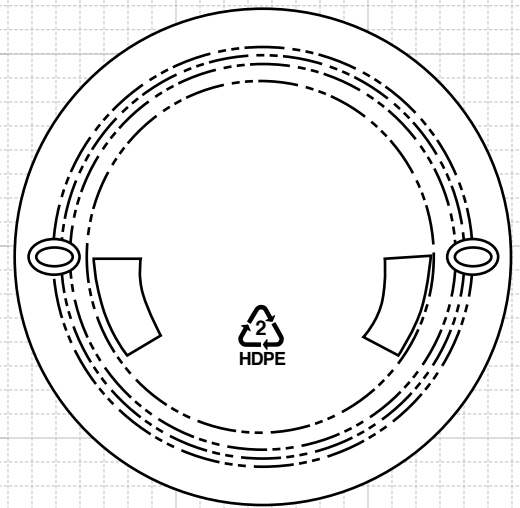
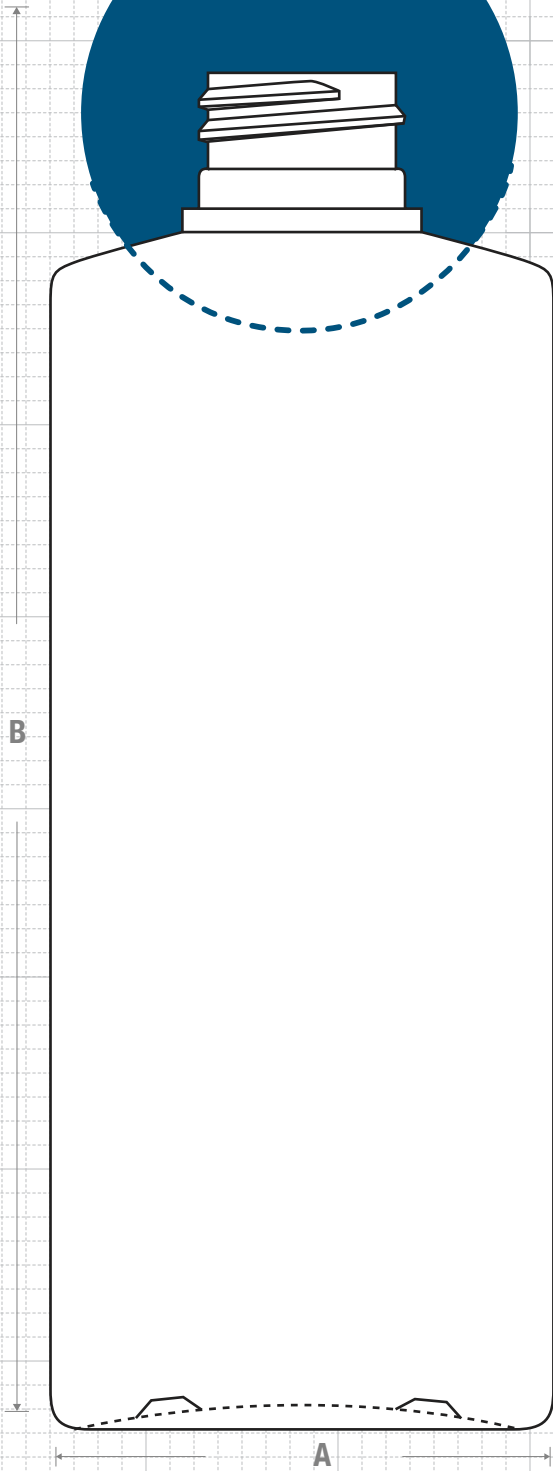
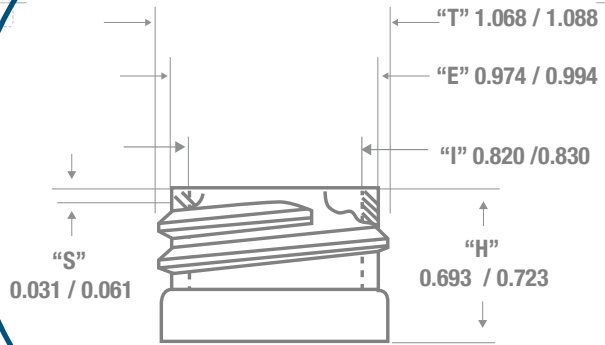


FRONT VIEW



NECK & THREAD DETAIL



BOTTOM VIEW



CLASSIC CONTAINERS INC
 1700 S. Hellman Ave.
 Ontario, CA 91761
 Phone: 909-930-3610
 e-mail: info@classiccontainers.com
 www.classiccontainers.com

Drawing: 500 ml Cylinder Round Squat 28/410	Gram Weight: 32 ± 2	Max Print Area (Height): 5.210"	Cases Per Pallet: 16
Stock Code: 050000320280000	Neck Finish: 28/410	Max Print Area (Width): 7.940"	Box Dimensions: 24 7/16 x 18 1/2 x 23
Manufacturing Process: Extrusion Blow Molding	Base Width (A): 2.585 ± 0.060	Case Pack: 204	Stock Material:
Overflow Capacity: 513 - 531 ml (17.4 - 18 oz)	Overall Height (B): 7.060 ± 0.060	Case Weight (lb): 17.3 ± 0.9	Rev #4 - 11/2016 Drawing not exactly to size.



1700 S Hellman Ave, Ontario, California 91761
 Phone: (909) 930-3610 | Fax: (909) 930-3640
 e-mail: info@classiccontainers.com
www.classiccontainers.com

A - Total Height.
B - Max. Decorating Area.
C - Total bottle circumference.
 ▨ - Unprintable area.