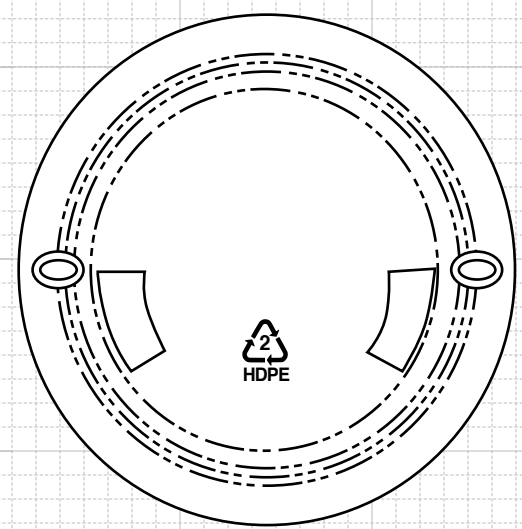
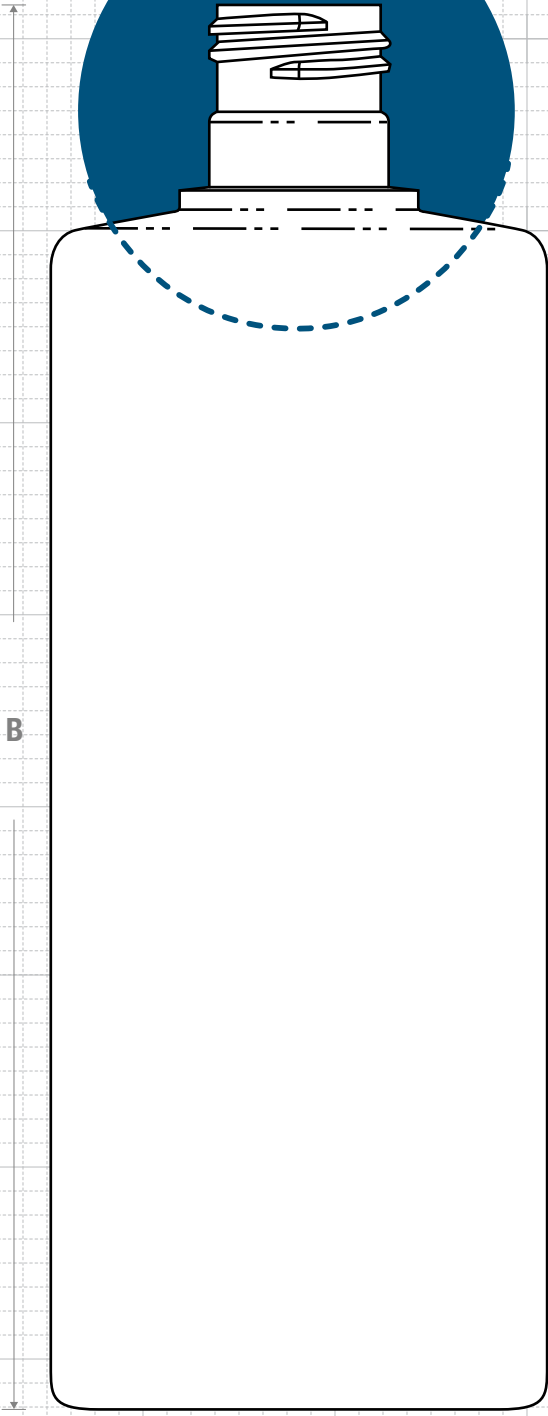
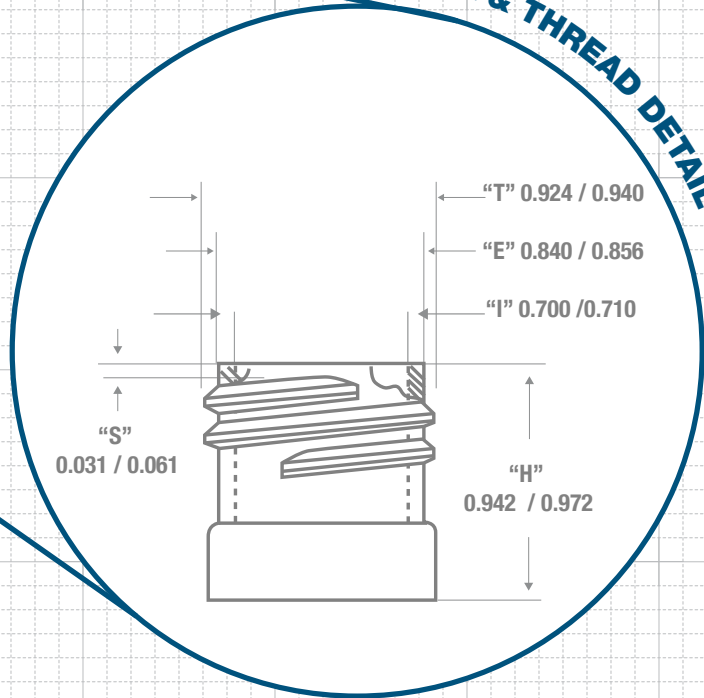


FRONT VIEW



NECK & THREAD DETAIL



BOTTOM VIEW



CLASSIC CONTAINERS INC
 1700 S. Hellman Ave.
 Ontario, CA 91761
 Phone: 909-930-3610
 e-mail: info@classiccontainers.com
 www.classiccontainers.com

Drawing:
500 ml Cylinder Round Squat
 24/415

Stock Code:
050000320250000

Manufacturing Process:
Extrusion Blow Molding

Overflow Capacity:
513 - 531 ml (17.4 - 18 oz)

Gram Weight:
32 ± 2

Neck Finish:
24/415

Base Width (A):
2.585 ± 0.060

Overall Height (B):
7.315 ± 0.060

Max Print Area (Height):
5.210"

Max Print Area (Width):
7.940"

Case Pack: **204**

Case Weight (lb): **17.3 ± 0.9**

Cases Per Pallet: **16**

Box Dimensions:
24 7/16 x 18 1/2 x 23

Stock Material:



Rev #1 - 11/2016

Drawing not exactly to size.



1700 S Hellman Ave, Ontario, California 91761
Phone: (909) 930-3610 | Fax: (909) 930-3640
e-mail: info@classiccontainers.com
www.classiccontainers.com

A - Total Height.
B - Max. Decorating Area.
C - Total bottle circumference.
▨ - Unprintable area.