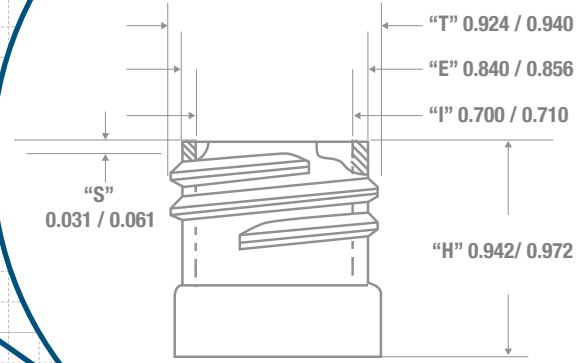


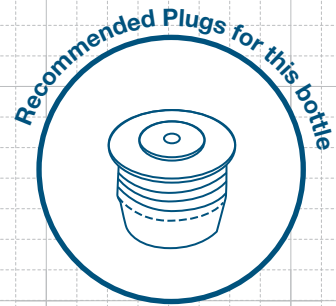
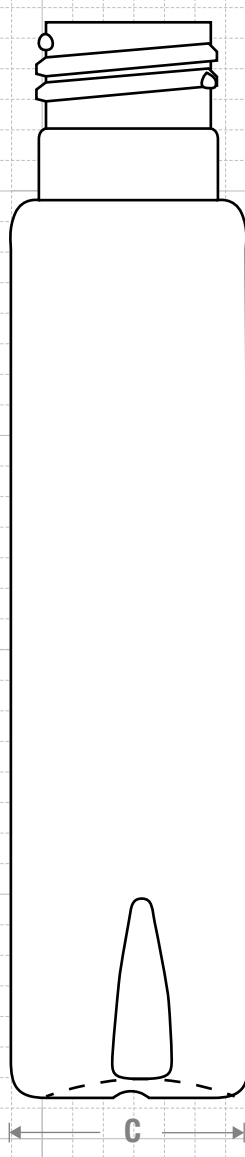
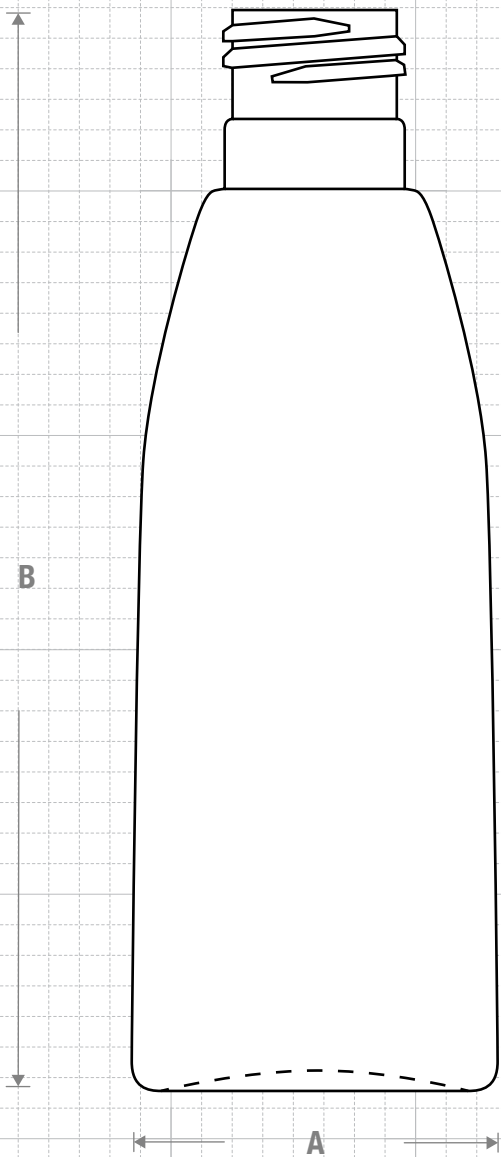


# NECK & THREAD DETAIL



## FRONT VIEW

## SIDE VIEW



### FRICITION FIT



### BOTTOM VIEW



**CLASSIC CONTAINERS INC**  
 1700 S. Hellman Ave.  
 Ontario, CA 91761  
 Phone: 909-930-3610  
 e-mail: info@classiccontainers.com  
 www.classiccontainers.com

Drawing:  
**4 oz ml Teardrop 24/415**

Gram Weight:  
**15.0 ± 1**

Max Print Area (Height):  
**3.540"**

Cases Per Pallet: **25**

Stock Code:  
**000400350250000**

Neck Finish:  
**24/415**

Max Print Area (Width):  
 Shoulder: **0.500"** Base: **1.250"**

Box Dimensions:  
**23 5/8 x 15 9/16 x 17**

Manufacturing Process:  
**Extrusion Blow Molding**

Base Width (A) BaseDeep (C):  
**1.939± 0.050 1.258± 0.050**

Case Pack: **483**

Stock Material:



Overflow Capacity:  
**130 -142 ml (4.4- 4.8 oz)**

Overall Height (B):  
**5.825 ± 0.050**

Case Weight (lb): **18.0 ± 1.1**

Rev #3 06/2016

Drawing not exactly to size.

