



Drawing:
**4 oz Imperial Round
20/410**

Stock Code:
000400050200000

Manufacturing Process:
Extrusion Blow Molding

Overflow Capacity:
121.0-133 ml (4.1 - 4.5 oz)

Gram Weight:
13.0 ± 1

Neck Finish:
20/410

Base Width (A):
1.510 ± 0.050

Overall Height (B):
5.350 ± 0.050

Max Print Area (Height):
3.750

Max Print Area (Width):
4.500"

Case Pack: **480**

Case Weight (lb): **15.9 ± 1**

Cases Per Pallet: **25**

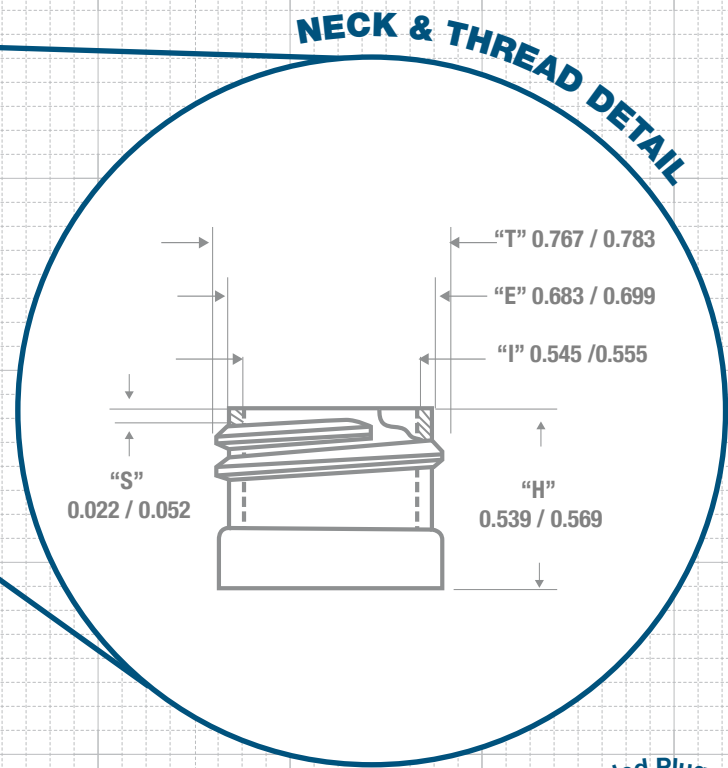
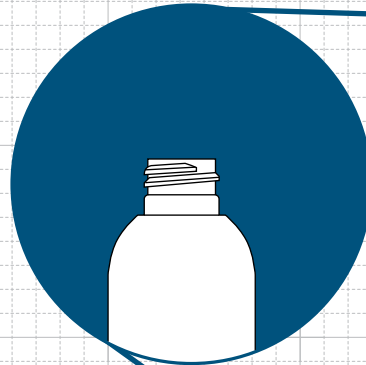
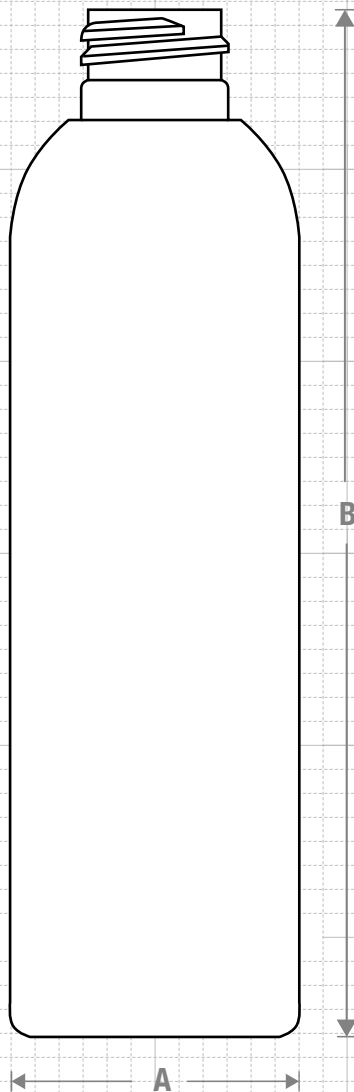
Box Dimensions:
23 5/8 x 15 9/16 x 17

Stock Material:



CLASSIC CONTAINERS INC
1700 S. Hellman Ave.
Ontario, CA 91761
Phone: 909-930-3610
e-mail: info@classiccontainers.com
www.classiccontainers.com

FRONT VIEW



NECK & THREAD DETAIL



BOTTOM VIEW

Recommended Plugs for this bottle

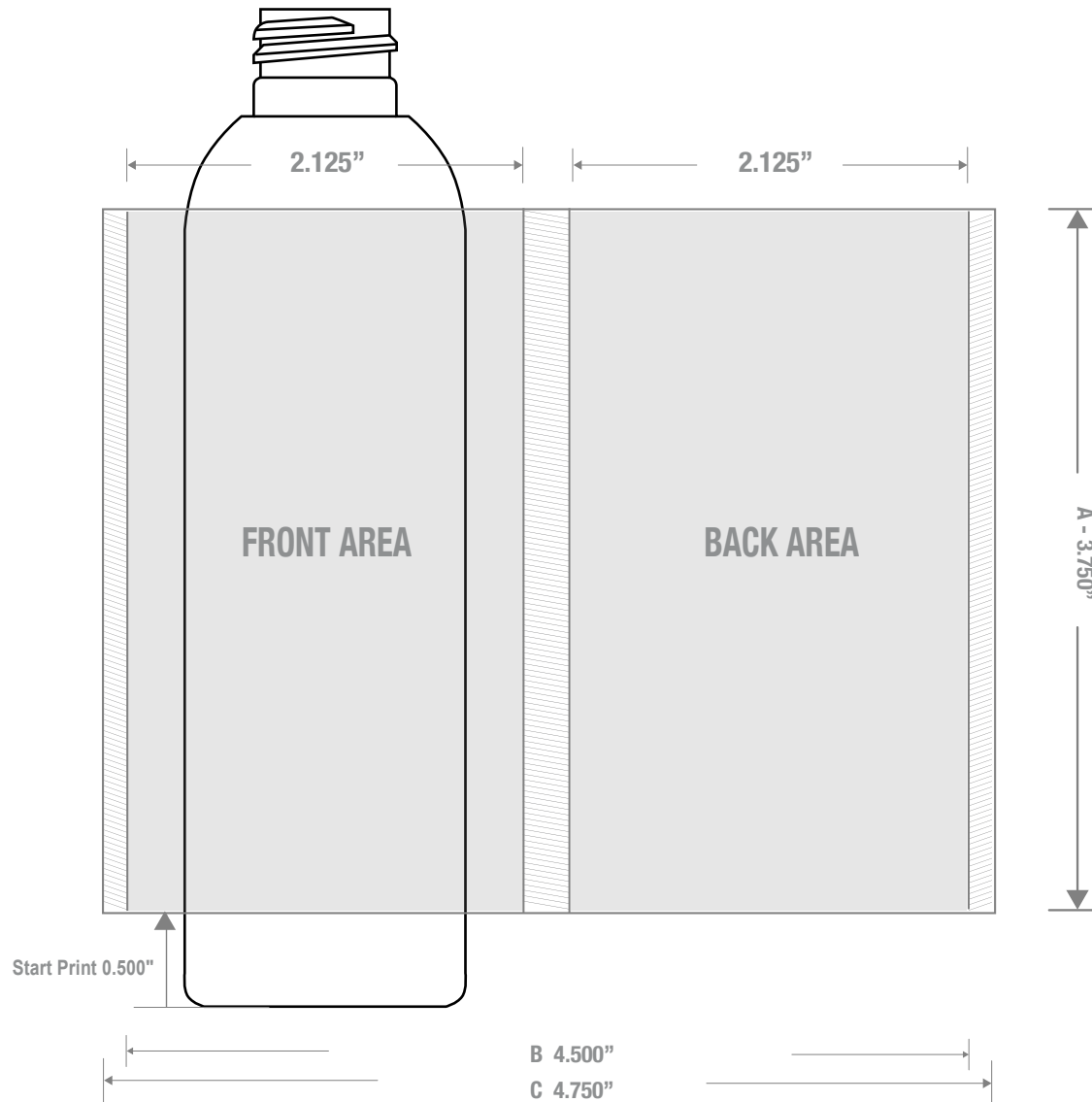


FRICITION FIT

Recommended Plugs for this bottle



PRINTING SPECIFICATIONS: 4 oz IMPERIAL ROUND 20/410



1700 S Hellman Ave, Ontario, California 91761
Phone: (909) 930-3610 | Fax: (909) 930-3640
e-mail: info@classiccontainers.com
www.classiccontainers.com

A - Total Height.
B - Max. Decorating Area.
C - Total bottle circumference.
▨ - Unprintable area.

LABELING SPECIFICATIONS: 4 oz IMPERIAL ROUND 20/410



1700 S Hellman Ave, Ontario, California 91761
Phone: (909) 930-3610 | Fax: (909) 930-3640
e-mail: info@classiccontainers.com
www.classiccontainers.com

A - Total Height.
B - Max. Decorating Area.
C - Total bottle circumference.
☐ - Unprintable area.