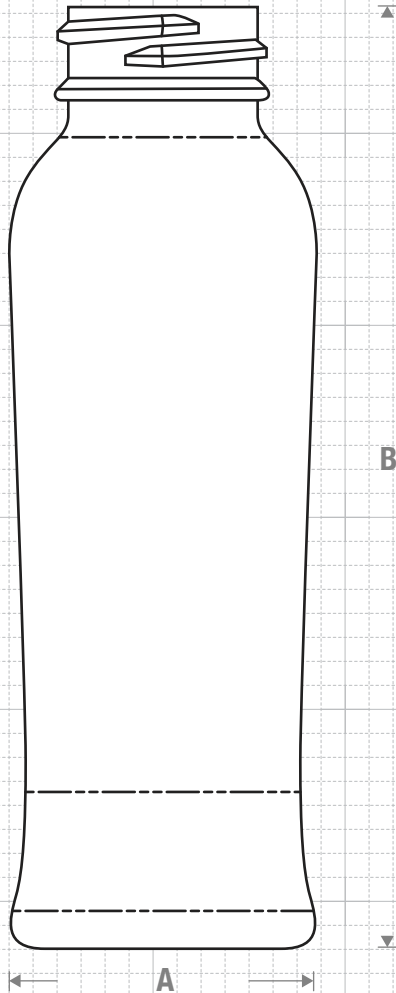




FRONT VIEW



Drawing:
4 oz Flared Bell 28/400

Stock Code:
000401410300000

Manufacturing Process:
Extrusion Blow Molding

Overflow Capacity:
106 - 115 ml (3.6 - 3.9 oz)

Gram Weight:
16 ± 1.0

Neck Finish:
28/400

Base Width (A):
1.585 ± 0.050

Overall Height (B):
4.900 ± 0.050

Max Print Area (Height):
2.650"

Max Print Area (Width):
2.271"/2.490"

Case Pack: 504

Case Weight (lb): 20.0 ± 1.1

Cases Per Pallet: 25

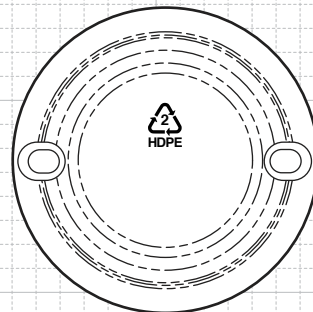
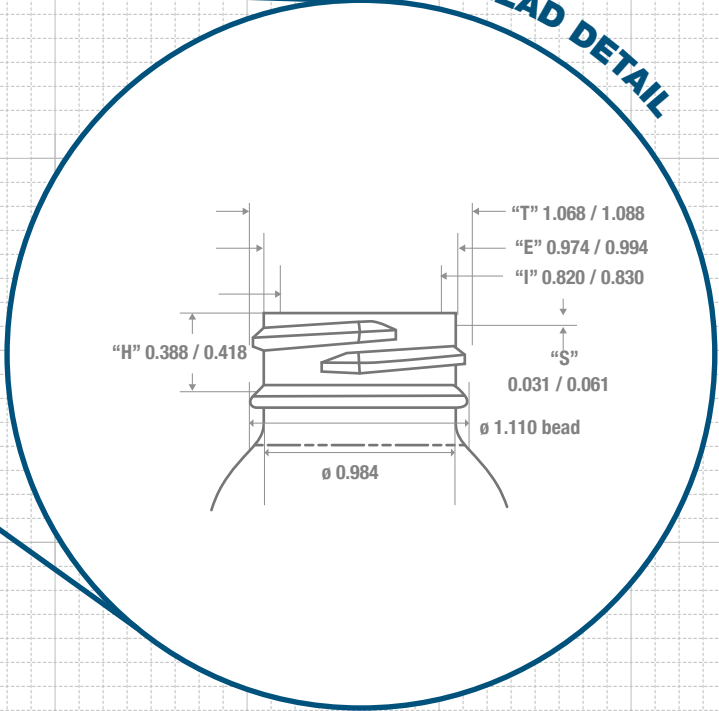
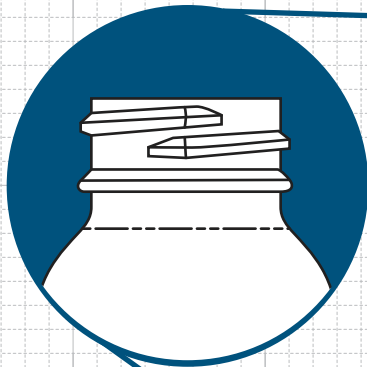
Box Dimensions:
23 5/8 x 15 9/16 x 17

Stock Material:

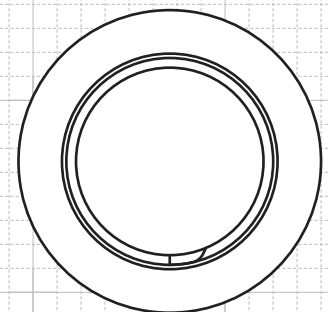


CLASSIC CONTAINERS INC
1700 S. Hellman Ave.
Ontario, CA 91761
Phone: 909-930-3610
e-mail: info@classiccontainers.com
www.classiccontainers.com

NECK & THREAD DETAIL



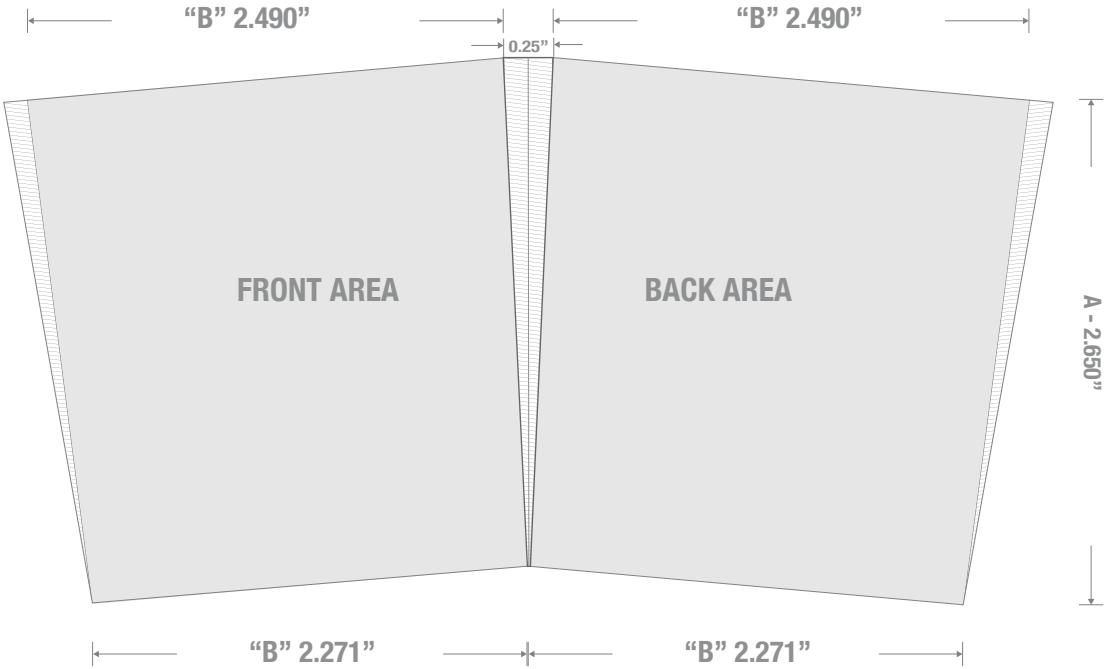
BOTTOM VIEW



TOP VIEW



PRINTING SPECIFICATIONS: 4 oz Flared Bell 28/400



1700 S Hellman Ave, Ontario, California 91761
 Phone: (909) 930-3610 | Fax: (909) 930-3640
 e-mail: info@classiccontainers.com
www.classiccontainers.com

A - Total Height.
B - Max. Decorating Area
 [Hatched Box] - Unprintable area.

Printing over a mold part line is discouraged due to the fact that may lead to missing characters or un-printed.