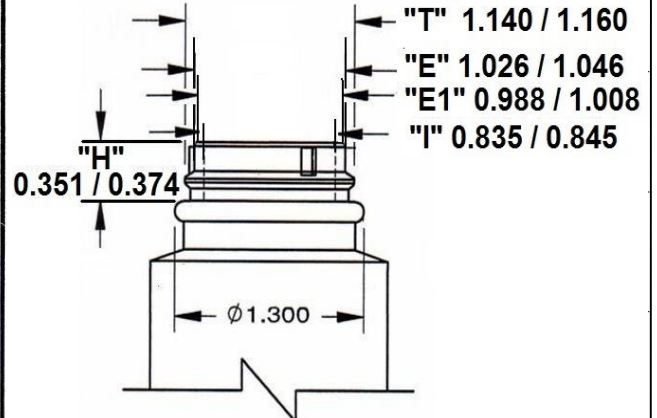


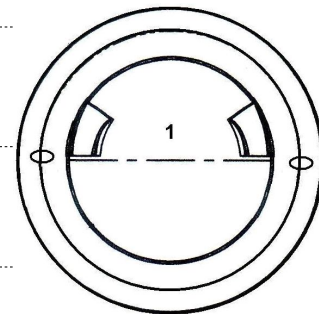
****Manufacturing Process: Extrusion Blow Molding****

****Drawing not exactly to size****

Neck & Thread Detail

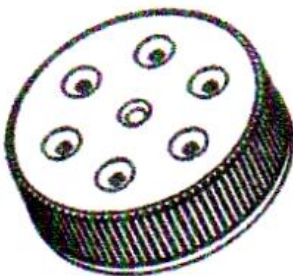


BOTTOM VIEW



33 mm SIFTER CLOSURE

OWENS-BROCKWAY
(Closure 33-P-702)



HDPE



PP

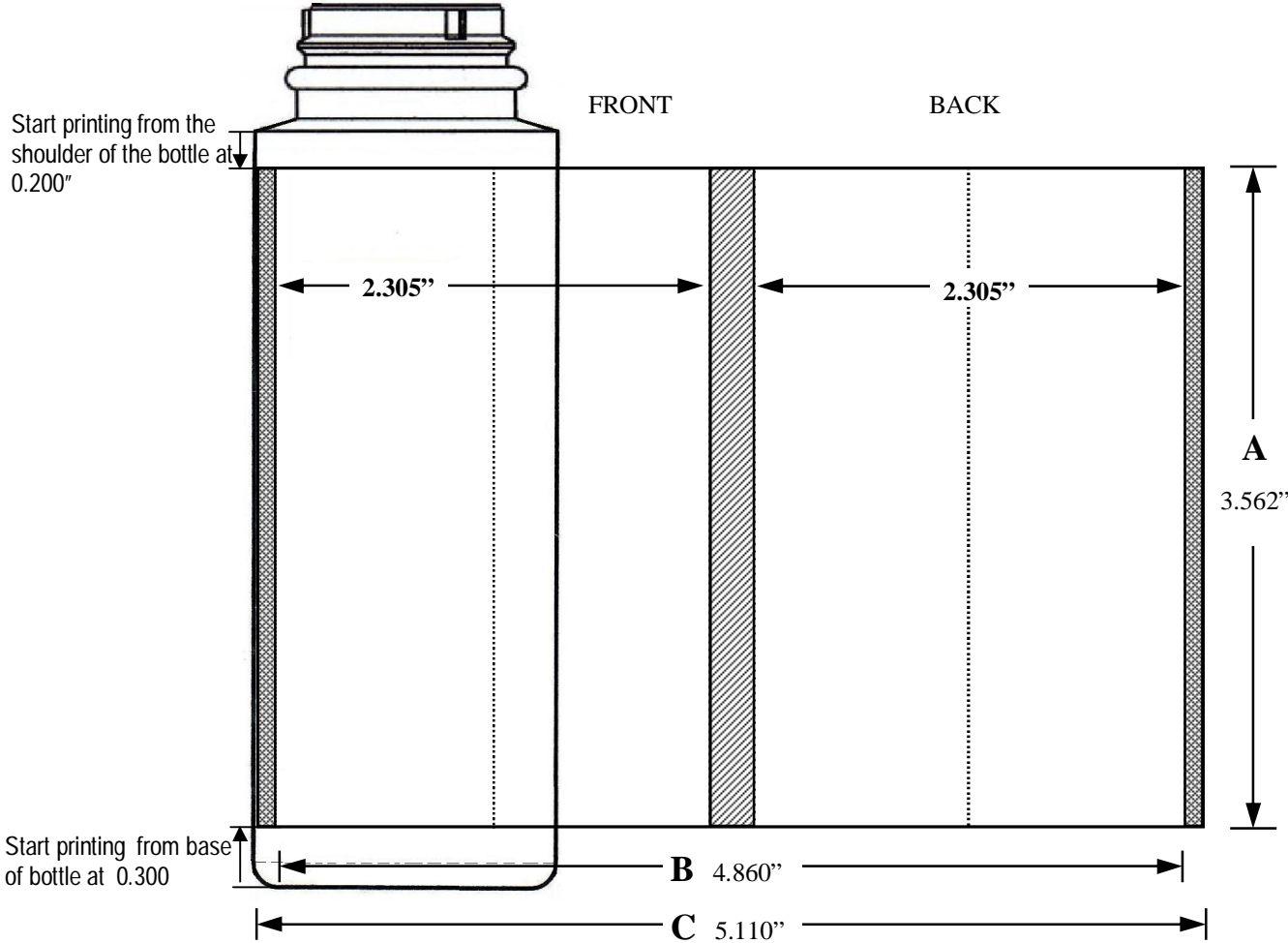


OTHER

4 oz Cylinder Round 33 mm (Powder) Stock Code 00040001033000

Overflow Capacity	127 - 139 ml (4.3 - 4.7 oz)	Base Width (A)	1.625 ± 0.050	Max Print Area (Width)	4.860"	Cases Per Pallet	25
Gram Weight	14.0 ± 1	Overall Height (B)	4.795 ± 0.050	Case Pack	489	Stock Material	HDPE
Neck Finish	33 mm	Max Print Area (Height)	3.562"	Case Weight (lb)	17.2 ± 1.0	Box Dimensions	24 x 17 x 16

4 OZ CYLINDER-POWDER



- A - Total height.
- B - max. decorating area.
- C - Total bottle circumference.
- ▨ - Unprintable area.

4 OZ CYLINDER-POWDER
Labeling area

