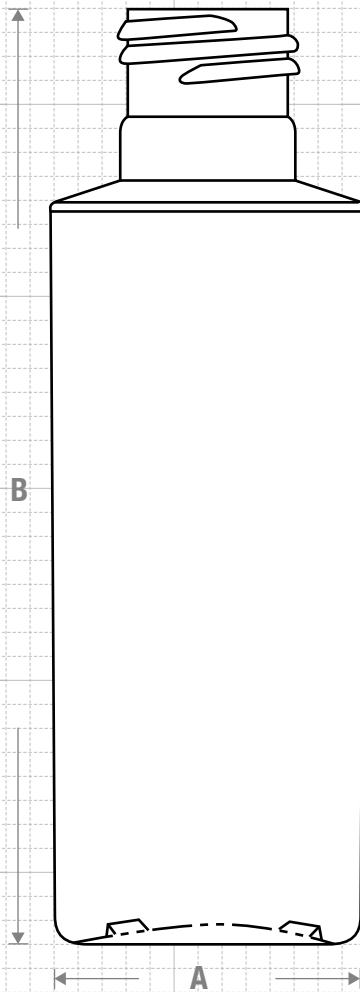




FRONT VIEW



Drawing:
4 oz Cylinder Round 24/415

Stock Code:
000400010251700

Manufacturing Process:
Stretch Blow Molding

Overflow Capacity:
127 - 139 ml (4.3 - 4.7 oz)

Gram Weight:
15 ± 1

Neck Finish:
24/415

Base Width (A):
1.628 ± 0.050

Overall Height (B):
4.930 ± 0.050

Max Print Area (Height):
3.260"

Max Print Area (Width):
4.875"

Case Pack: 489

Case Weight (lb): 18.3 ± 1.0

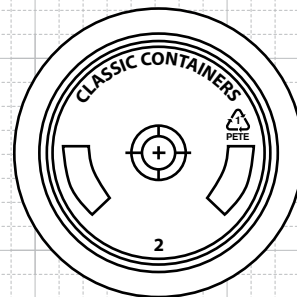
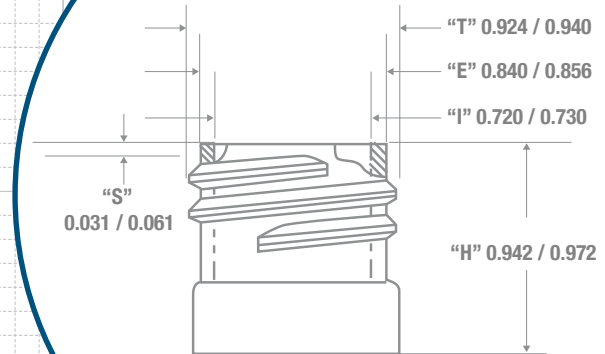
Cases Per Pallet: 25

Box Dimensions:
23 5/8 x15 9/16 x17

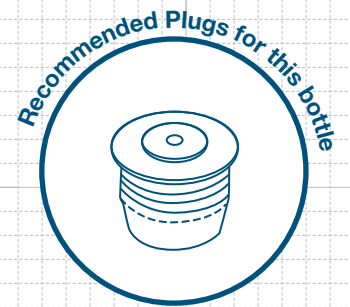
Stock Material:



NECK & THREAD DETAIL



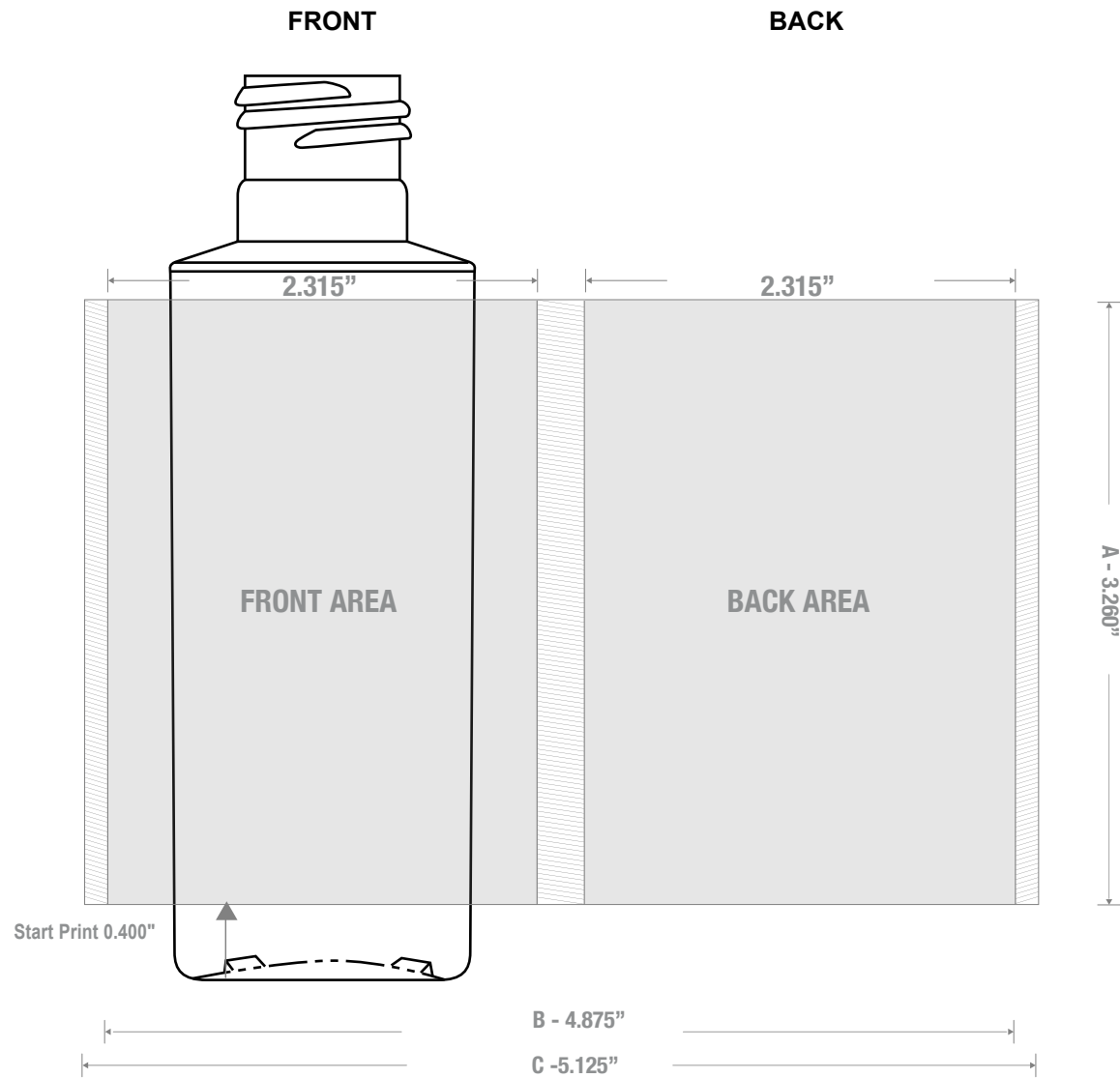
BOTTOM VIEW



FRICION FIT

CLASSIC CONTAINERS INC
1700 S. Hellman Ave.
Ontario, CA 91761
Phone: 909-930-3610
e-mail: info@classiccontainers.com
www.classiccontainers.com

PRINTING SPECIFICATIONS: 4 oz Cylinder Round 24/415



1700 S Hellman Ave, Ontario, California 91761
Phone: (909) 930-3610 | Fax: (909) 930-3640
e-mail: info@classiccontainers.com
www.classiccontainers.com

A - Total Height.
B - Max. Decorating Area.
C - Total bottle circumference.
▨ - Unprintable area.

LABELING SPECIFICATIONS: 4 oz Cylinder Round 24/415



1700 S Hellman Ave, Ontario, California 91761
Phone: (909) 930-3610 | Fax: (909) 930-3640
e-mail: info@classiccontainers.com
www.classiccontainers.com

A - Total Height.
B - Max. Decorating Area.