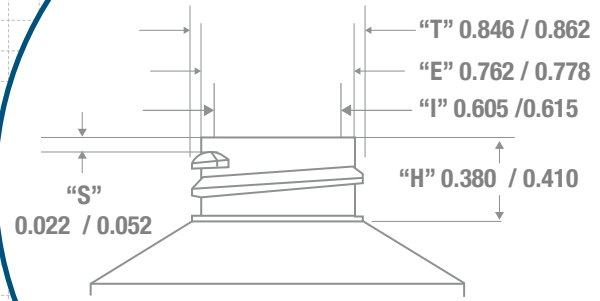
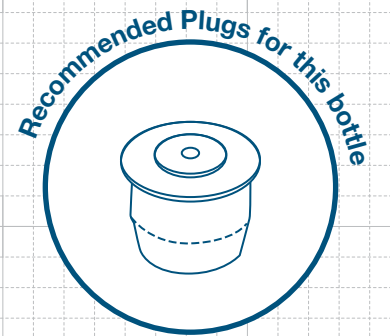
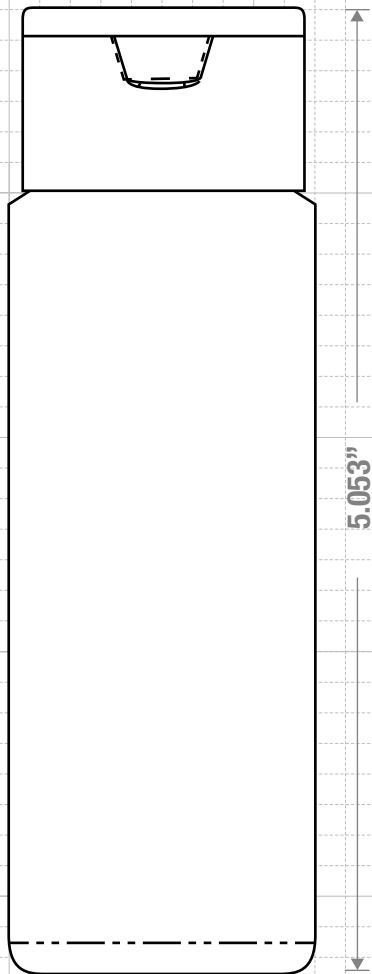
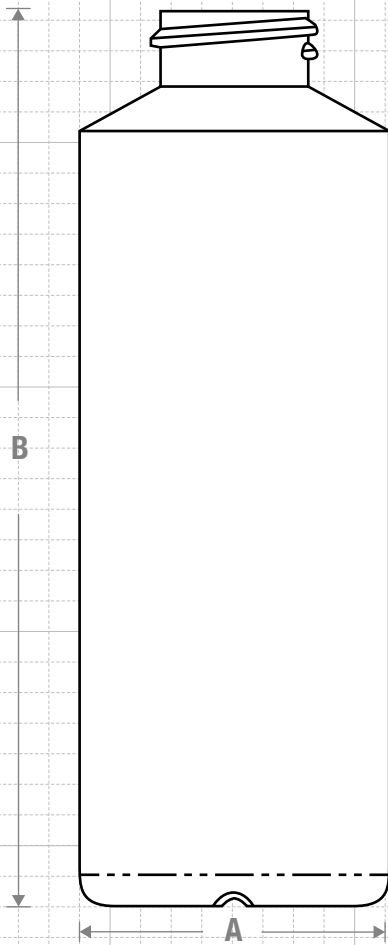




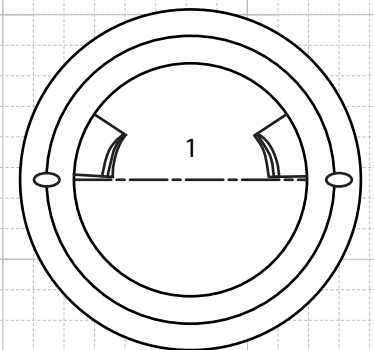
### NECK & THREAD DETAIL



### FRONT VIEW

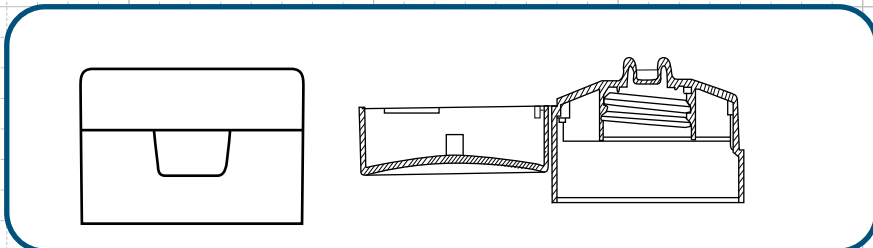


### FRICITION FIT



### BOTTOM VIEW

### Recommended 1" 1/2 Tube Closure for this bottle



**CLASSIC CONTAINERS INC**  
 1700 S. Hellman Ave.  
 Ontario, CA 91761  
 Phone: 909-930-3610  
 e-mail: info@classiccontainers.com  
 www.classiccontainers.com

Drawing:  
**4 oz Cylinder Round 22/400**

Gram Weight:  
**13.0 ± 1 g**

Max Print Area (Height):  
**3.562"**

Cases Per Pallet: **25**

Stock Code:  
**000400010220000**

Neck Finish:  
**22/400**

Max Print Area (Width):  
**4.860"**

Box Dimensions:  
**23 5/8 x 15 9/16 x 17**

Manufacturing Process:  
**Extrusion Blow Molding**

Base Width (A):  
**1.615 ± 0.050**

Case Pack: **489**

Stock Material:



Overflow Capacity:  
**126 - 139 ml (4.3 - 4.7 oz)**

Overall Height (B):  
**4.661 ± 0.050**

Case Weight (lb): **16.1 ± 1.0**

Rev #3 - 05/2016

Drawing not exactly to size.

