



Drawing:
4 oz Cylinder Round 20/410

Stock Code:
000400010201700

Manufacturing Process:
Stretch Blow Molding

Overflow Capacity:
121 - 133 ml (4.1 - 4.5 oz)

Gram Weight:
15 ± 1

Neck Finish:
20/410

Base Width (A):
1.628 ± 0.050

Overall Height (B):
4.542 ± 0.050

Max Print Area (Height):
3.260"

Max Print Area (Width):
4.875"

Case Pack: 528

Case Weight (lb): 19.6 ± 1.2

Cases Per Pallet: 25

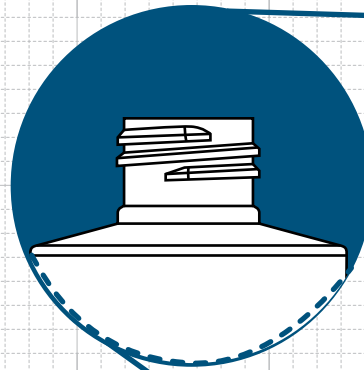
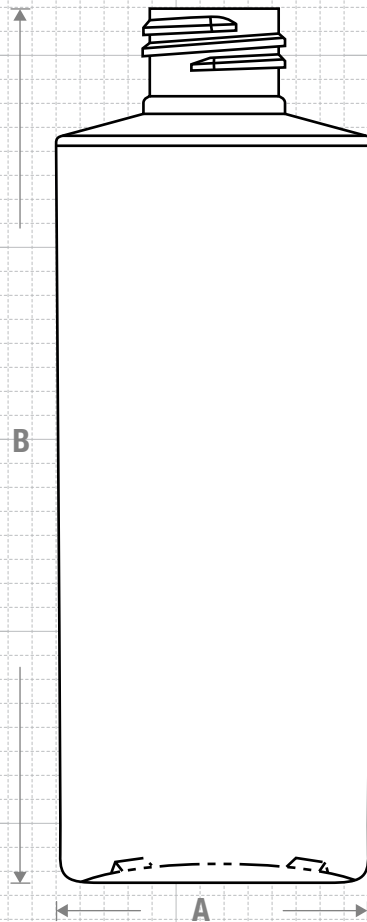
Box Dimensions:
23 5/8 x15 9/16 x17

Stock Material:

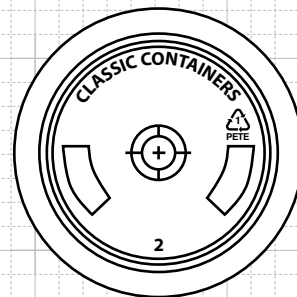
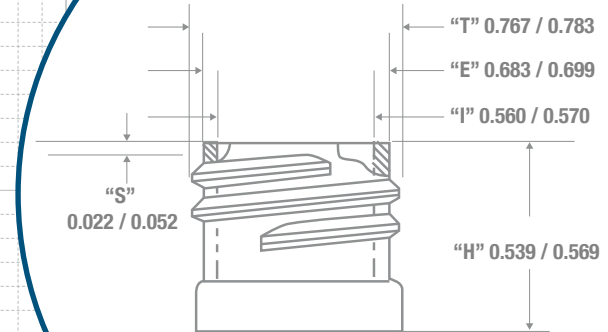


CLASSIC CONTAINERS INC
1700 S. Hellman Ave.
Ontario, CA 91761
Phone: 909-930-3610
e-mail: info@classiccontainers.com
www.classiccontainers.com

FRONT VIEW



NECK & THREAD DETAIL



BOTTOM VIEW

Recommended Plugs for this bottle

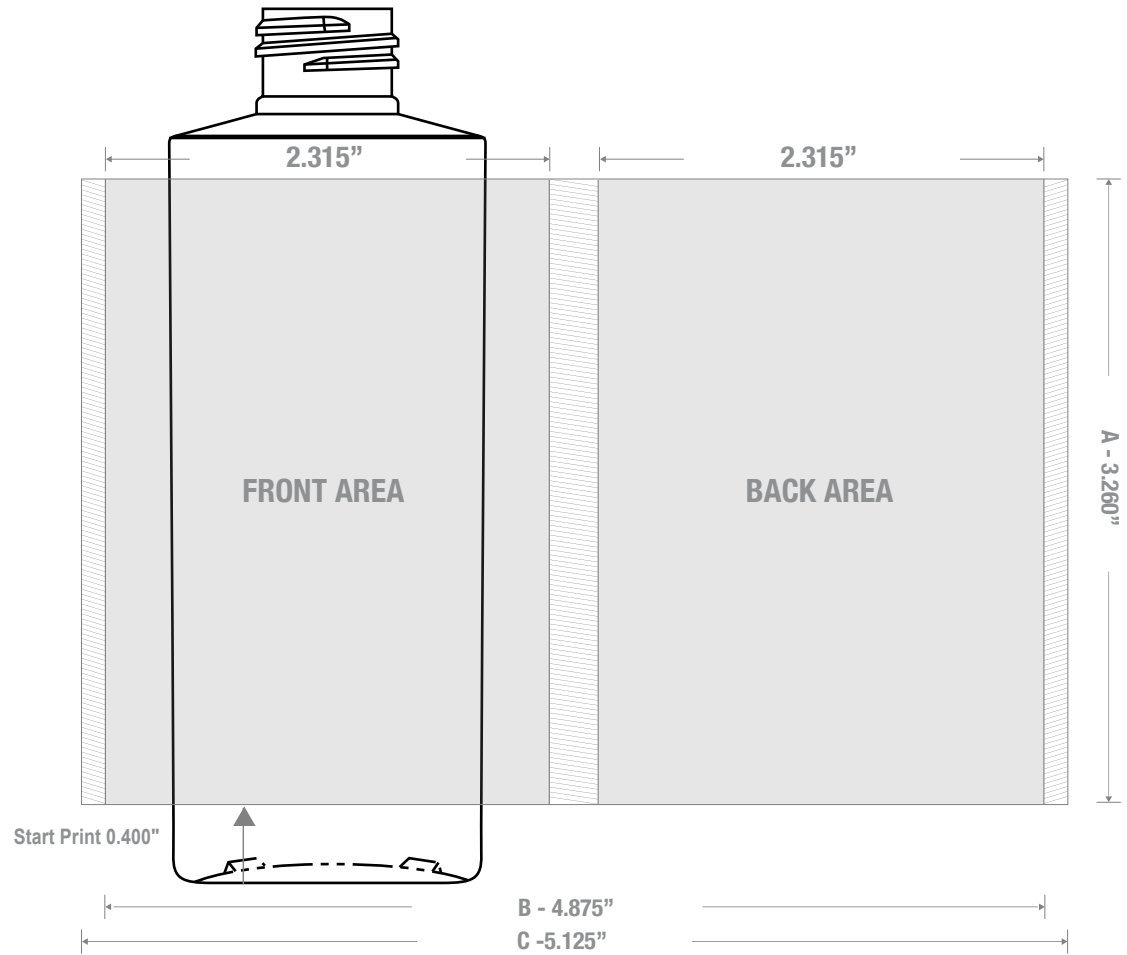


Recommended Plugs for this bottle



FRICITION FIT

PRINTING SPECIFICATIONS: 4 oz Cylinder Round 20/410



1700 S Hellman Ave, Ontario, California 91761
Phone: (909) 930-3610 | Fax: (909) 930-3640
e-mail: info@classiccontainers.com
www.classiccontainers.com

A - Total Height.
B - Max. Decorating Area.
C - Total bottle circumference.
▨ - Unprintable area.

LABELING SPECIFICATIONS: 4 oz Cylinder Round 20/410



**LASSIC
CONTAINERS
Inc.**

1700 S Hellman Ave, Ontario, California 91761
Phone: (909) 930-3610 | Fax: (909) 930-3640
e-mail: info@classiccontainers.com
www.classiccontainers.com

A - Total Height.
B - Max. Decorating Area.