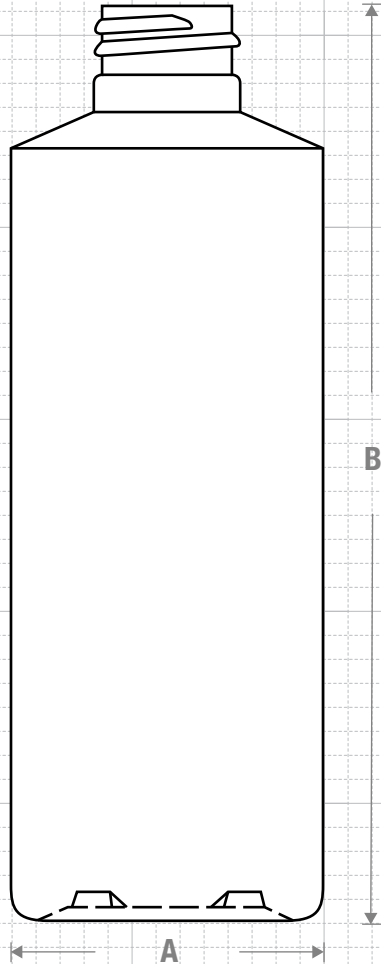




### FRONT VIEW



Drawing:  
4 oz Cylinder Round 20/410

Stock Code:  
00040001020000

Manufacturing Process:  
Extrusion Blow Molding

Overflow Capacity:  
124 - 136 ml (4.2 - 4.6 oz)

Gram Weight:  
14 ± 1

Neck Finish:  
20/410

Base Width (A):  
1.625 ± 0.050

Overall Height (B):  
4.765 ± 0.050

Max Print Area (Height):  
3.562"

Max Print Area (Width):  
4.860"

Case Pack: 489

Case Weight (lb): 17.2 ± 1.1

Cases Per Pallet: 25

Box Dimensions:  
23 5/8 x 15 9/16 x 17

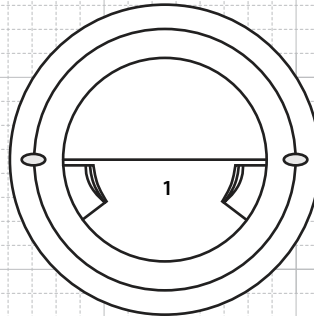
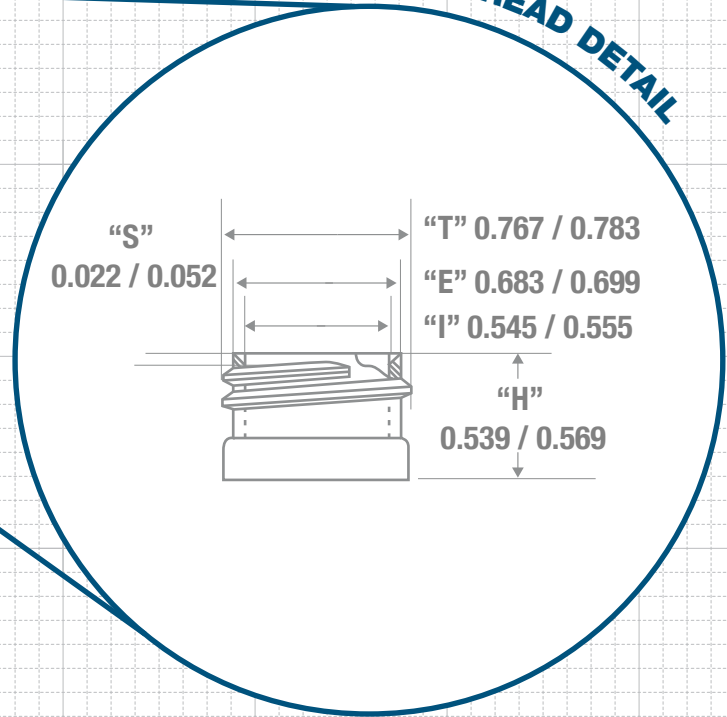
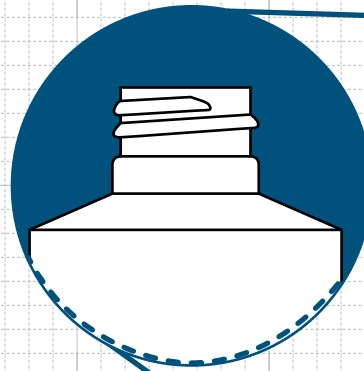
Stock Material:



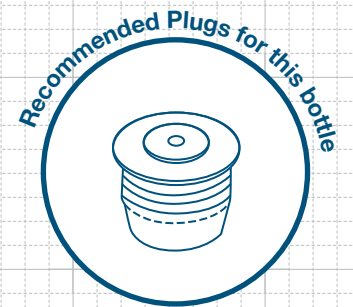
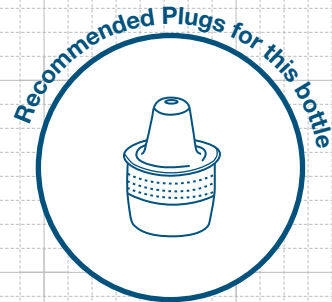
**CLASSIC CONTAINERS INC**  
1700 S. Hellman Ave.  
Ontario, CA 91761  
Phone: 909-930-3610  
e-mail: info@classiccontainers.com  
www.classiccontainers.com



### NECK & THREAD DETAIL

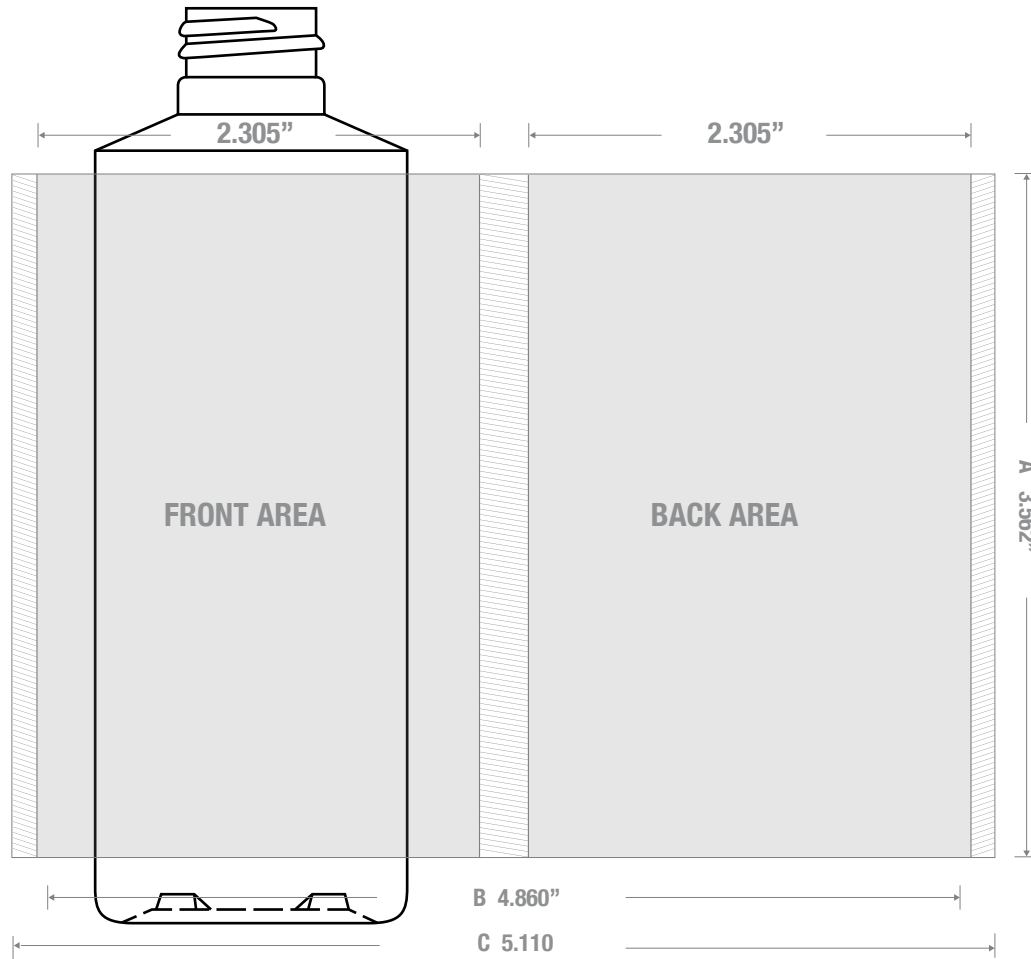


### BOTTOM VIEW



### FRICTION FIT

# PRINTING SPECIFICATIONS: 4 oz CYLINDER ROUND 24/410



1700 S Hellman Ave, Ontario, California 91761  
Phone: (909) 930-3610 | Fax: (909) 930-3640  
e-mail: [info@classiccontainers.com](mailto:info@classiccontainers.com)  
[www.classiccontainers.com](http://www.classiccontainers.com)

A - Total Height.  
B - Max. Decorating Area.  
C - Total bottle circumference.  
▨ - Unprintable area.

# LABELING SPECIFICATIONS: 4 oz CYLINDER ROUND 24/410



1700 S Hellman Ave, Ontario, California 91761  
Phone: (909) 930-3610 | Fax: (909) 930-3640  
e-mail: [info@classiccontainers.com](mailto:info@classiccontainers.com)  
[www.classiccontainers.com](http://www.classiccontainers.com)

**A - Total Height.**  
**B - Total bottle circumference.**