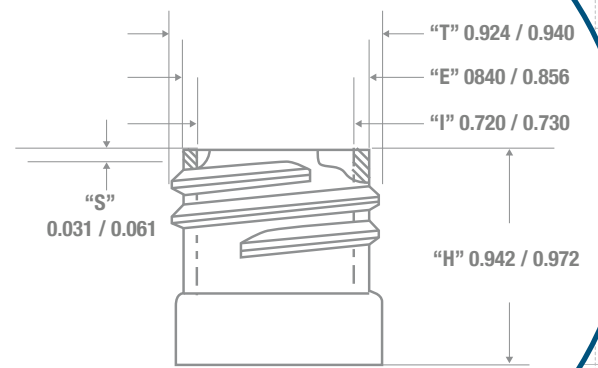


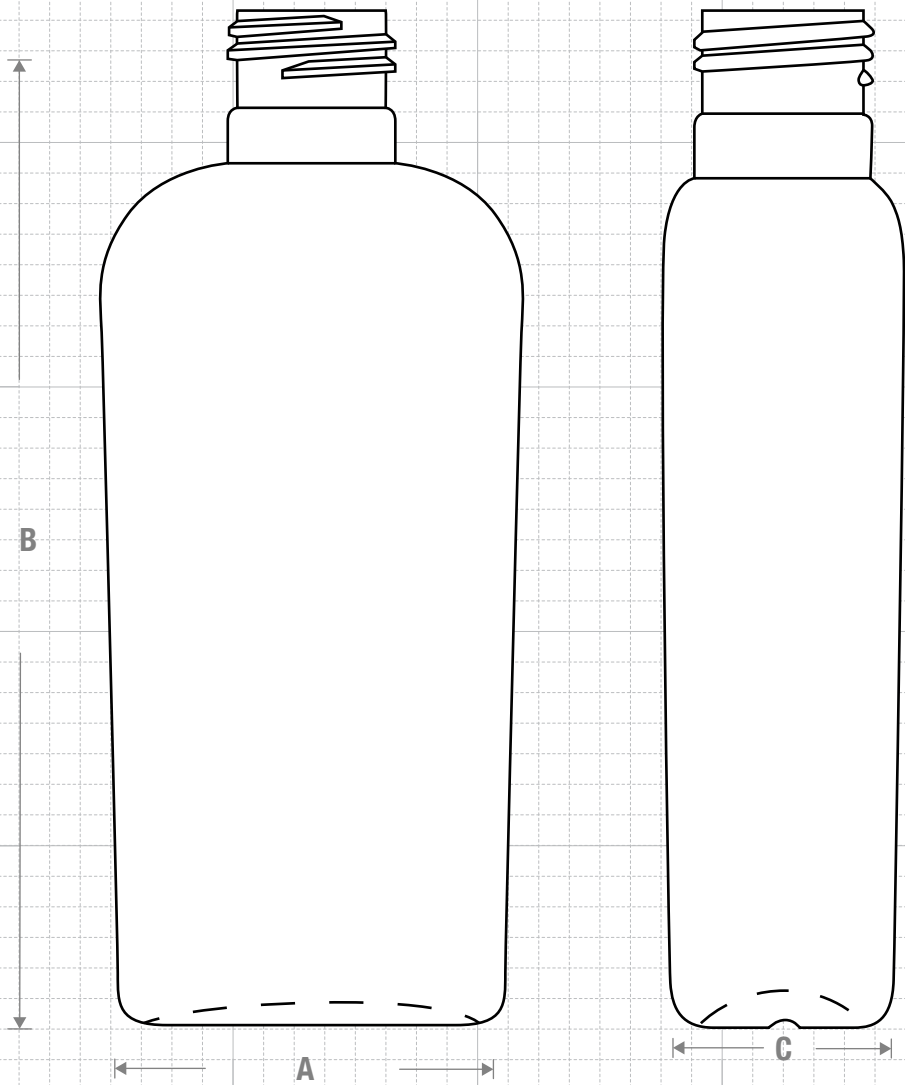


NECK & THREAD DETAIL



FRONT VIEW

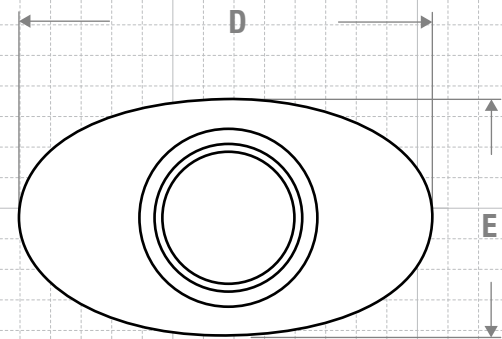
SIDE VIEW



Recommended Plugs for this bottle

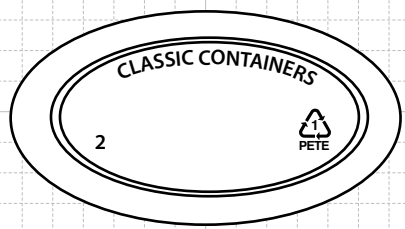


FRICITION FIT



TOP VIEW

D Shoulder Width: 2.157 ± 0.050
 E Shoulder Depth: 1.285 ± 0.050



BOTTOM VIEW



CLASSIC CONTAINERS INC
 1700 S. Hellman Ave.
 Ontario, CA 91761
 Phone: 909-930-3610
 e-mail: info@classiccontainers.com
 www.classiccontainers.com

Drawing: 4 oz Classic Oval 24/415	Gram Weight: 15 ± 1	Max Print Area (Height): 3.400"	Cases Per Pallet: 25
Stock Code: 000400230251700	Neck Finish: 24/415	Max Print Area (Width): 1.300"	Box Dimensions: 23 5/8 x 15 9/16 x 17
Manufacturing Process: Stretch Blow Molding	Base Width (A) BaseDeep (C): 2.033± 0.050 1.124± 0.050	Case Pack: 441	Stock Material:
Overflow Capacity: 136 - 148 ml (4.6 - 5.0 oz)	Overall Height (B): 5.358 ± 0.050	Case Weight (lb): 17.5 ± 1.0	Rev #2 03/2016 Drawing not exactly to size.

