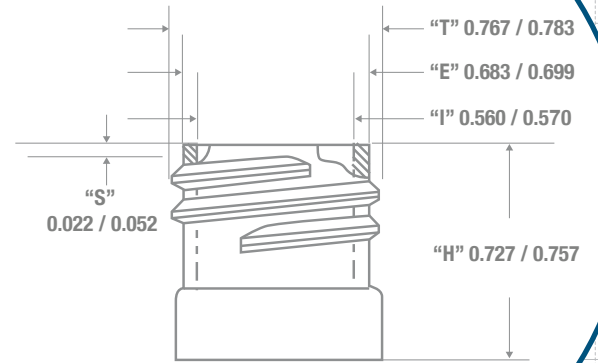


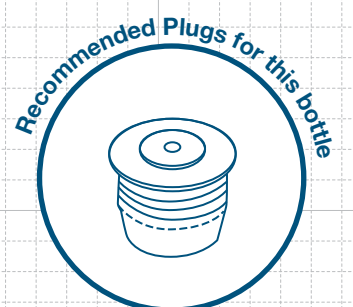
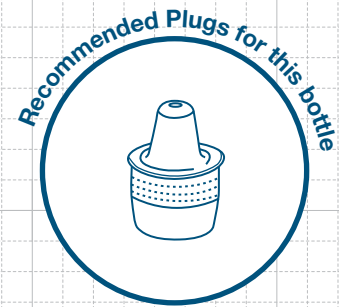
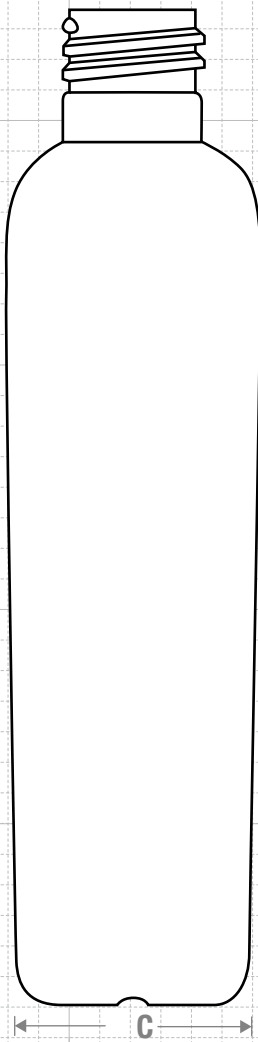
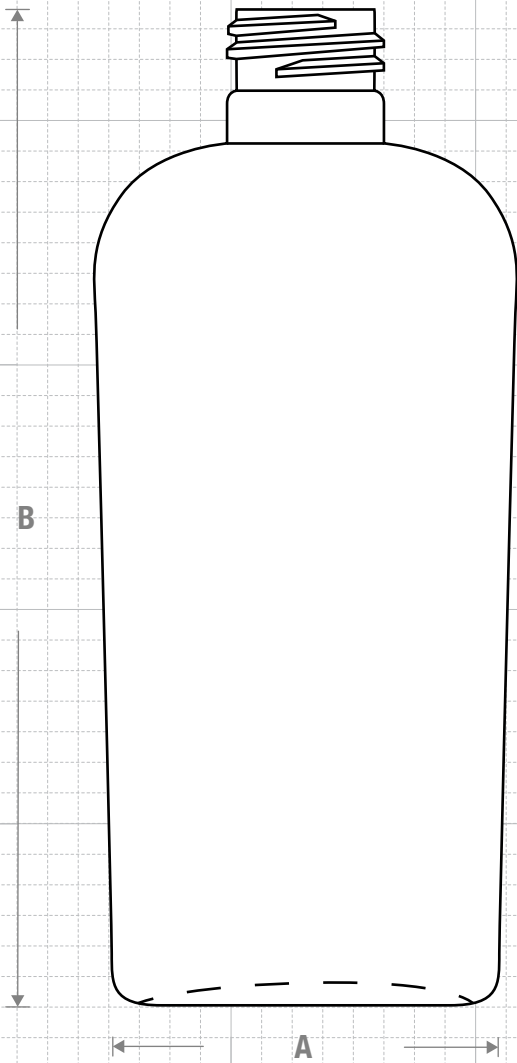


NECK & THREAD DETAIL

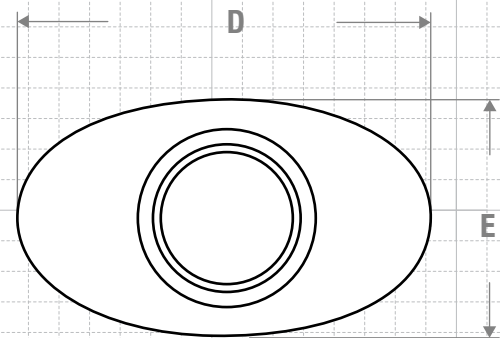


FRONT VIEW

SIDE VIEW



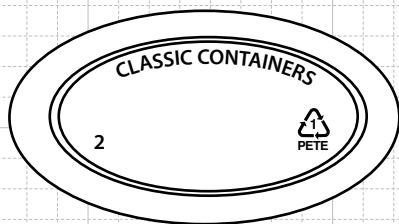
FRICTION FIT



TOP VIEW

D Shoulder Width: 2.157±0.050

E Shoulder Depth: 1.285±0.050



BOTTOM VIEW



CLASSIC CONTAINERS INC
 1700 S. Hellman Ave.
 Ontario, CA 91761
 Phone: 909-930-3610
 e-mail: info@classiccontainers.com
 www.classiccontainers.com

Drawing: 4 oz Classic Oval 20/415

Gram Weight: 15 ± 1

Max Print Area (Height): 3.400"

Cases Per Pallet: 25

Stock Code: 000400230211700

Neck Finish: 20/415

Max Print Area (Width): 1.300"

Box Dimensions: 23 5/8 x 15 9/16 x 17

Manufacturing Process: Stretch Blow Molding

Base Width (A) Base Deep (C): 2.033 ± 0.050 1.124 ± 0.050

Case Pack: 474

Stock Material:



Overflow Capacity: 129 -142 ml (4.4- 4.8 oz)

Overall Height (B): 5.143 ± 0.050

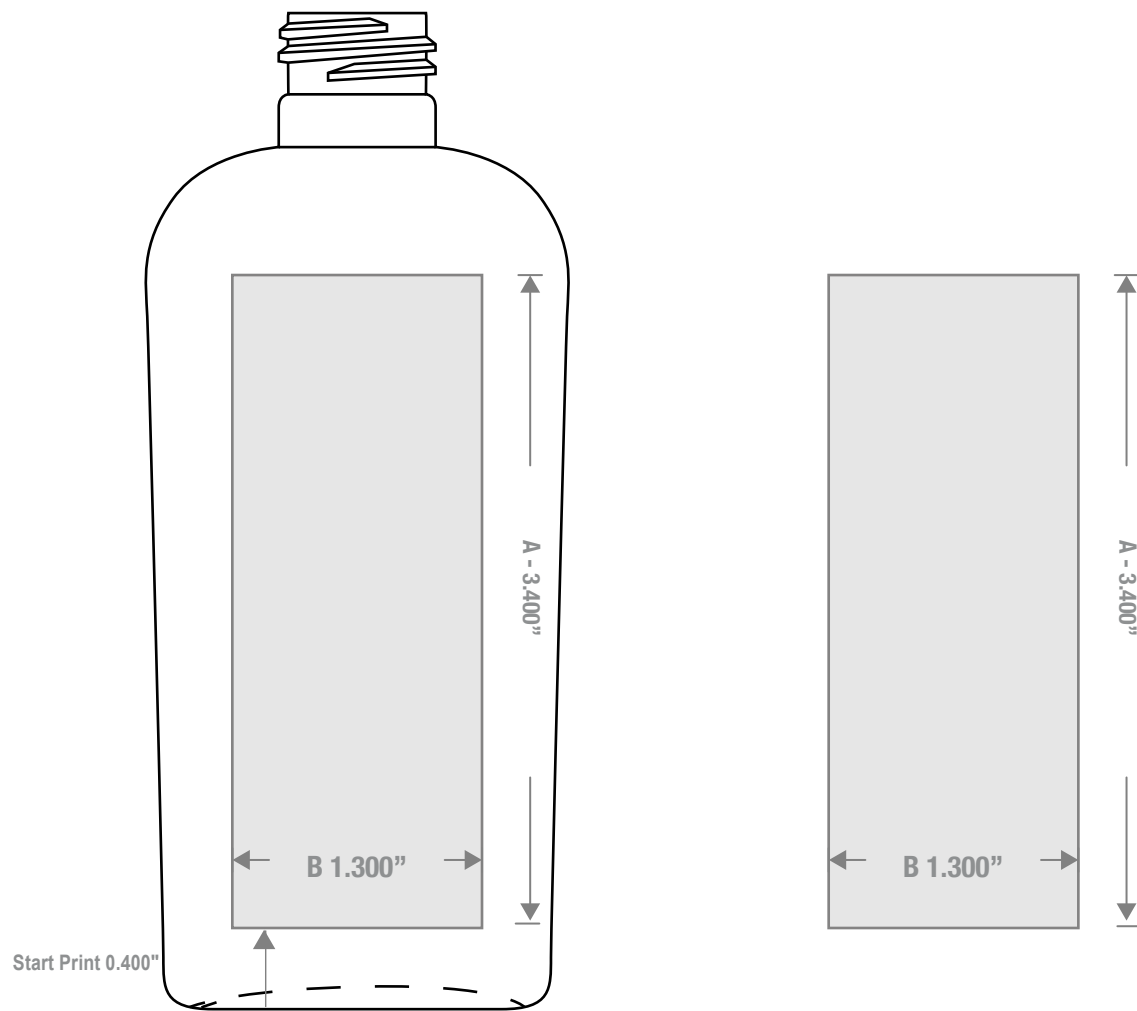
Case Weight (lb): 17.8 ± 1.0

Rev #3 09/2020

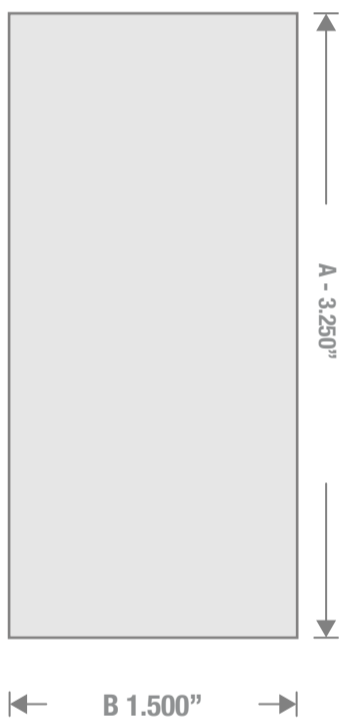
Drawing not exactly to size.

FRONT

BACK



FRONT



BACK

