



FRONT VIEW



Drawing:
4 oz Boston Round Tall
24/410

Stock Code:
000401070240000

Manufacturing Process:
Extrusion Blow Molding

Overflow Capacity:
124 - 133 ml (4.2 - 4.5 oz)

Gram Weight:
12.0 ± 1

Neck Finish:
24/410

Base Width (A):
1.774 ± 0.050

Overall Height (B):
4.360 ± 0.050

Max Print Area (Height):
2.650"

Max Print Area (Width):
5.350"

Case Pack: **500**

Case Weight (lb): **15.3 ± 1.10**

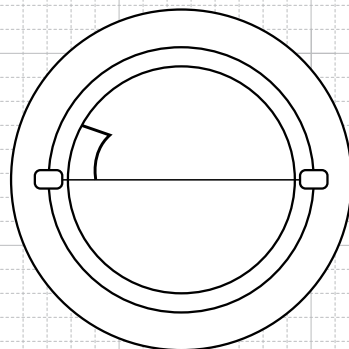
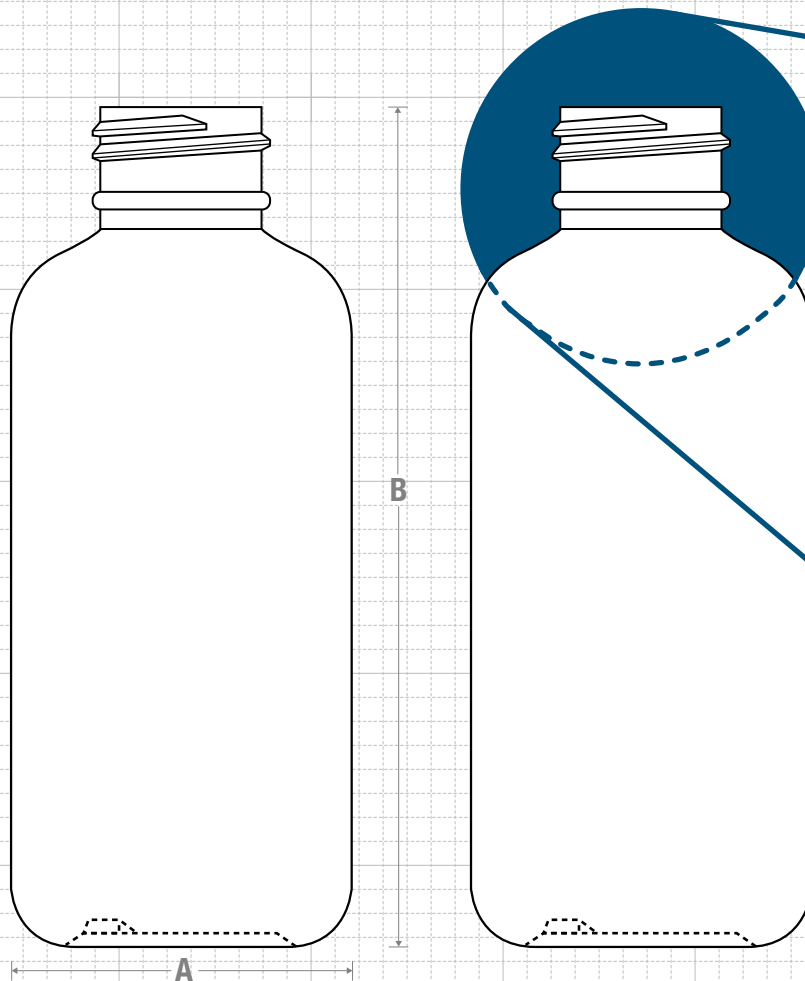
Cases Per Pallet: **25**

Box Dimensions:
23 5/8 x 15 9/16 x 17

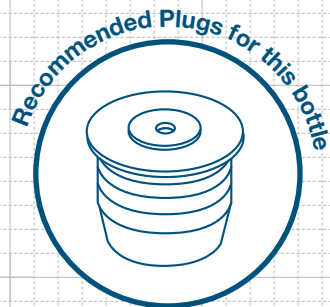
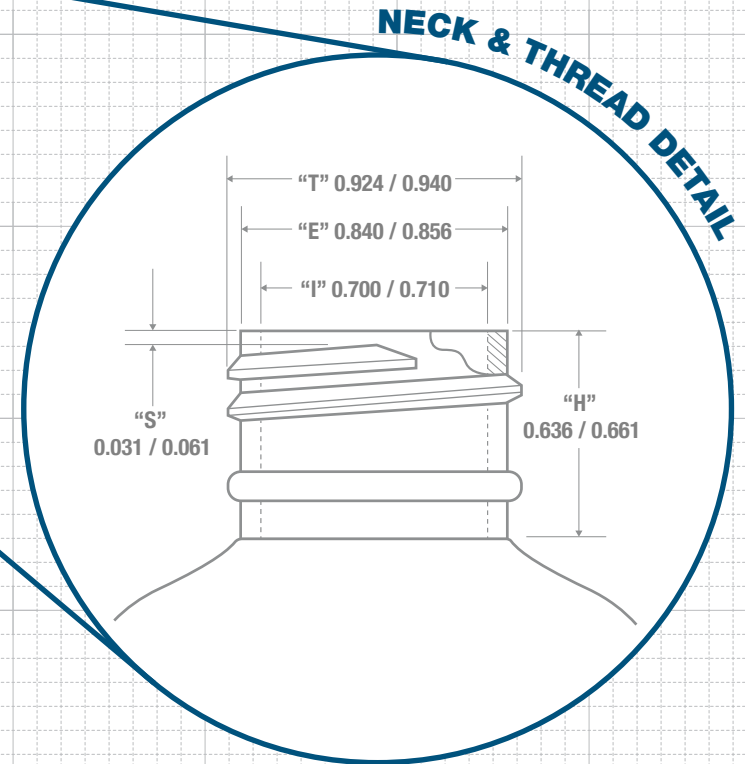
Stock Material:



CLASSIC CONTAINERS INC
1700 S. Hellman Ave.
Ontario, CA 91761
Phone: 909-930-3610
e-mail: info@classiccontainers.com
www.classiccontainers.com

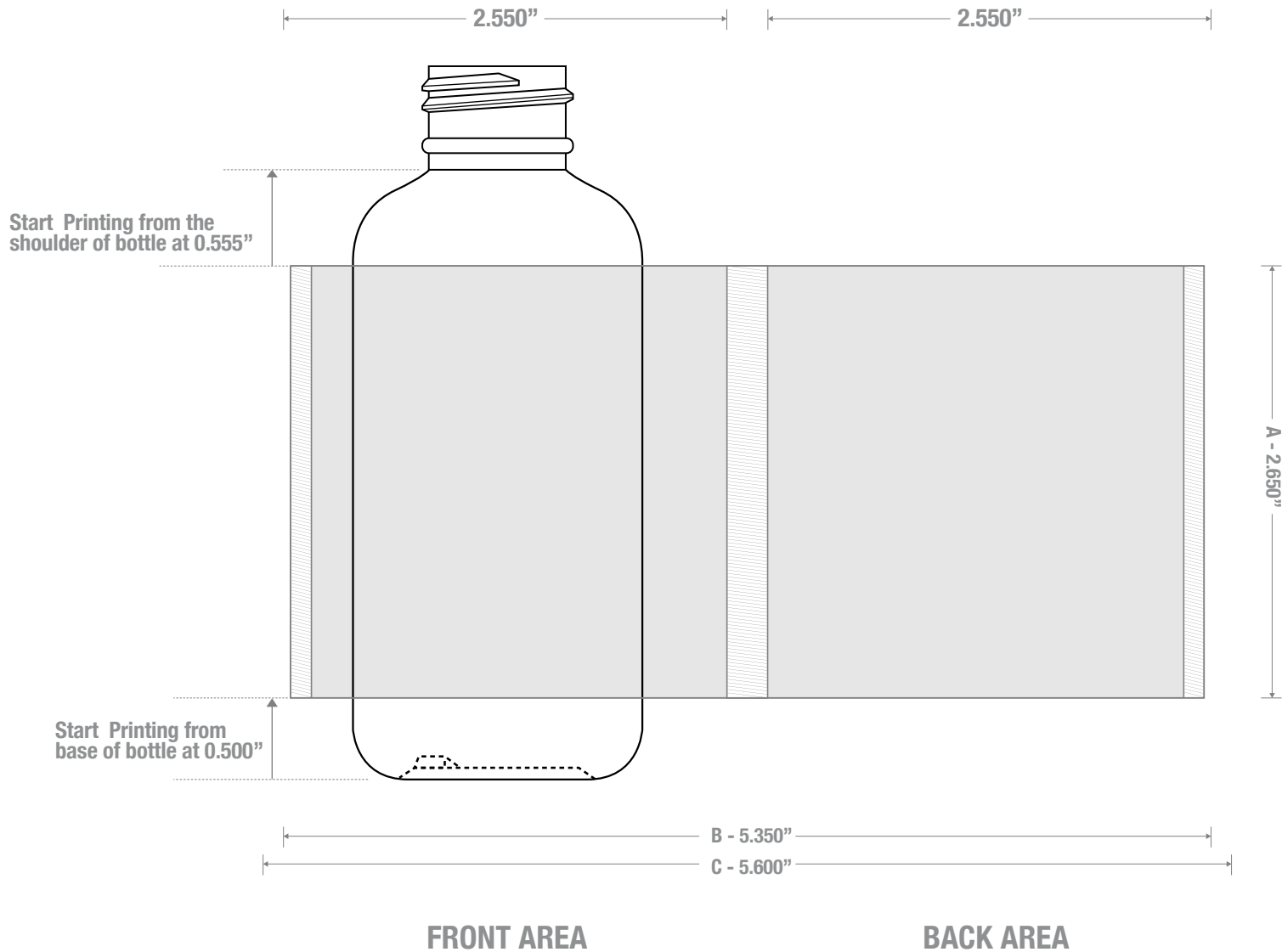


BOTTOM VIEW



FRICITION FIT

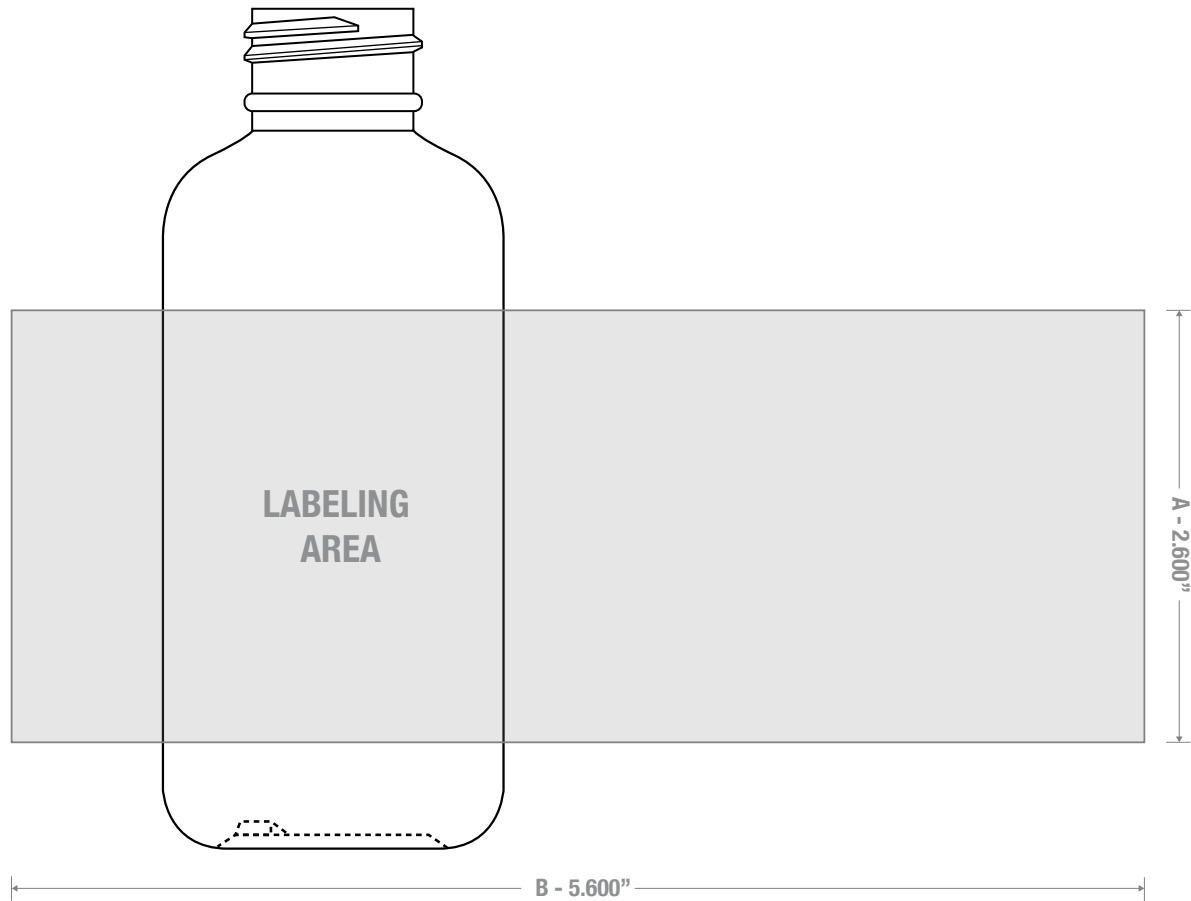
PRINTING SPECIFICATIONS: 4 oz BOSTON ROUND TALL



1700 S Hellman Ave, Ontario, California 91761
Phone: (909) 930-3610 | Fax: (909) 930-3640
e-mail: info@classiccontainers.com
www.classiccontainers.com

A - Total Height.
B - Max. Decorating Area.
C - Total bottle circumference.
▨ - Unprintable area.

LABELING SPECIFICATIONS: 4 oz BOSTON ROUND TALL



1700 S Hellman Ave, Ontario, California 91761
Phone: (909) 930-3610 | Fax: (909) 930-3640
e-mail: info@classiccontainers.com
www.classiccontainers.com

A - Total Height.
B - Max. Decorating Area.