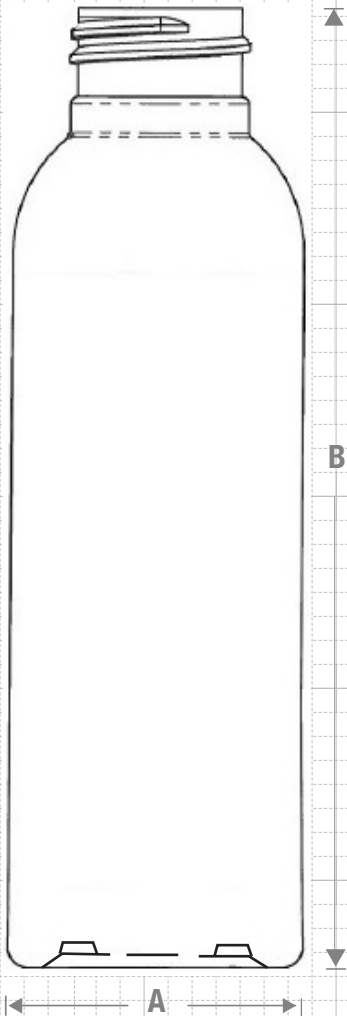




FRONT VIEW



Drawing:
**3oz Imperial Round
24/410**

Stock Code:
000300050240000

Manufacturing Process:
Extrusion Blow Molding

Overflow Capacity:
107.7-114.2 ml (3.65- 3.87 oz)

Gram Weight:
13.0 ± 1

Neck Finish:
24/410

Base Width (A):
1.510 ± 0.050

Overall Height (B):
4.868 ± 0.05

Max Print Area (Height):

Max Print Area (Width):

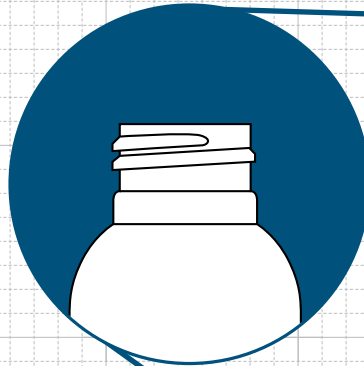
Case Pack: **558**

Case Weight (lb): **18.1 ± 1.2**

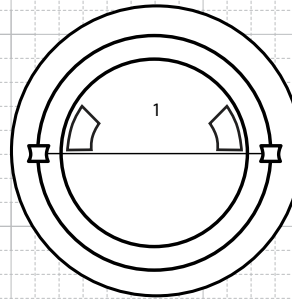
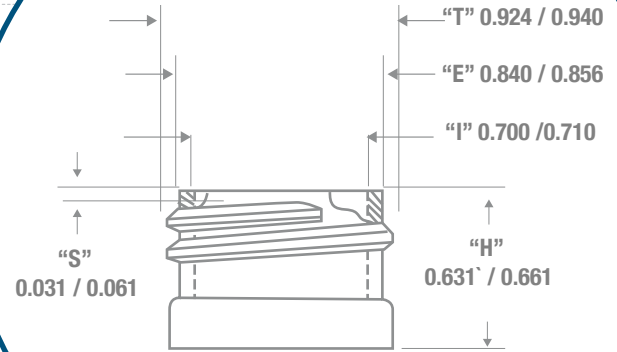
Cases Per Pallet: **25**

Box Dimensions:
23 5/8 x15 9/16 x17

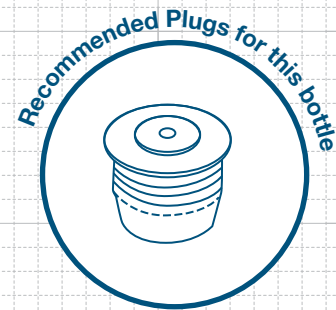
Stock Material:



NECK & THREAD DETAIL



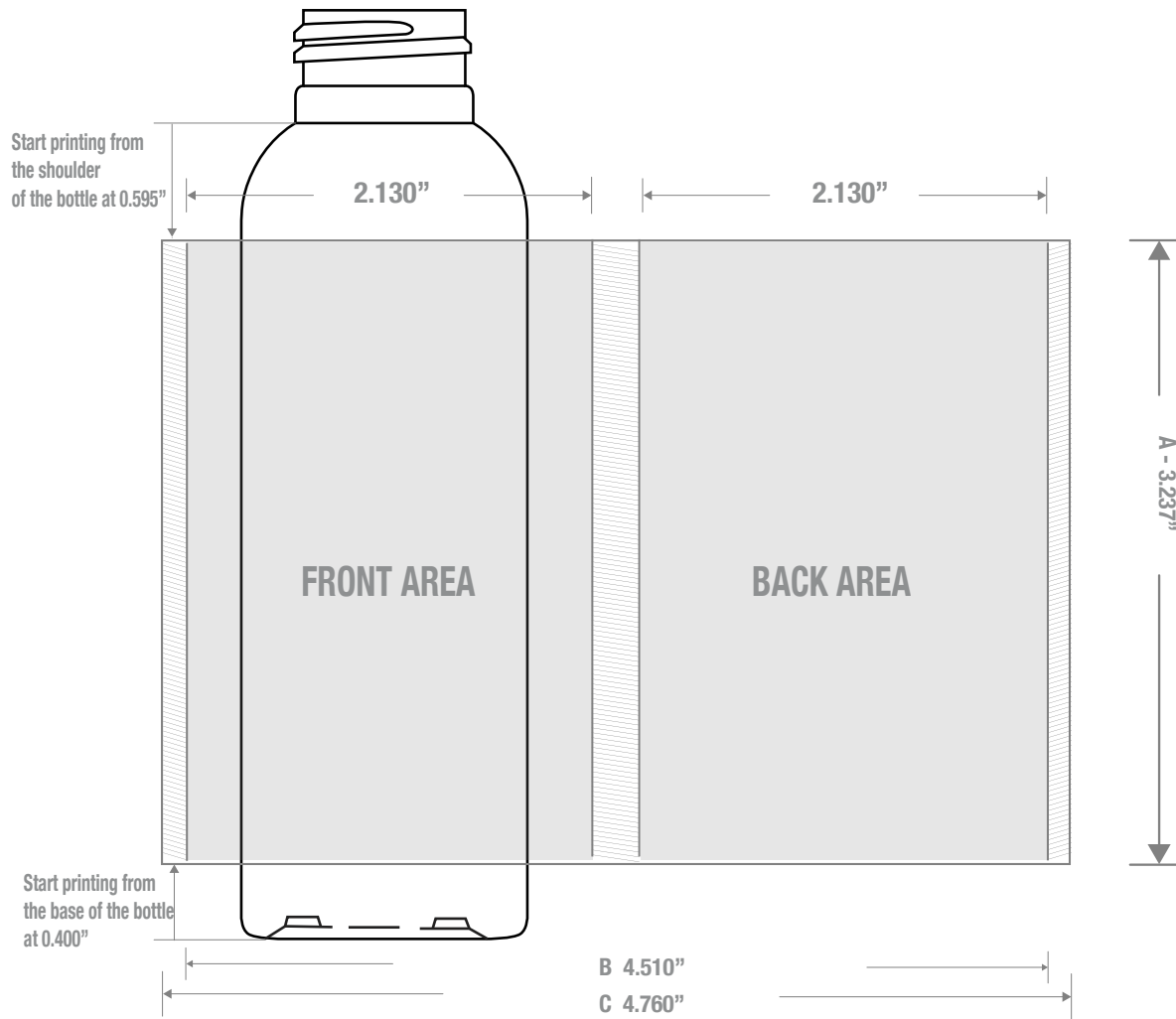
BOTTOM VIEW



FRICITION FIT

CLASSIC CONTAINERS INC
1700 S. Hellman Ave.
Ontario, CA 91761
Phone: 909-930-3610
e-mail: info@classiccontainers.com
www.classiccontainers.com

PRINTING SPECIFICATIONS: 3oz IMPERIAL ROUND 24/410



1700 S Hellman Ave, Ontario, California 91761
Phone: (909) 930-3610 | Fax: (909) 930-3640
e-mail: info@classiccontainers.com
www.classiccontainers.com

A - Total Height.
B - Max. Decorating Area.
C - Total bottle circumference.
☐ - Unprintable area.