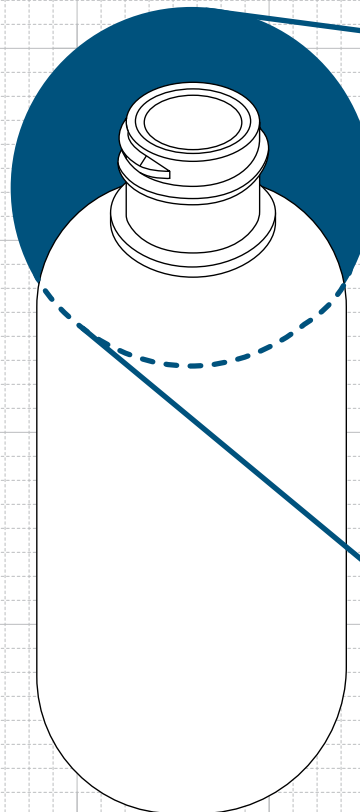
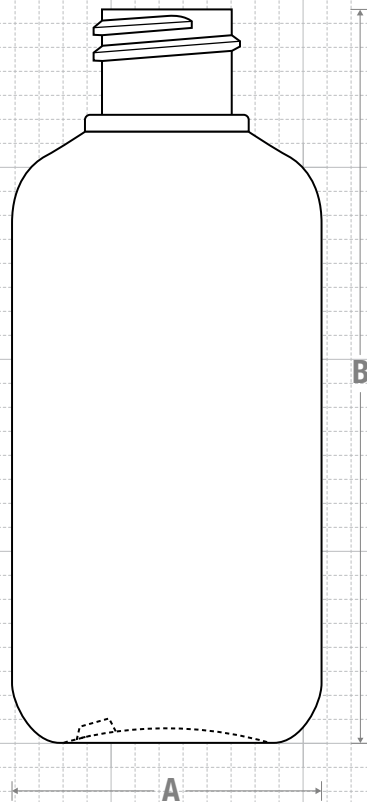
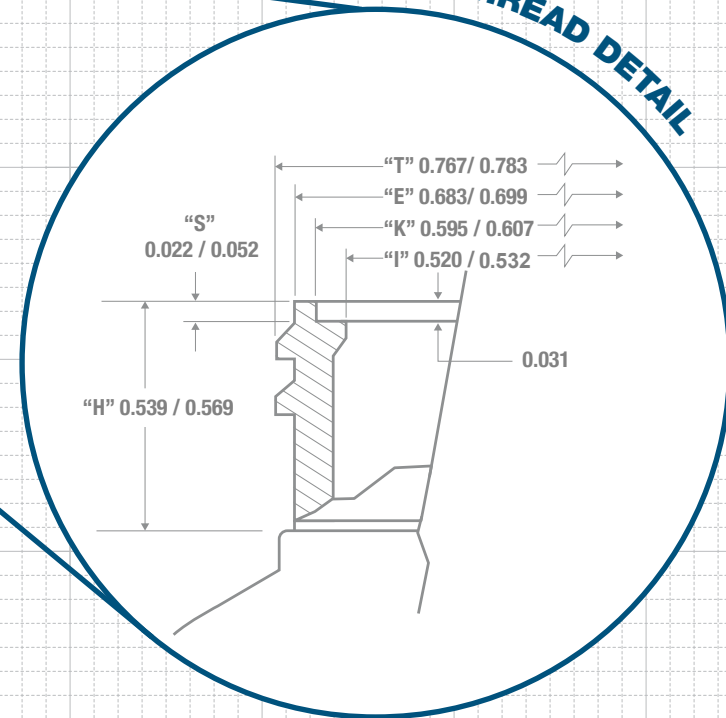




FRONT VIEW



NECK & THREAD DETAIL



Drawing:
**3 oz Boston Round 20/410
IBM**

Stock Code:
00030006020000

Manufacturing Process:
Injection Blow Molding

Overflow Capacity:
91 - 100 ml (3.1 - 3.4 oz)

Gram Weight:
9.0 ± 1

Neck Finish:
20/410

Base Width (A):
1.612 ± 0.050

Overall Height (B):
3.820 ± 0.050

Max Print Area (Height):
2.055"

Max Print Area (Width):
4.832"

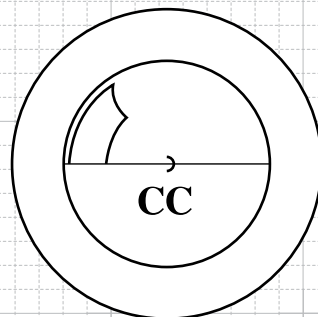
Case Pack: **628**

Case Weight (lb): **14.6 ± 1.4**

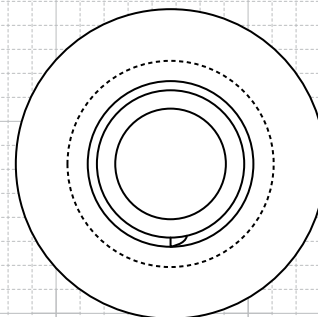
Cases Per Pallet: **25**

Box Dimensions:
24 x 17 x 16

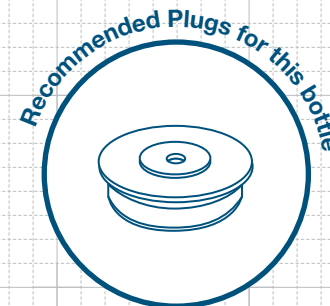
Stock Material:



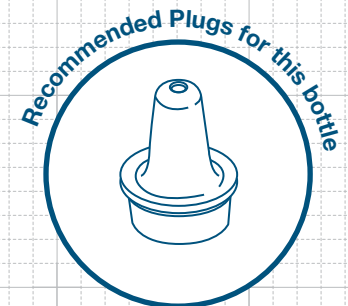
BOTTOM VIEW



TOP VIEW



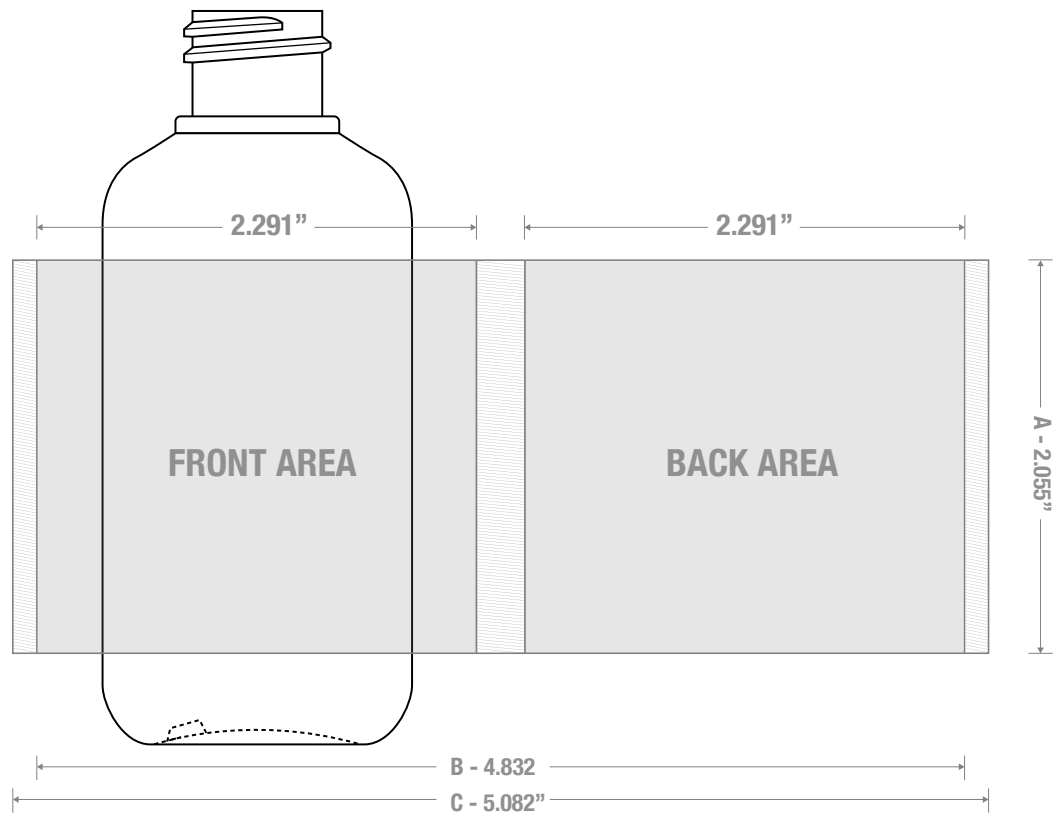
SNAP FIT



SNAP FIT

CLASSIC CONTAINERS INC
1700 S. Hellman Ave.
Ontario, CA 91761
Phone: 909-930-3610
e-mail: info@classiccontainers.com
www.classiccontainers.com

PRINTING SPECIFICATIONS: 3 oz BOSTON ROUND



**LASSIC
CONTAINERS
Inc.**

1700 S Hellman Ave, Ontario, California 91761
Phone: (909) 930-3610 | Fax: (909) 930-3640
e-mail: info@classiccontainers.com
www.classiccontainers.com

A - Total Height.
B - Max. Decorating Area.
C - Total bottle circumference.
▨ - Unprintable area.

LABELING SPECIFICATIONS: 3 oz BOSTON ROUND



1700 S Hellman Ave, Ontario, California 91761
Phone: (909) 930-3610 | Fax: (909) 930-3640
e-mail: info@classiccontainers.com
www.classiccontainers.com

A - Total Height.
B - Total bottle circumference.