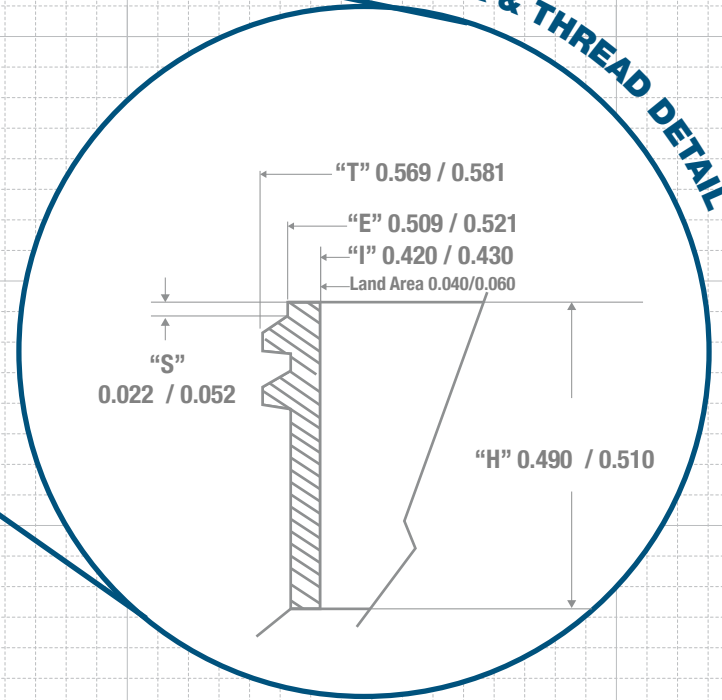
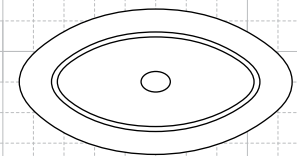
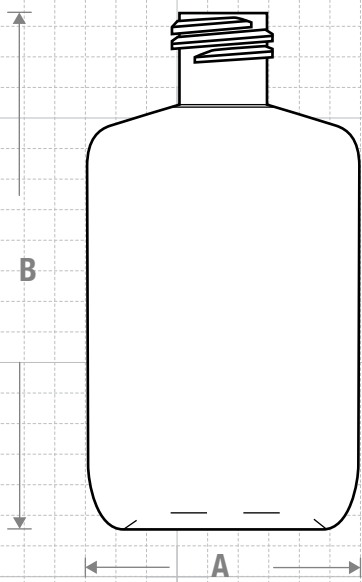


NECK & THREAD DETAIL



FRONT VIEW



BOTTOM VIEW



CLASSIC CONTAINERS INC
1700 S. Hellman Ave.
Ontario, CA 91761
Phone: 909-930-3610
e-mail: info@classiccontainers.com
www.classiccontainers.com

Drawing:
3/4 oz Drug Oval 15/415

Gram Weight:
6 ± 0.5

Max Print Area (Height):
1.625"

Cases Per Pallet: **25**

Stock Code:
034F00210150000

Neck Finish:
15/415

Max Print Area (Width):
1.000"

Box Dimensions:
23 5/8 x 15 9/16 x 17

Manufacturing Process:
Injection Blow Molding

Base Width (A): Base Deep (C)
1.460 ± 0.050 0.782 ± 0.050

Case Pack: **2208**

Stock Material:



Overflow Capacity:
25.1 - 26.5 ml (0.85 - 0.90 oz)

Overall Height (B):
2.710 ± 0.050

Case Weight (lb): **31.3 ± 4.9**

Rev #1 - 06/2016

Drawing not exactly to size.

FRONT

BACK

