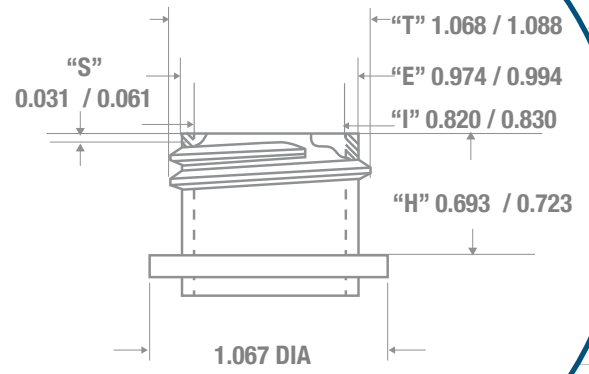
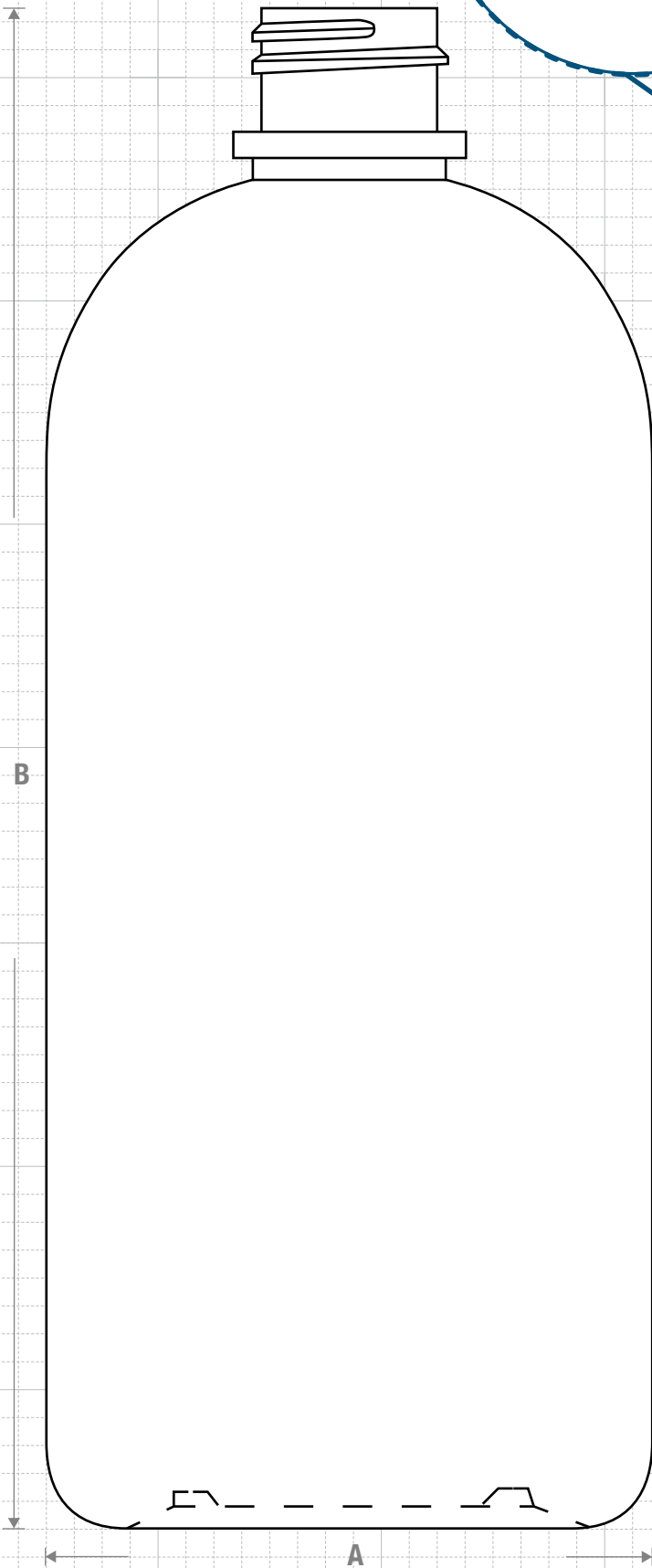




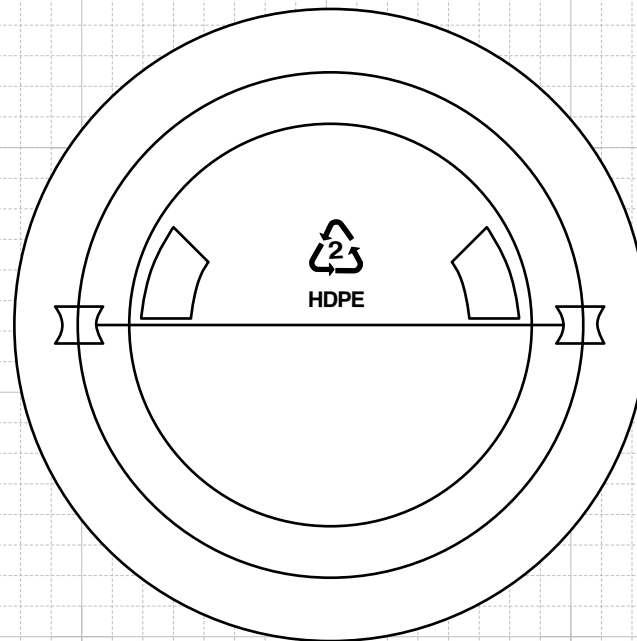
NECK & THREAD DETAIL



FRONT VIEW



BOTTOM VIEW



CLASSIC CONTAINERS INC
 1700 S. Hellman Ave.
 Ontario, CA 91761
 Phone: 909-930-3610
 e-mail: info@classiccontainers.com
 www.classiccontainers.com

Drawing:
32 oz Royalty Round 28/410 w/Ring

Stock Code:
0032000428R0000

Manufacturing Process:
Extrusion Blow Molding

Overflow Capacity:
1000 - 1027 ml (34.0 - 34.8 oz)

Gram Weight:
55.0 ± 2

Neck Finish:
28/410 w/Ring

Base Width (A):
3.365 ± 0.05

Overall Height (B):
8.700 ± 0.05

Max Print Area (Height):
5.500"

Max Print Area (Width):
10.063"

Case Pack: **108**

Case Weight (lb): **16.0 ± 0.5**

Cases Per Pallet: **16**

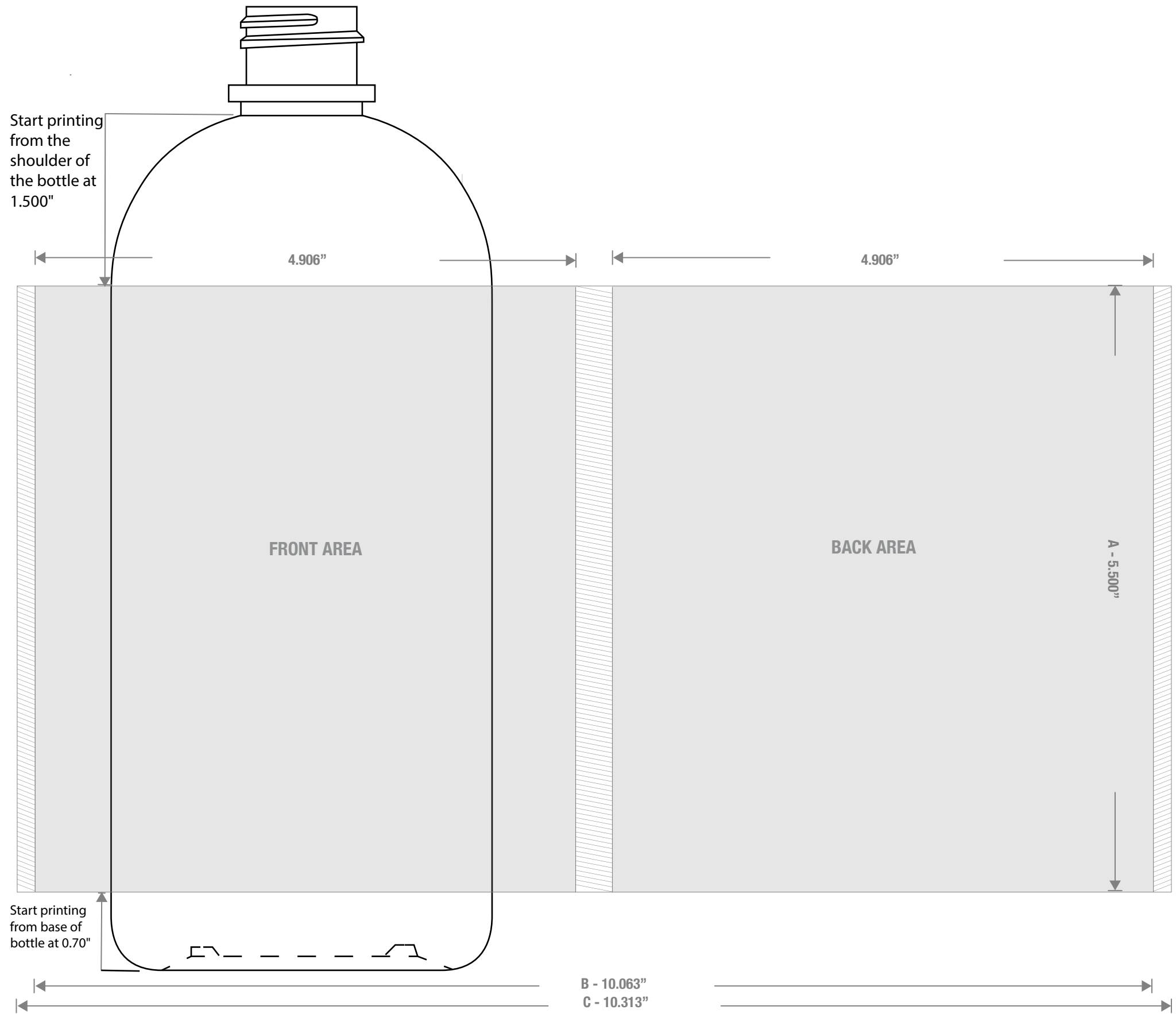
Box Dimensions:
24 7/16 x 18 1/2 x 23

Stock Material:



Rev #3 07/2018

Drawing not exactly to size.





**LASSIC
CONTAINERS
Inc.**

1700 S Hellman Ave, Ontario, California 91761
Phone: (909) 930-3610 | Fax: (909) 930-3640
e-mail: info@classiccontainers.com
www.classiccontainers.com

A - Total Height.
B - Total bottle circumference.