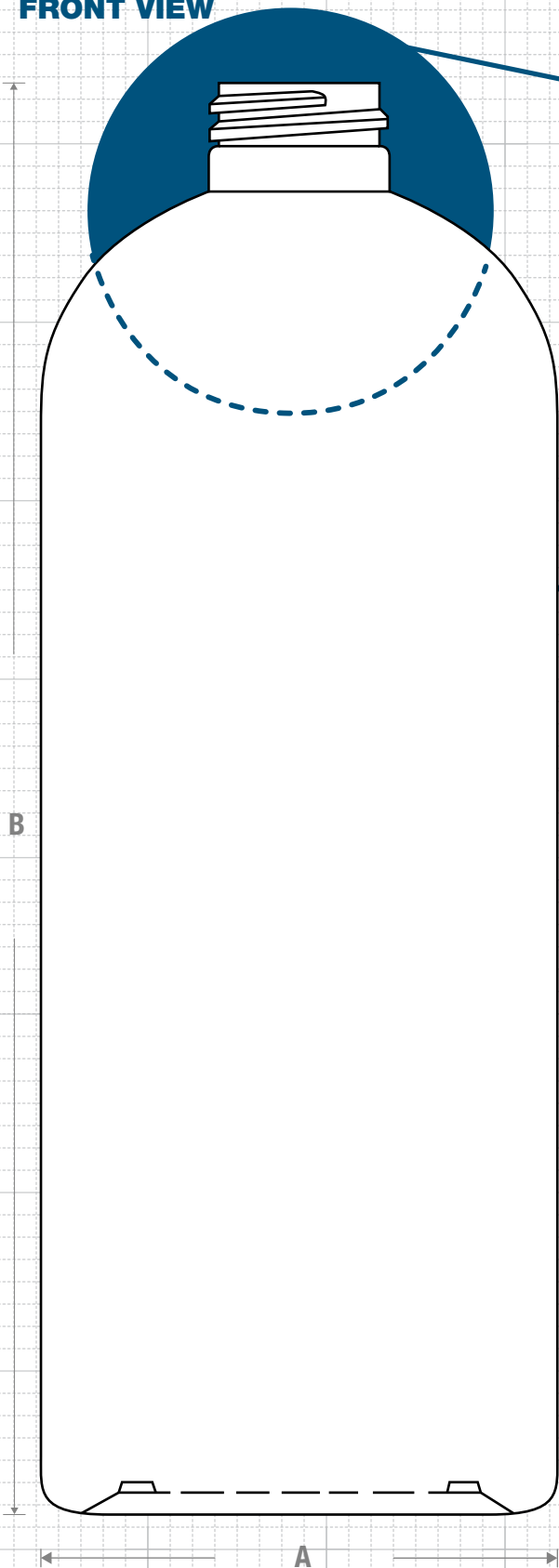
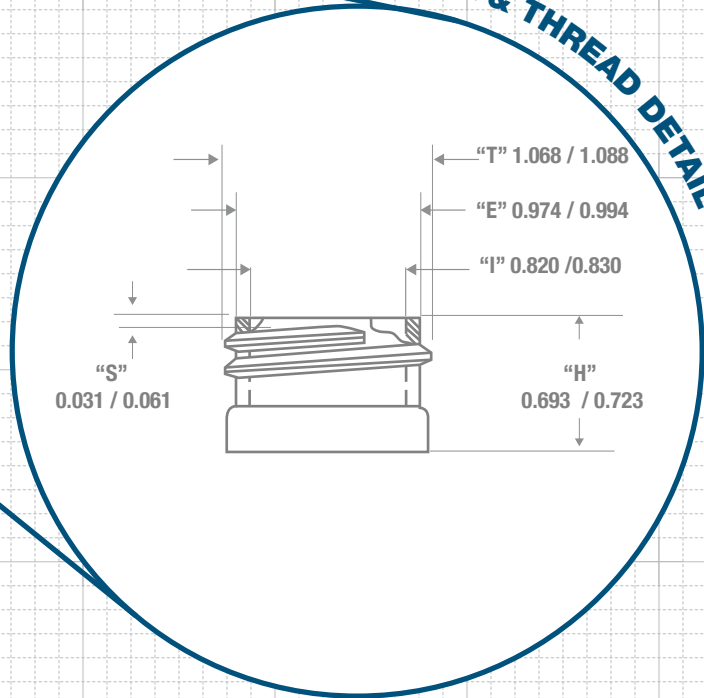


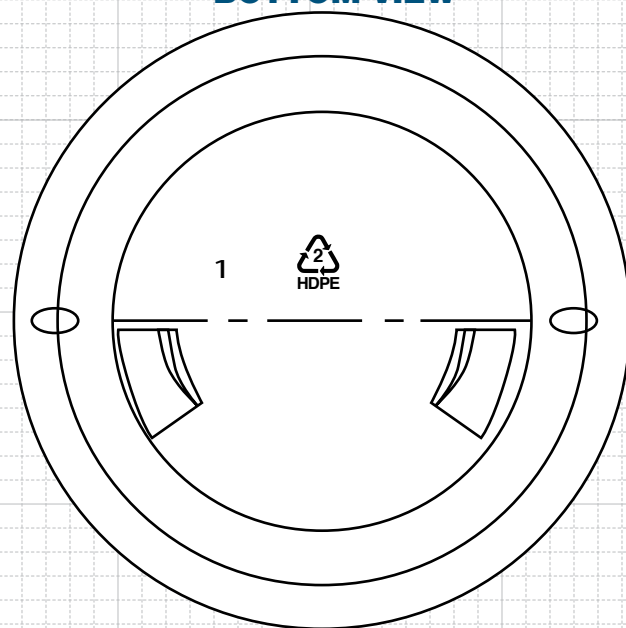
FRONT VIEW



NECK & THREAD DETAIL

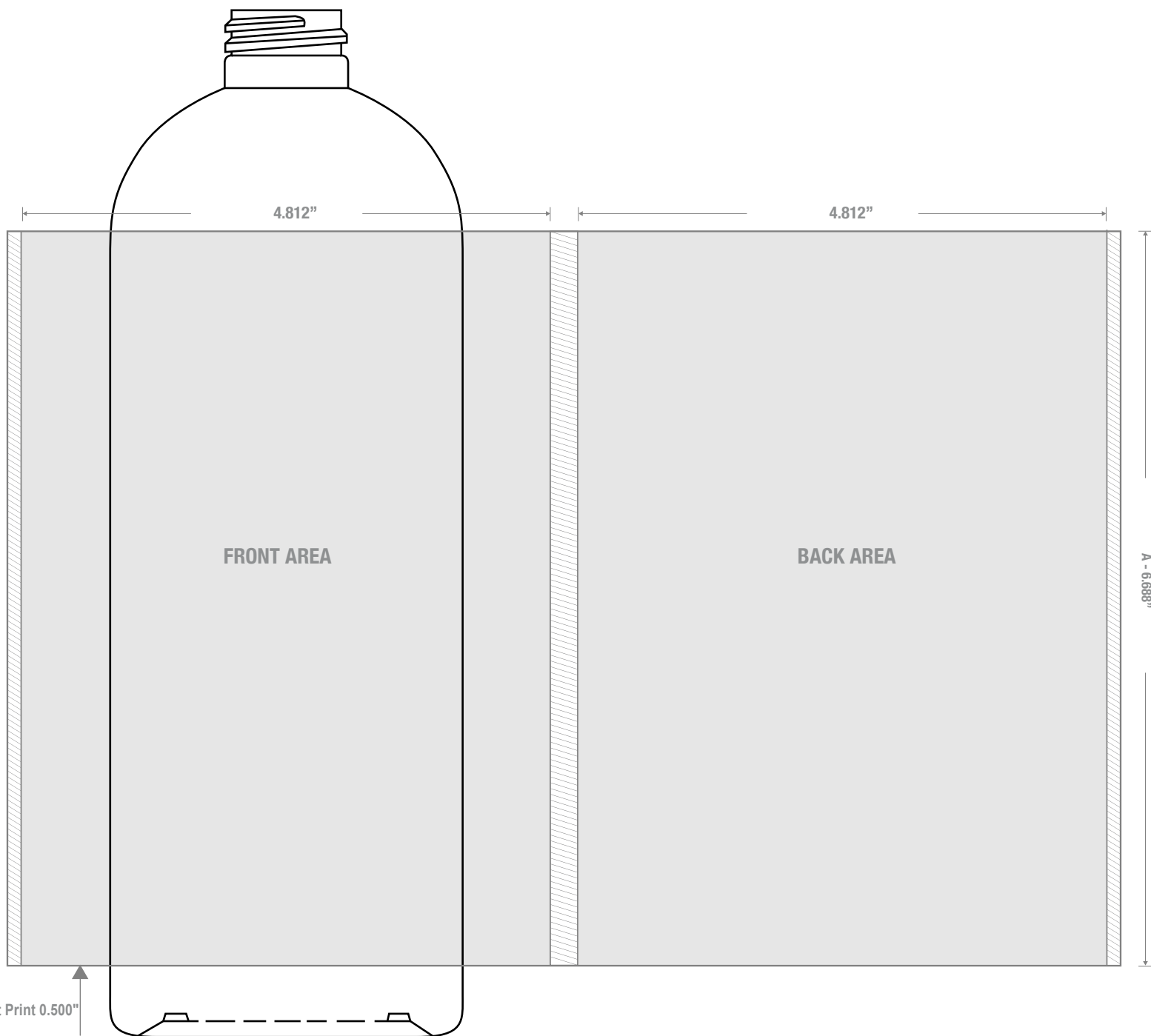


BOTTOM VIEW



CLASSIC CONTAINERS INC
 1700 S. Hellman Ave.
 Ontario, CA 91761
 Phone: 909-930-3610
 e-mail: info@classiccontainers.com
 www.classiccontainers.com

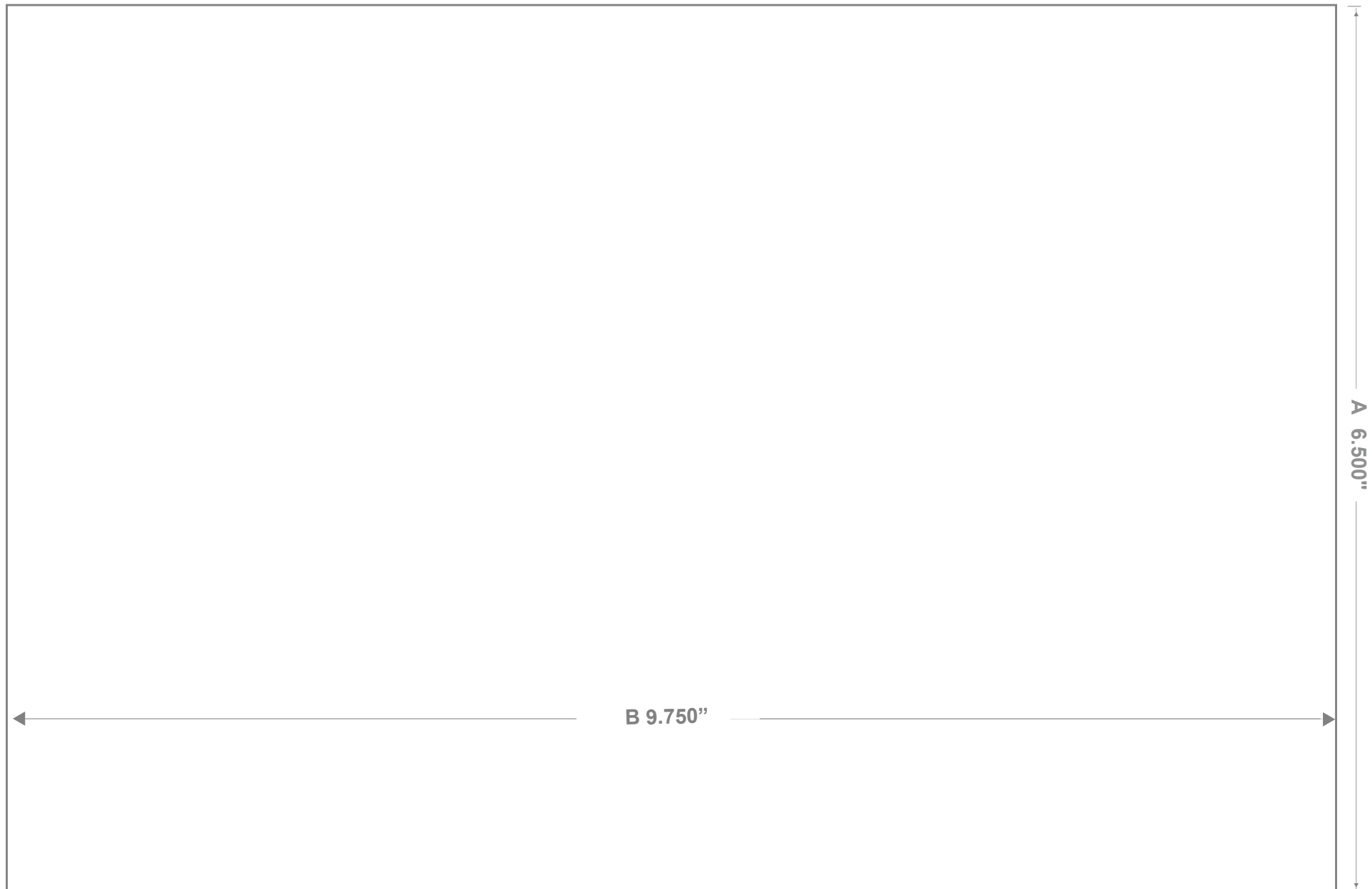
Drawing: 32 oz Imperial Round 28/410	Gram Weight: 58 ± 2 grs	Max Print Area (Height): 6.688"	Cases Per Pallet: 16
Stock Code: 003200050280000	Neck Finish: 28/410	Max Print Area (Width): 9.875"	Box Dimensions: 24 7/16 x 18 1/2 x 23
Manufacturing Process: Extrusion Blow Molding	Base Width (A): 3.210 ± 0.05	Case Pack: 98	Stock Material:
Overflow Capacity: 1024- 1047 ml (34.7 - 35.5 oz)	Overall Height (B): 9.350 ± 0.050	Case Weight (lb): 15.4 ± 0.4	Rev #4 08/2018 Drawing not exactly to size.



1700 S Hellman Ave, Ontario, California 91761
 Phone: (909) 930-3610 | Fax: (909) 930-3640
 e-mail: info@classiccontainers.com
www.classiccontainers.com

A - Total Height.
B - Max. Decorating Area.
C - Total bottle circumference.
 **Unprintable area**

LABELING SPECIFICATIONS (WRAP LABEL): 32oz IMPERIAL ROUND 28/410



1700 S Hillman Ave, Ontario, California 91761
Phone: (909) 930-3610 | Fax: (909) 930-3640
e-mail: info@classiccontainers.com
www.classiccontainers.com

A - Total Height.
B - Total bottle circumference.