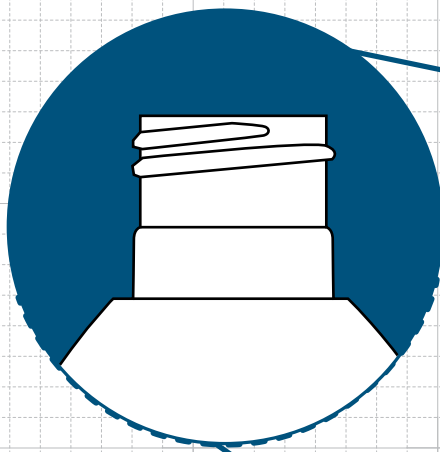
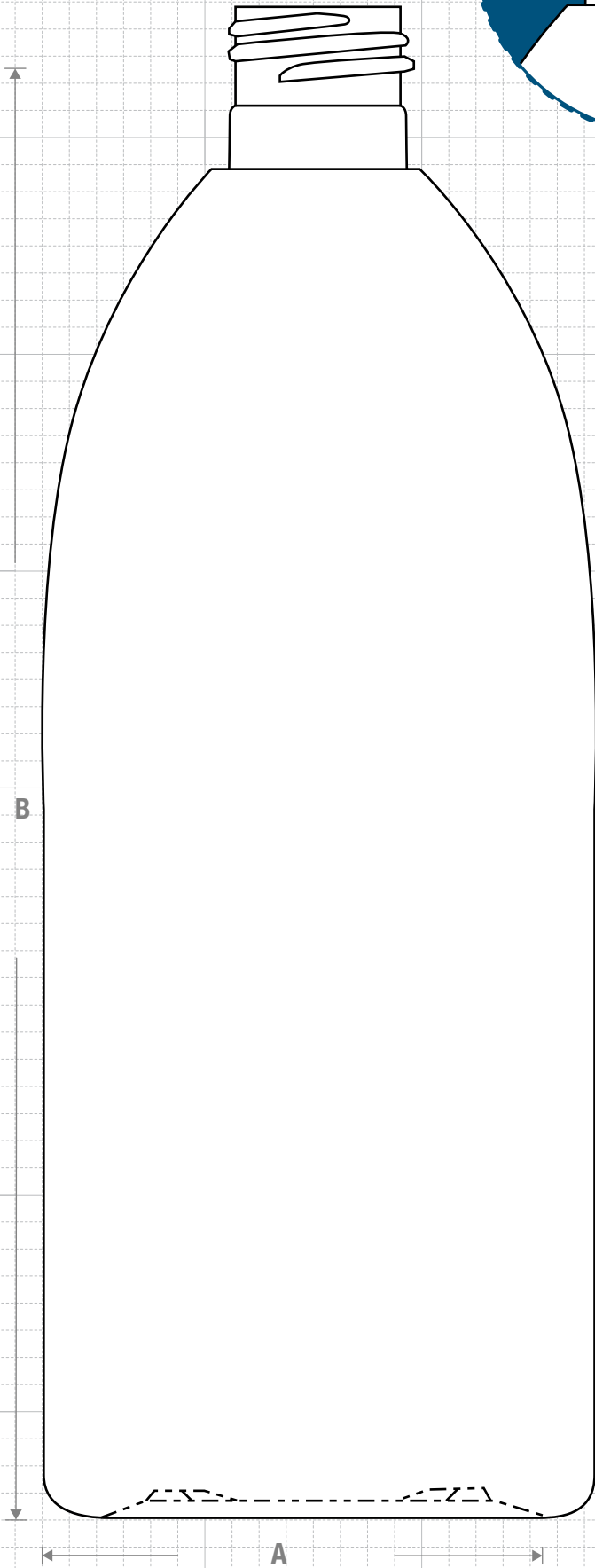
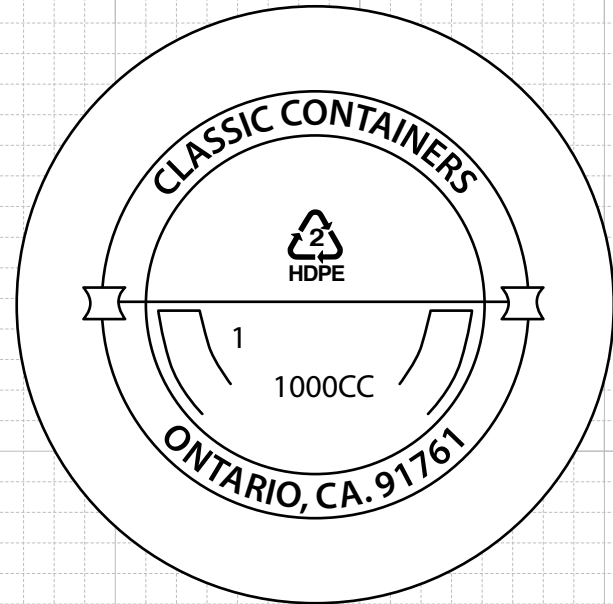
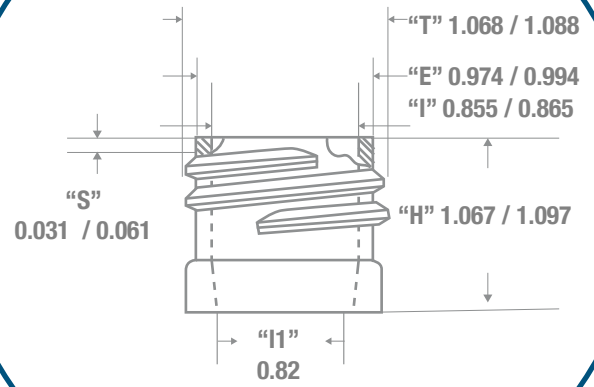




**FRONT VIEW**



**NECK & THREAD DETAIL**

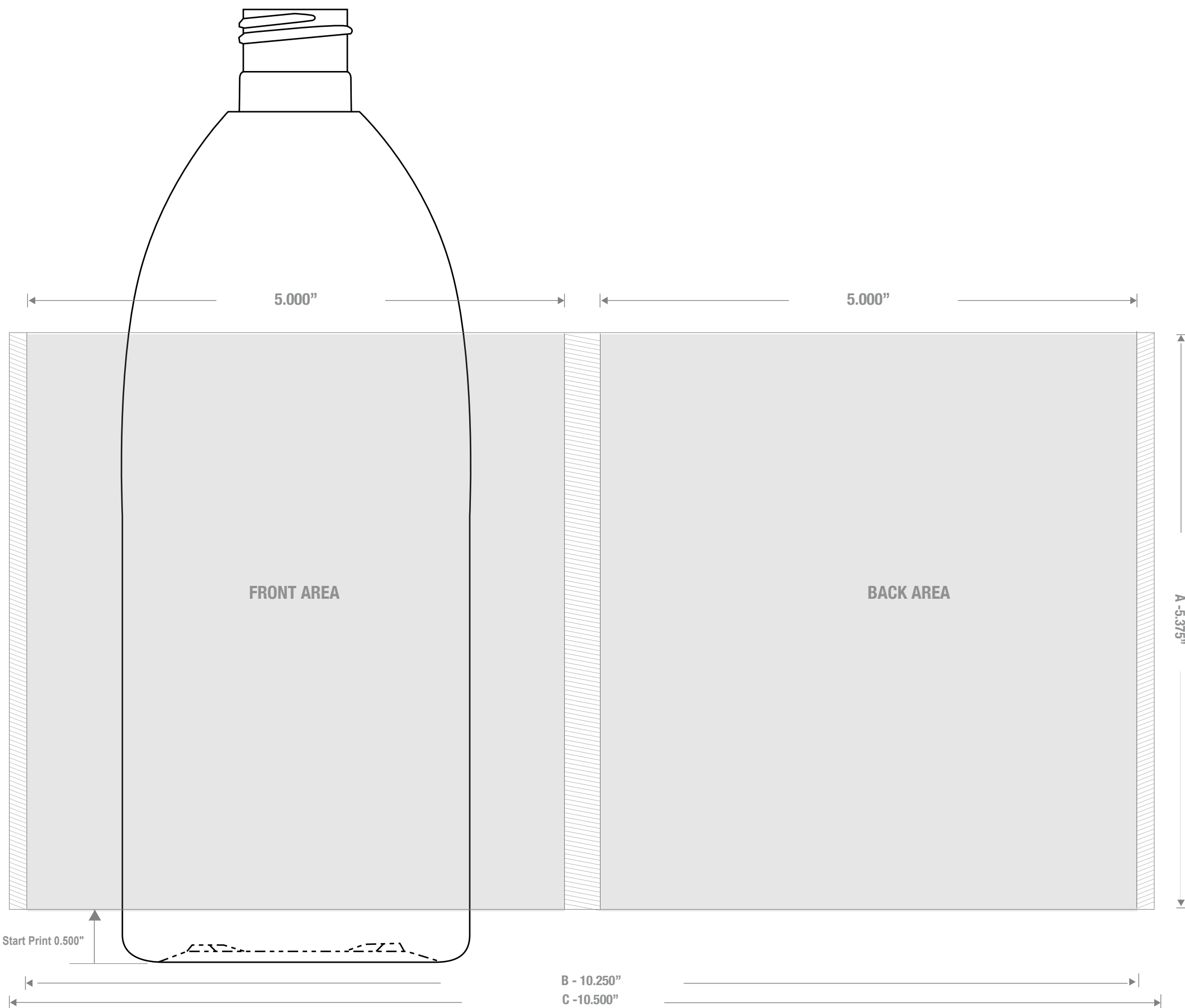


**BOTTOM VIEW**



**CLASSIC CONTAINERS INC**  
 1700 S. Hellman Ave.  
 Ontario, CA 91761  
 Phone: 909-930-3610  
 e-mail: info@classiccontainers.com  
 www.classiccontainers.com

Drawing: <b>32 oz Evolution 28/415</b>	Gram Weight: <b>60 ± 2</b>	Max Print Area (Height): <b>5.375"</b>	Cases Per Pallet: <b>16</b>
Stock Code: <b>003200330290000</b>	Neck Finish: <b>28/415</b>	Max Print Area (Width): <b>10.250"</b>	Box Dimensions: <b>24 7/16 x 18 1/2 x 23</b>
Manufacturing Process: <b>Extrusion Blow Molding</b>	Base Width (A): <b>3.350± 0.050</b>	Case Pack: <b>94</b>	Stock Material:
Overflow Capacity: <b>1070 - 1100 ml (36.3 - 37.3 oz)</b>	Overall Height (B): <b>10.054 ± 0.050</b>	Case Weight (lb): <b>15.3 ± 0.4</b>	Rev #3 01/2016 Drawing not exactly to size.



1700 S Hellman Ave, Ontario, California 91761  
Phone: (909) 930-3610 | Fax: (909) 930-3640  
e-mail: info@classiccontainers.com  
[www.classiccontainers.com](http://www.classiccontainers.com)

A - Total Height.  
B - Max. Decorating Area.  
C - Total bottle circumference  
▨ - Unprintable area.



A - 5.500"

B 10.250"



1700 S Hellman Ave, Ontario, California 91761  
Phone: (909) 930-3610 | Fax: (909) 930-3640  
e-mail: info@classiccontainers.com  
[www.classiccontainers.com](http://www.classiccontainers.com)

A - Total Height.  
B - Total bottle circumference.