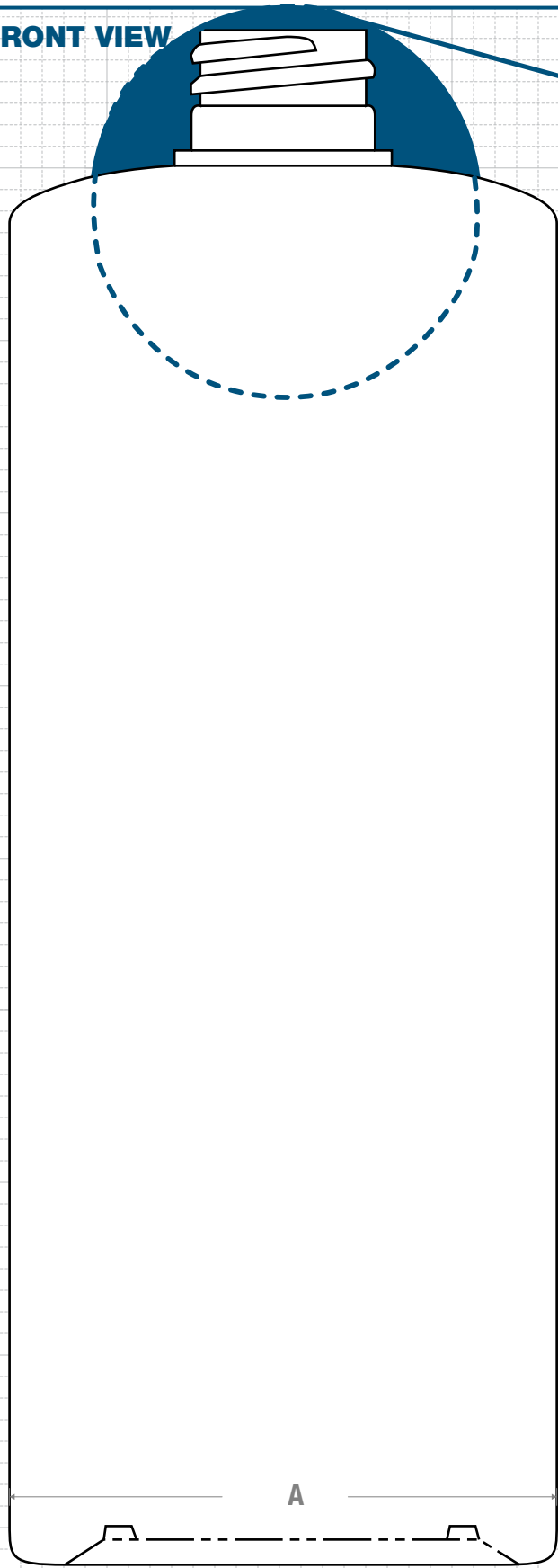
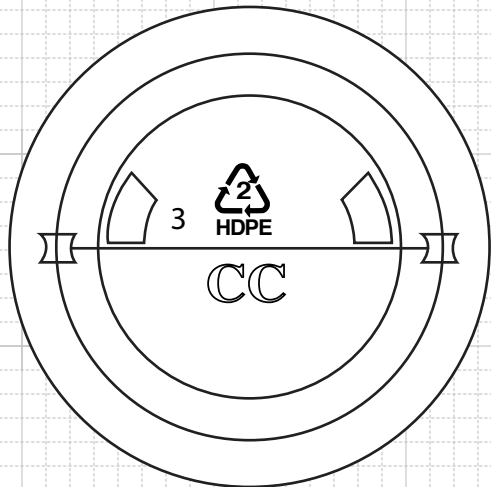
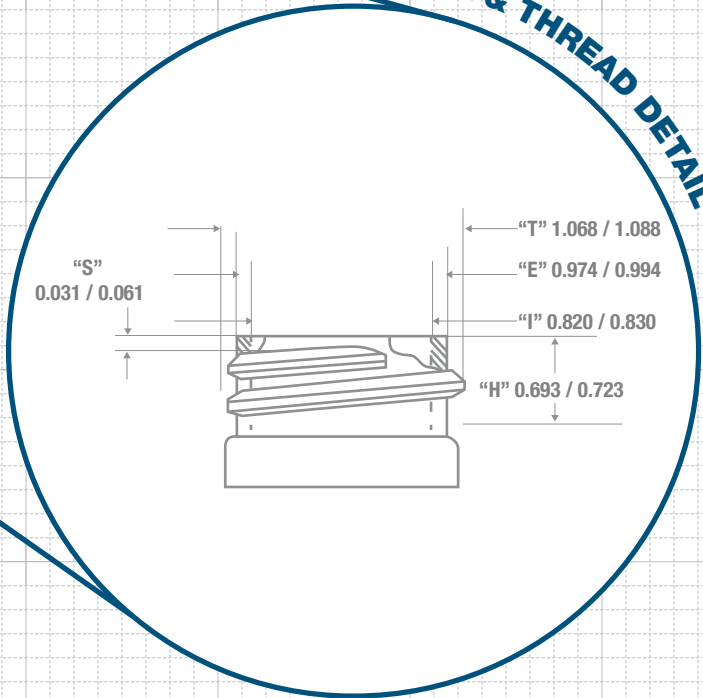


FRONT VIEW



NECK & THREAD DETAIL

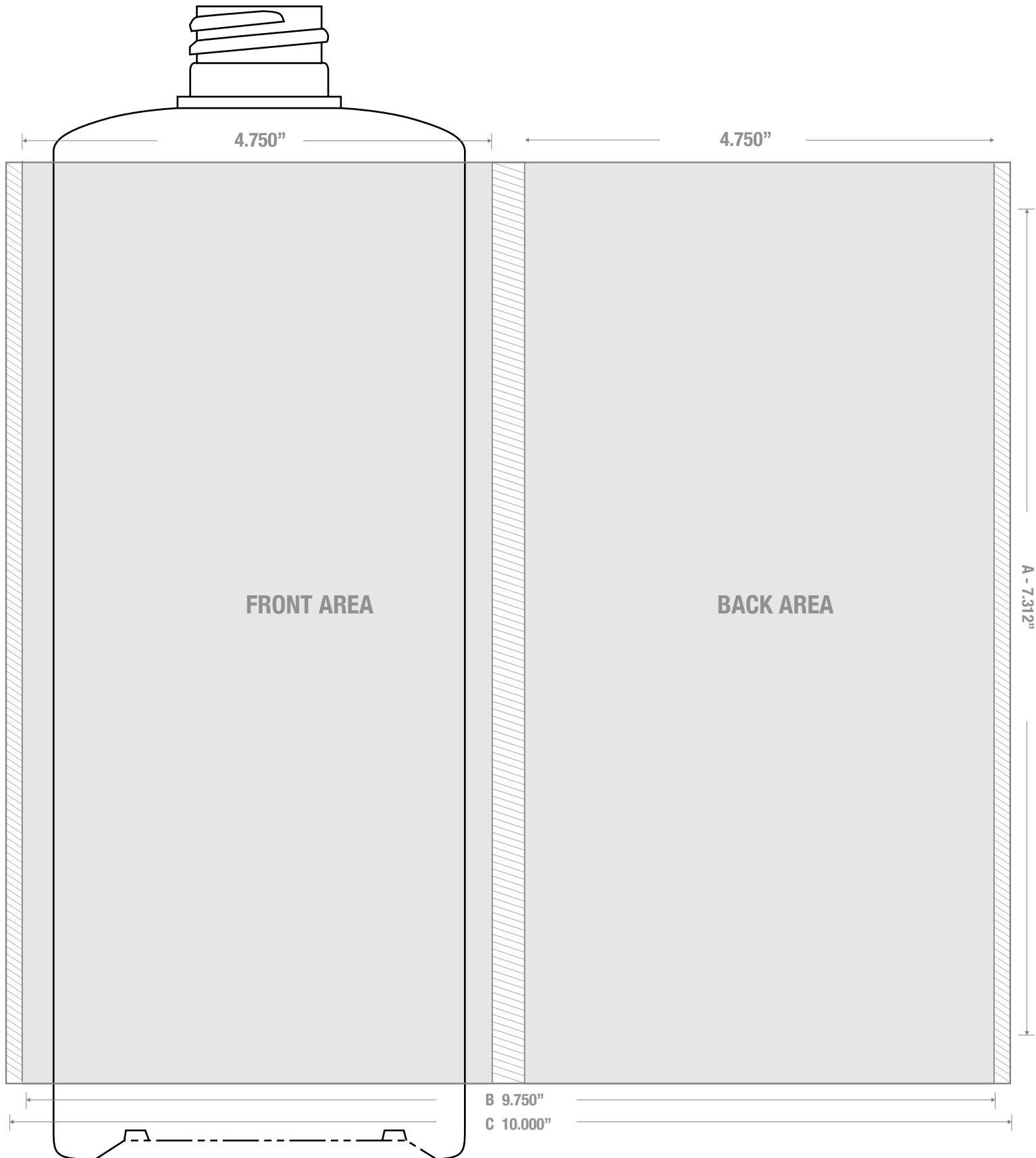


BOTTOM VIEW



CLASSIC CONTAINERS INC
 1700 S. Hellman Ave.
 Ontario, CA 91761
 Phone: 909-930-3610
 e-mail: info@classiccontainers.com
 www.classiccontainers.com

Drawing: 32 oz Cylinder Round Tall 28/410	Gram Weight: 55 ± 2	Max Print Area (Height): 7.312"	Cases Per Pallet: 16
Stock Code: 003200030280000	Neck Finish: 28/410	Max Print Area (Width): 9.750"	Box Dimensions: 24 7/12 x 18 1/2 x 23
Manufacturing Process: Extrusion Blow Molding	Base Width (A): 3.185 ± 0.005	Case Pack: 98	Stock Material:
Overflow Capacity: 1009 - 1033 ml (34.2 - 35.0 oz)	Overall Height (B): 9.185 ± 0.005	Case Weight (lb): 14.8 ± 0.5	Rev #4 - 07/2018 Drawing not exactly to size.



1700 S Hellman Ave, Ontario, California 91761
Phone: (909) 930-3610 | Fax: (909) 930-3640
e-mail: info@classiccontainers.com
www.classiccontainers.com

A - Total Height.
B - Max. Decorating Area.
C - Total bottle circumference.
▨ - Unprintable area.