



Drawing:
2 oz Teardrop 20/415

Stock Code:
000200350210000

Manufacturing Process:
Extrusion Blow Molding

Overflow Capacity:
65 - 74 ml (2.2 - 2.5oz)

Gram Weight:
10 ± 1

Neck Finish:
20/415

Base Width (A) Base Deep (C):
1.577 ± 0.050/ 1.020 ± 0.050

Overall Height (B):
4.501 ± 0.050

Max Print Area (Height):
3.000"

Max Print Area (Width):
Shoulder 0.500"/base 1.000"

Case Pack: 918

Case Weight (lb): 22.4 ± 2.0

Cases Per Pallet: 25

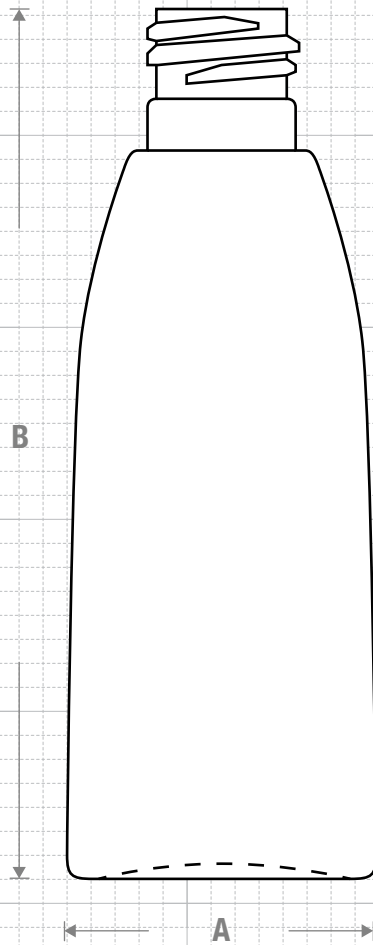
Box Dimensions:
23 5/8 x15 9/16 x17

Stock Material:

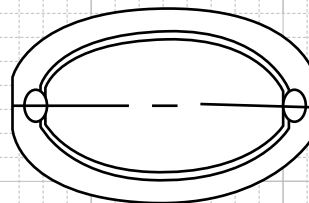
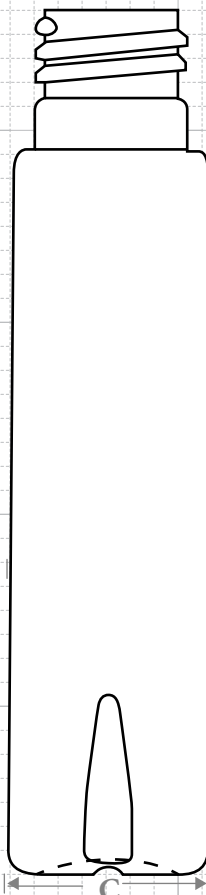


CLASSIC CONTAINERS INC
1700 S. Hellman Ave.
Ontario, CA 91761
Phone: 909-930-3610
e-mail: info@classiccontainers.com
www.classiccontainers.com

FRONT VIEW

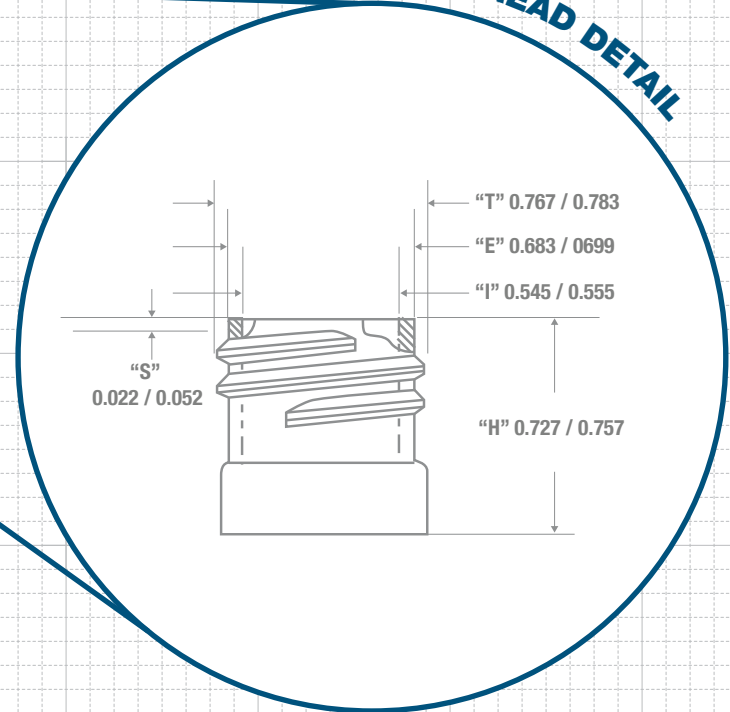


SIDE VIEW



BOTTOM VIEW

NECK & THREAD DETAIL



Recommended Plugs for this bottle



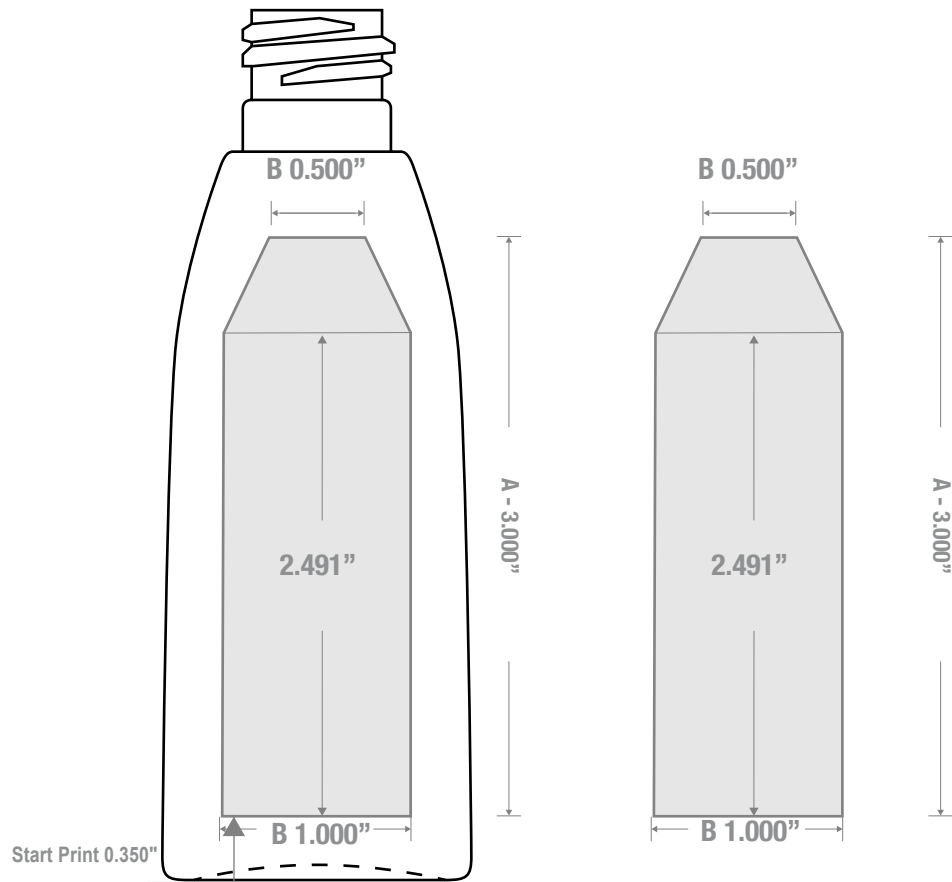
Recommended Plugs for this bottle



FRICION FIT



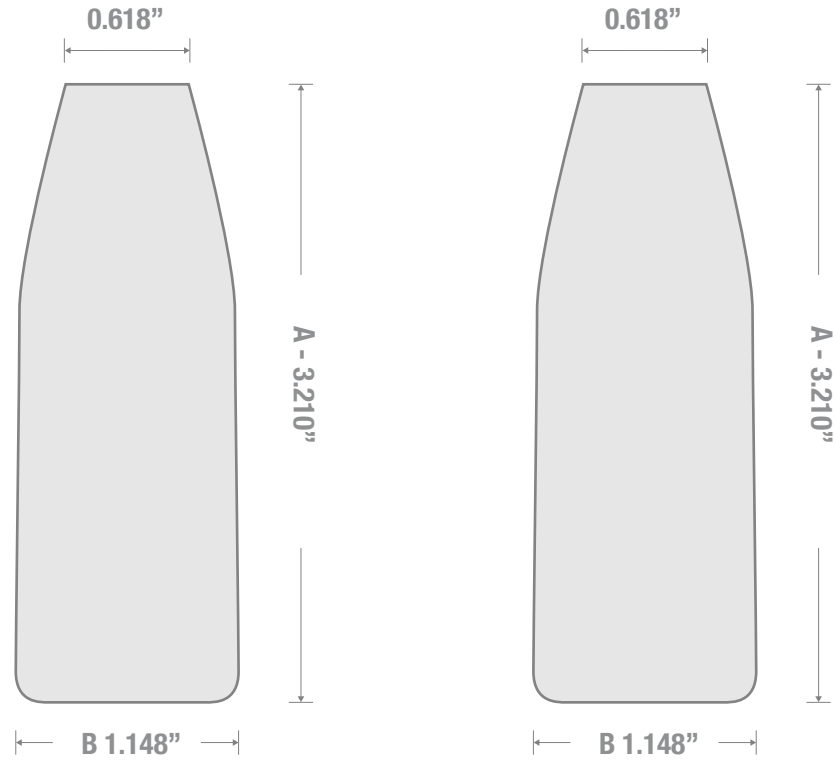
PRINTING SPECIFICATIONS: 2 oz TEARDROP 20/415



1700 S Hellman Ave, Ontario, California 91761
Phone: (909) 930-3610 | Fax: (909) 930-3640
e-mail: info@classiccontainers.com
www.classiccontainers.com

A - Total Height.
B - Max. Decorating Area.

PRINTING SPECIFICATIONS: 2 oz TEARDROP 20/410



1700 S Hellman Ave, Ontario, California 91761
Phone: (909) 930-3610 | Fax: (909) 930-3640
e-mail: info@classiccontainers.com
www.classiccontainers.com

A - Total Height.
B - Max. Decorating Area.