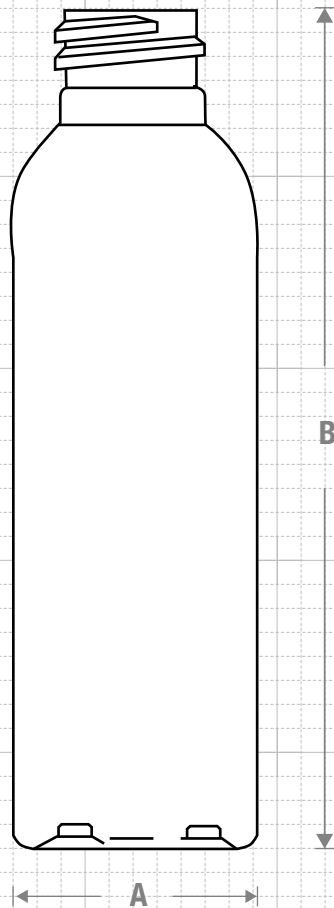
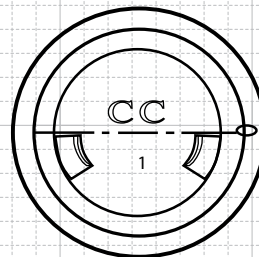
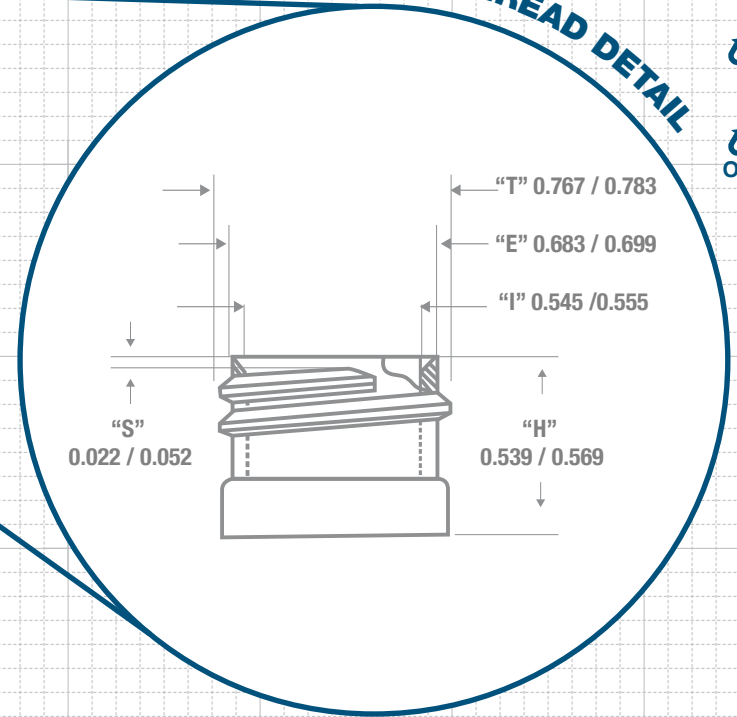




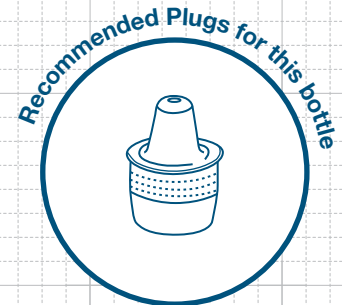
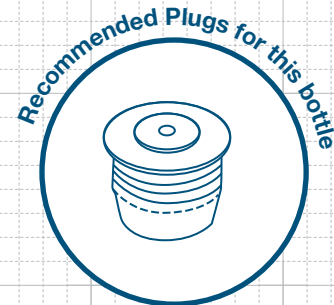
FRONT VIEW



NECK & THREAD DETAIL



BOTTOM VIEW



FRICITION FIT



Drawing:
2 oz Imperial Round Tall
20/410

Stock Code:
00200400200000

Manufacturing Process:
Extrusion Blow Molding

Overflow Capacity:
62- 68 ml (2.1 - 2.3 oz)

Gram Weight:
8.5 ± 1

Neck Finish:
20/410

Base Width (A):
1.272 ± 0.050

Overall Height (B):
4.367 ± 0.050

Max Print Area (Height):
3.000"

Max Print Area (Width):
3.750"

Case Pack: 933

Case Weight (lb): 19.6 ± 2.0

Cases Per Pallet: 25

Box Dimensions:
23 5/8 x15 9/16 x17

Stock Material:



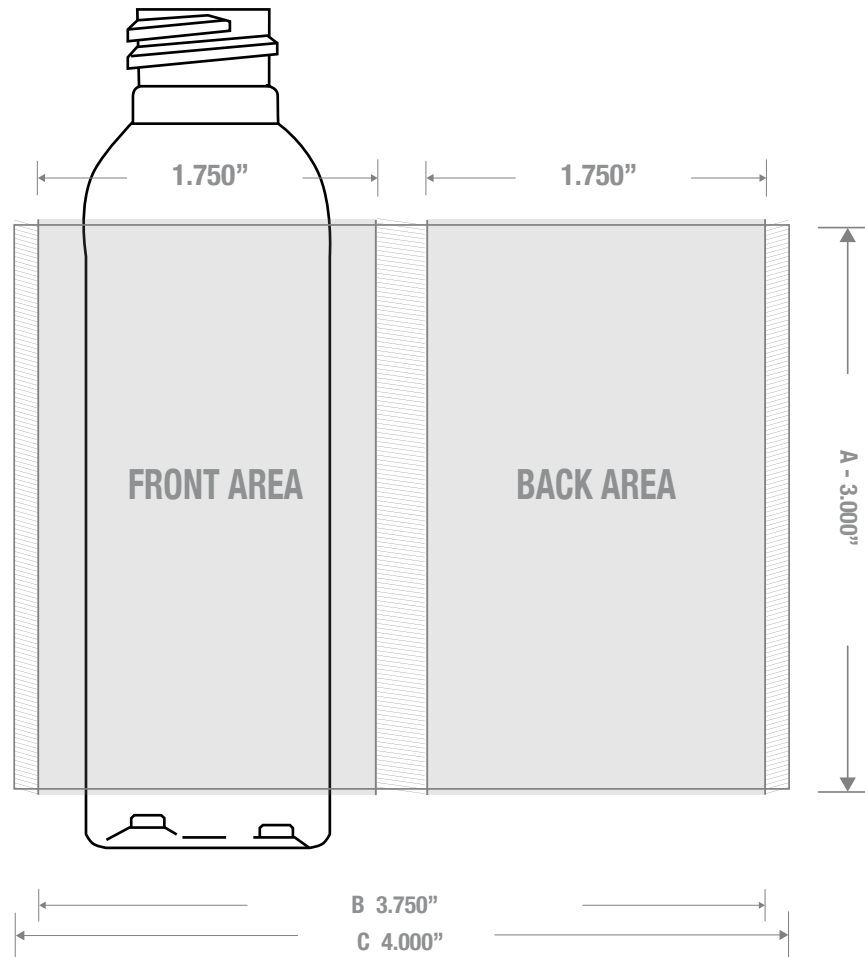
CLASSIC CONTAINERS INC
1700 S. Hellman Ave.
Ontario, CA 91761
Phone: 909-930-3610
e-mail: info@classiccontainers.com
www.classiccontainers.com



Other Material Options

Stock Material: LD/PE MD/PE
Case Pack: 879
Case Weight (lb): 18.6 ± 2.0

PRINTING SPECIFICATIONS: 2 oz IMPERIAL ROUND TALL 20/410



1700 S Hellman Ave, Ontario, California 91761
Phone: (909) 930-3610 | Fax: (909) 930-3640
e-mail: info@classiccontainers.com
www.classiccontainers.com

A - Total Height.
B - Max. Decorating Area.
C - Total bottle circumference.
■ - Unprintable area.