



Drawing:
2 oz Imperial Round 20/410

Stock Code:
00020005020000

Manufacturing Process:
Extrusion Blow Molding

Overflow Capacity:
62- 68 ml (2.1 - 2.3 oz)

Gram Weight:
9.0 ± 1

Neck Finish:
20/410

Base Width (A):
1.280 ± 0.050

Overall Height (B):
4.000± 0.050

Max Print Area (Height):
2.500"

Max Print Area (Width):
3.8125"

Case Pack: 980

Case Weight (lb): 21.5 ± 2.1

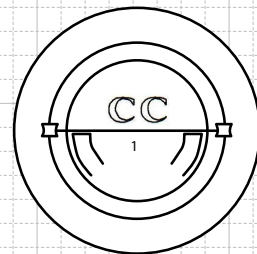
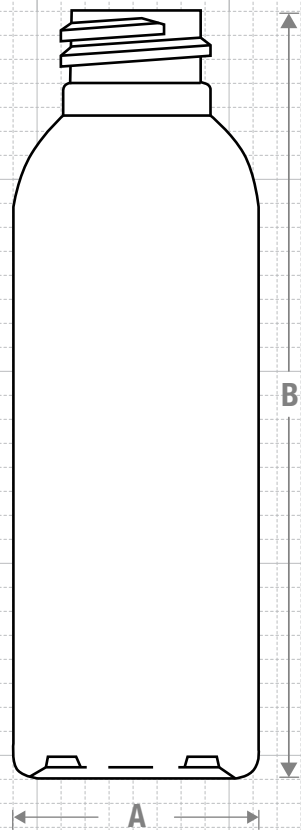
Cases Per Pallet: 25

Box Dimensions:
23 5/8 x15 9/16 x17

Stock Material:

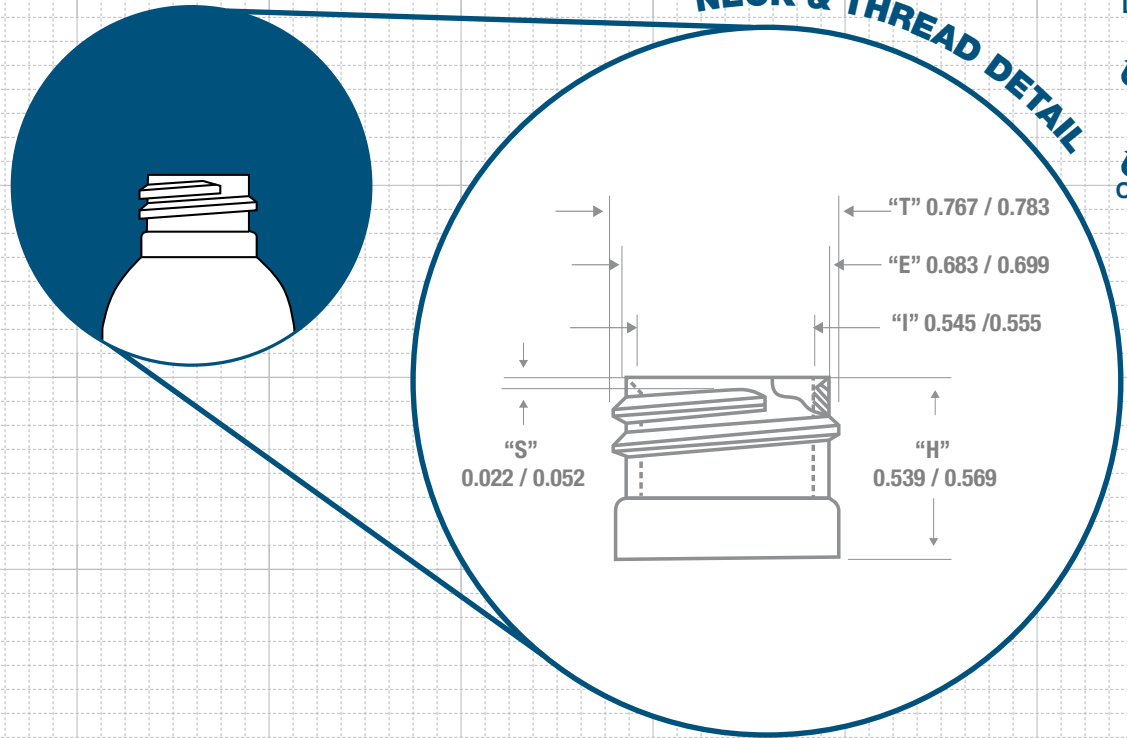


FRONT VIEW



BOTTOM VIEW

NECK & THREAD DETAIL



Recommended Plugs for this bottle



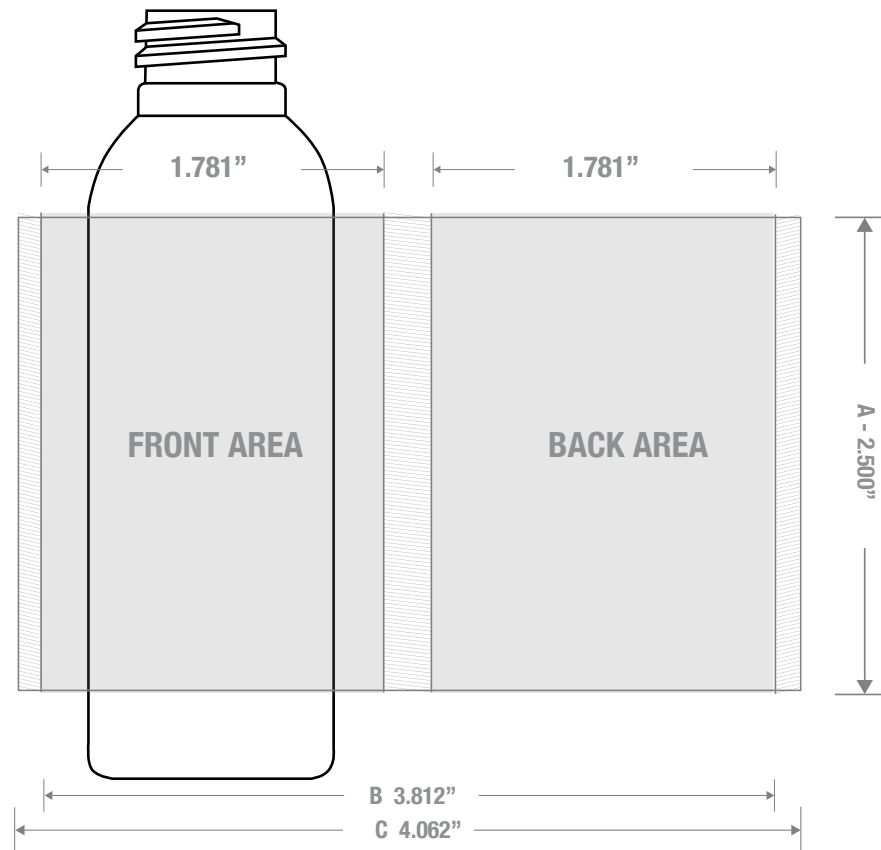
Recommended Plugs for this bottle



FRICION FIT

CLASSIC CONTAINERS INC
1700 S. Hellman Ave.
Ontario, CA 91761
Phone: 909-930-3610
e-mail: info@classiccontainers.com
www.classiccontainers.com

PRINTING SPECIFICATIONS: 2 oz IMPERIAL ROUND 20/410



1700 S Hellman Ave, Ontario, California 91761
Phone: (909) 930-3610 | Fax: (909) 930-3640
e-mail: info@classiccontainers.com
www.classiccontainers.com

A - Total Height.
B - Max. Decorating Area.
C - Total bottle circumference.
▨ - Unprintable area.

LABELING SPECIFICATIONS: 2 oz IMPERIAL ROUND 20/410

FRONT AREA

BACK AREA



1700 S Hellman Ave, Ontario, California 91761
Phone: (909) 930-3610 | Fax: (909) 930-3640
e-mail: info@classiccontainers.com
www.classiccontainers.com

A - Total Height.
B - Total bottle circumference.