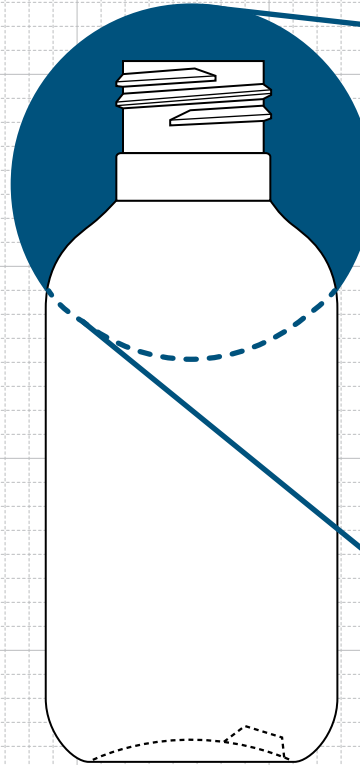
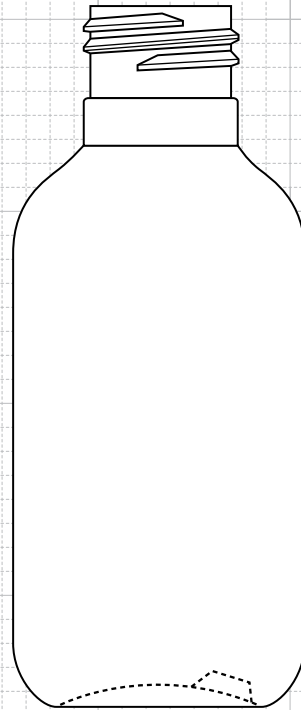
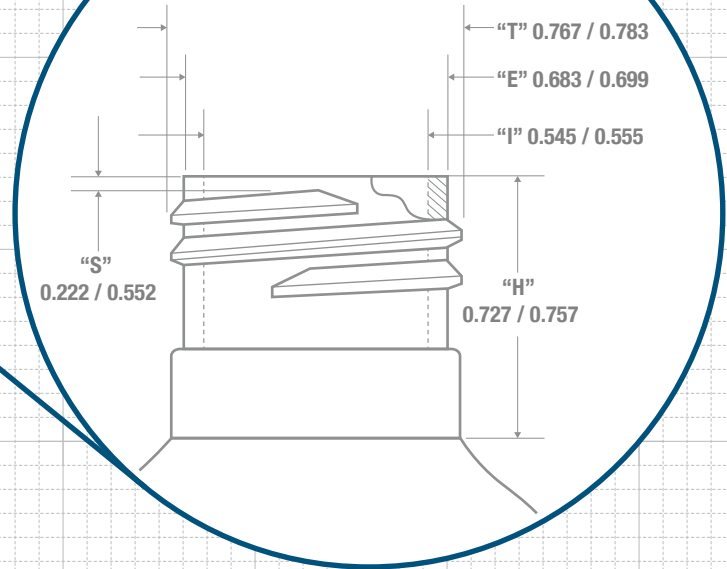




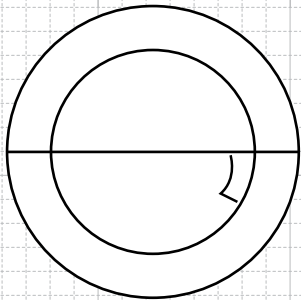
FRONT VIEW



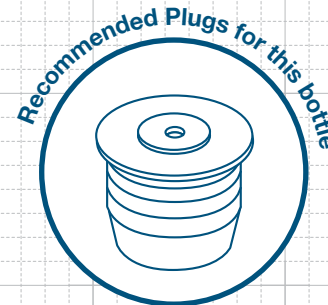
NECK & THREAD DETAIL



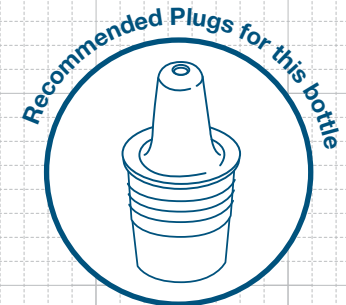
A



BOTTOM VIEW



FRICITION FIT



FRICITION FIT

Drawing:
2 oz (60 ml) Boston Round
20/415

Stock Code:
000200060210000

Manufacturing Process:
Extrusion Blow Molding

Overflow Capacity:
71 - 80 ml (2.40 - 2.70 oz)

Gram Weight:
8.5 ± 1

Neck Finish:
20/415

Base Width (A):
1.519 ± 0.050

Overall Height (B):
3.650 ± 0.050

Max Print Area (Height):
1.875"

Max Print Area (Width):
4.563"

Case Pack: 708

Case Weight (lb): 15.4 ± 1.6

Cases Per Pallet: 25

Box Dimensions:
24 x 17 x 16

Stock Material:



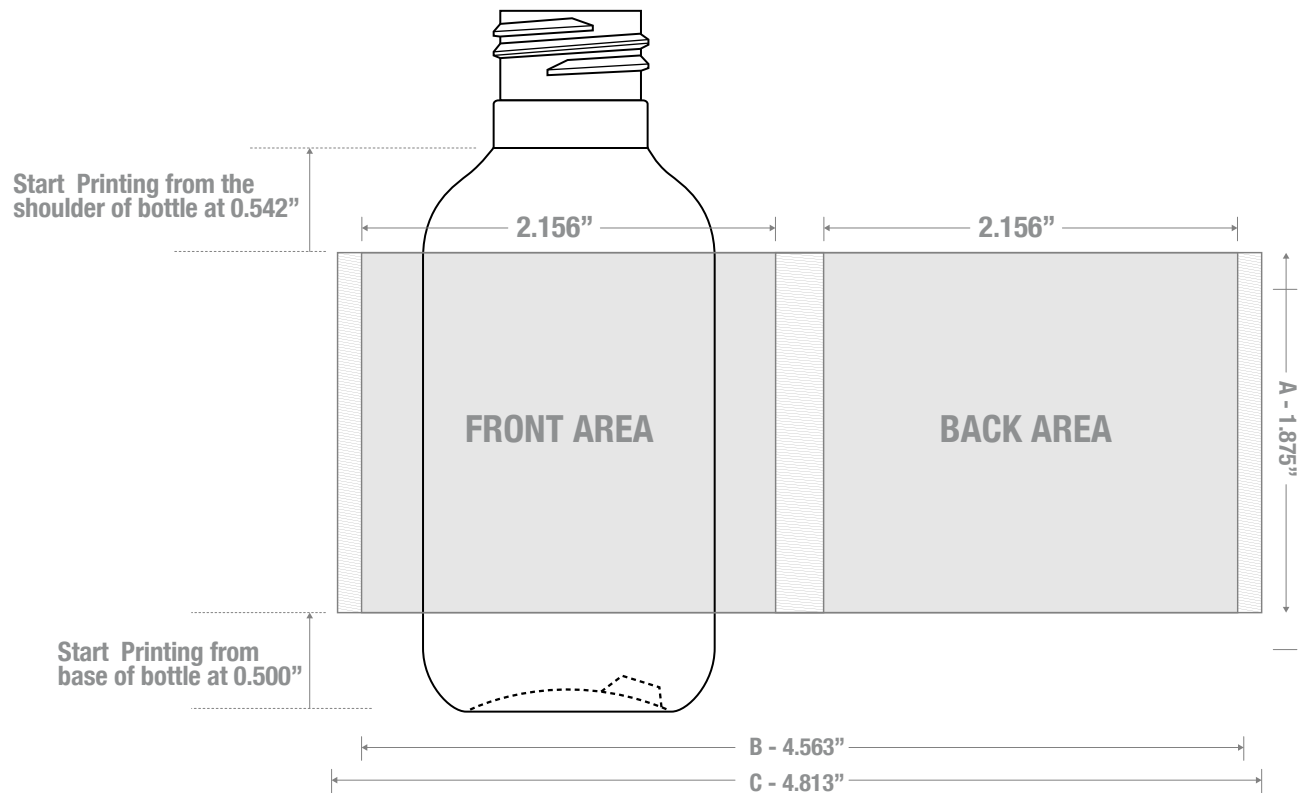
Other Material Options

Stock Material: HD/PE,
MD/PE
Case Pack: 855
Case Weight (lb): 18.1 ± 1.9



CLASSIC CONTAINERS INC
1700 S. Hellman Ave.
Ontario, CA 91761
Phone: 909-930-3610
e-mail: info@classiccontainers.com
www.classiccontainers.com

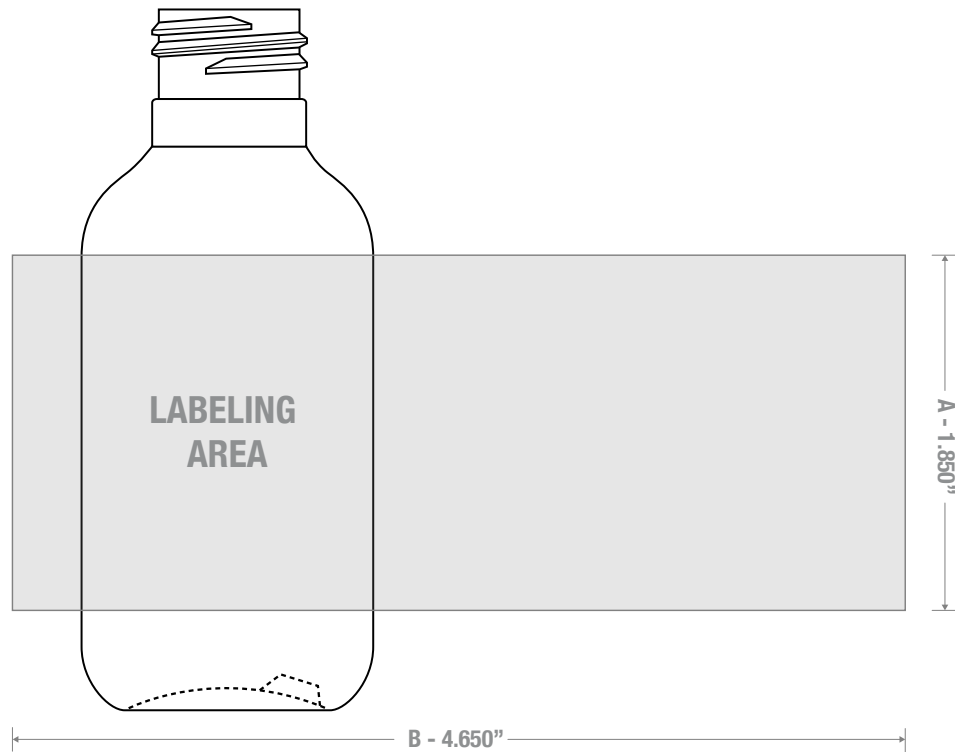
PRINTING SPECIFICATIONS: 2 oz BOSTON ROUND



1700 S Hellman Ave, Ontario, California 91761
Phone: (909) 930-3610 | Fax: (909) 930-3640
e-mail: info@classiccontainers.com
www.classiccontainers.com

A - Total Height.
B - Max. Decorating Area.
C - Total bottle circumference.
[Hatched Box] - Unprintable area.

LABELING SPECIFICATIONS: 2 oz BOSTON ROUND



1700 S Hellman Ave, Ontario, California 91761
Phone: (909) 930-3610 | Fax: (909) 930-3640
e-mail: info@classiccontainers.com
www.classiccontainers.com

A - Total Height.
B - Max. Decorating Area.