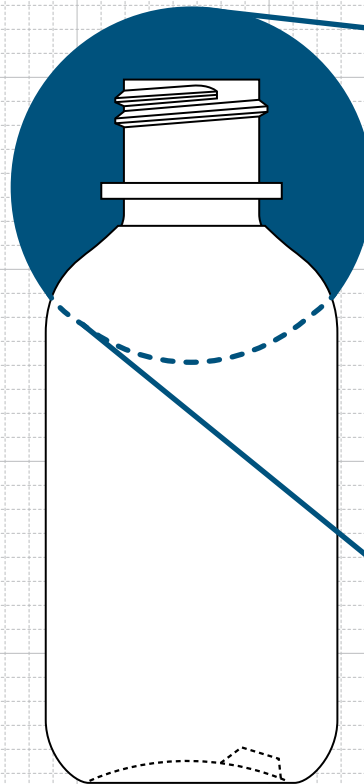
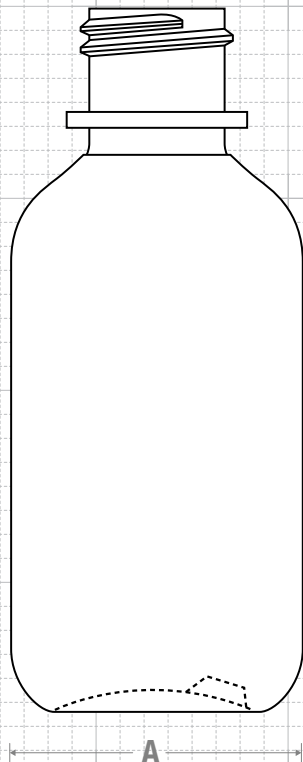
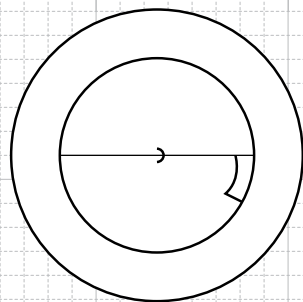
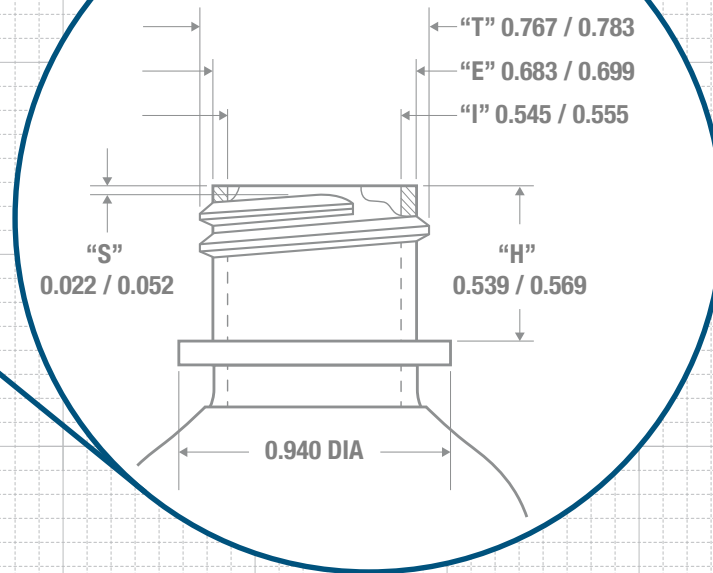




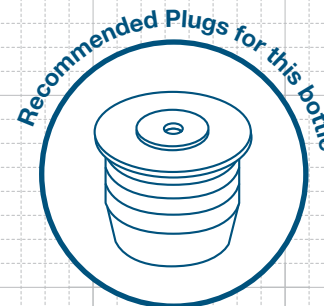
### FRONT VIEW



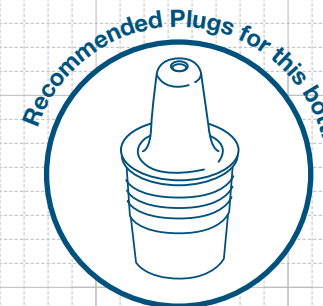
### NECK & THREAD DETAIL



### BOTTOM VIEW



**FRICION FIT**



**FRICION FIT**

Drawing:  
**2 oz (60 ml) Boston Round  
20/410 with Ring**

Stock Code:  
**0002000620R0000**

Manufacturing Process:  
**Extrusion Blow Molding**

Overflow Capacity:  
**73.7 - 82.6 ml (2.50 - 2.80 oz)**

Gram Weight:  
**8.5 ± 1**

Neck Finish:  
**20/410 W/R**

Base Width (A):  
**1.519 ± 0.050**

Overall Height (B):  
**3.663 ± 0.050**

Max Print Area (Height):  
**1.875"**

Max Print Area (Width):  
**4.563"**

Case Pack: **708**

Case Weight (lb): **15.4 ± 1.6**

Cases Per Pallet: **25**

Box Dimensions:  
**23 5/8 x 15 9/16 x 17**

Stock Material:



#### Other Material Options

Stock Material: **MD/PE**,  
Case Pack: **855**  
Case Weight (lb): **18.1 ± 1.9**

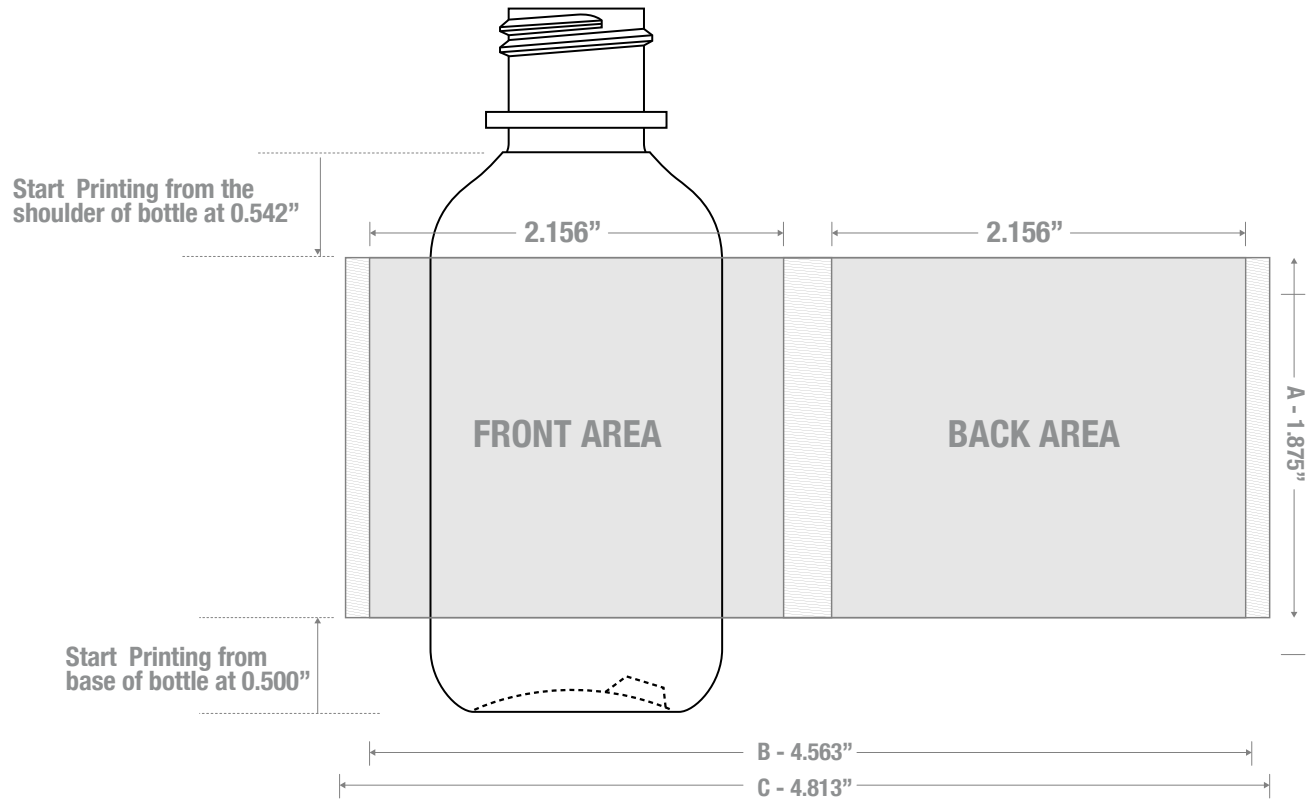
#### Other Material Options

Stock Material: **HD/PE**,  
Case Pack: **744**  
Case Weight (lb): **16.1 ± 1.6**

**CLASSIC CONTAINERS INC**  
1700 S. Hellman Ave.  
Ontario, CA 91761  
Phone: 909-930-3610  
e-mail: info@classiccontainers.com  
www.classiccontainers.com



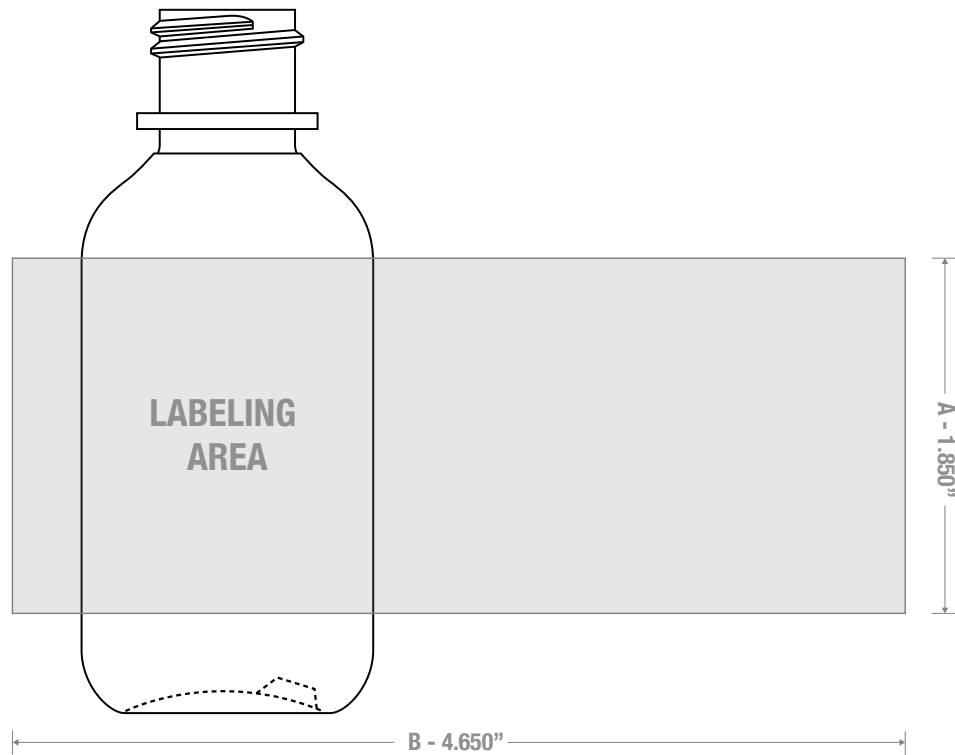
# PRINTING SPECIFICATIONS: 2 oz BOSTON ROUND



1700 S Hellman Ave, Ontario, California 91761  
Phone: (909) 930-3610 | Fax: (909) 930-3640  
e-mail: [info@classiccontainers.com](mailto:info@classiccontainers.com)  
[www.classiccontainers.com](http://www.classiccontainers.com)

A - Total Height.  
B - Max. Decorating Area.  
C - Total bottle circumference.  
[Hatched Box] - Unprintable area.

# LABELING SPECIFICATIONS: 2 oz BOSTON ROUND



1700 S Hellman Ave, Ontario, California 91761  
Phone: (909) 930-3610 | Fax: (909) 930-3640  
e-mail: [info@classiccontainers.com](mailto:info@classiccontainers.com)  
[www.classiccontainers.com](http://www.classiccontainers.com)

**A - Total Height.**  
**B - Max. Decorating Area.**