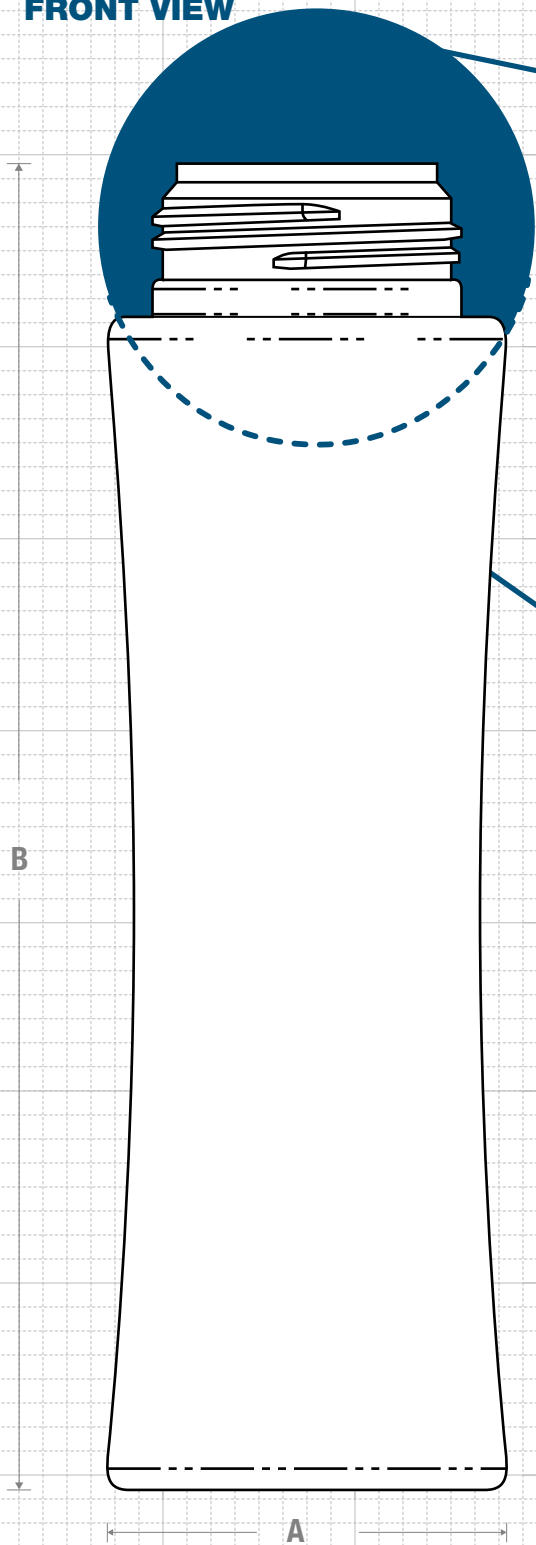
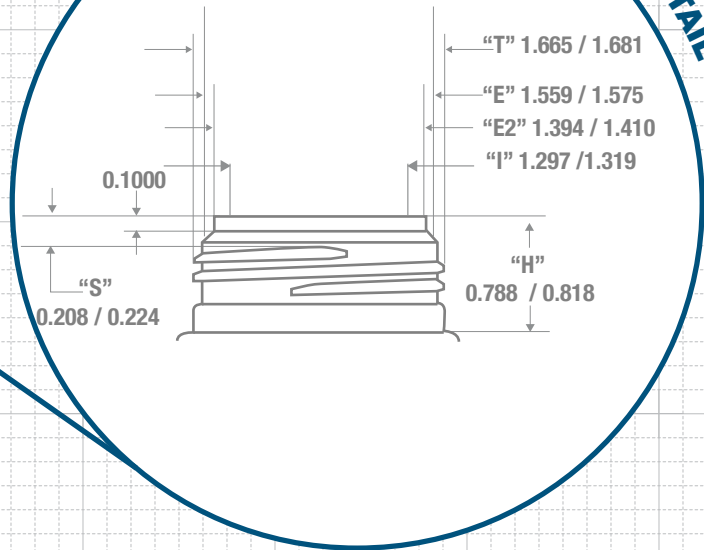


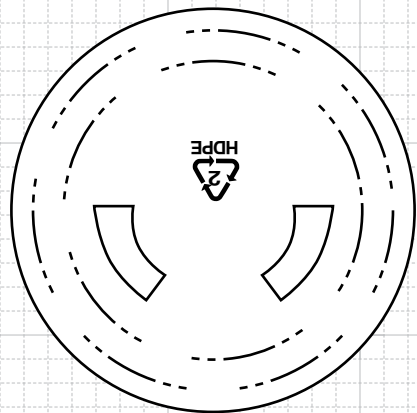
FRONT VIEW



NECK & THREAD DETAIL



- HDPE
- LDPE
- PP
- OTHER

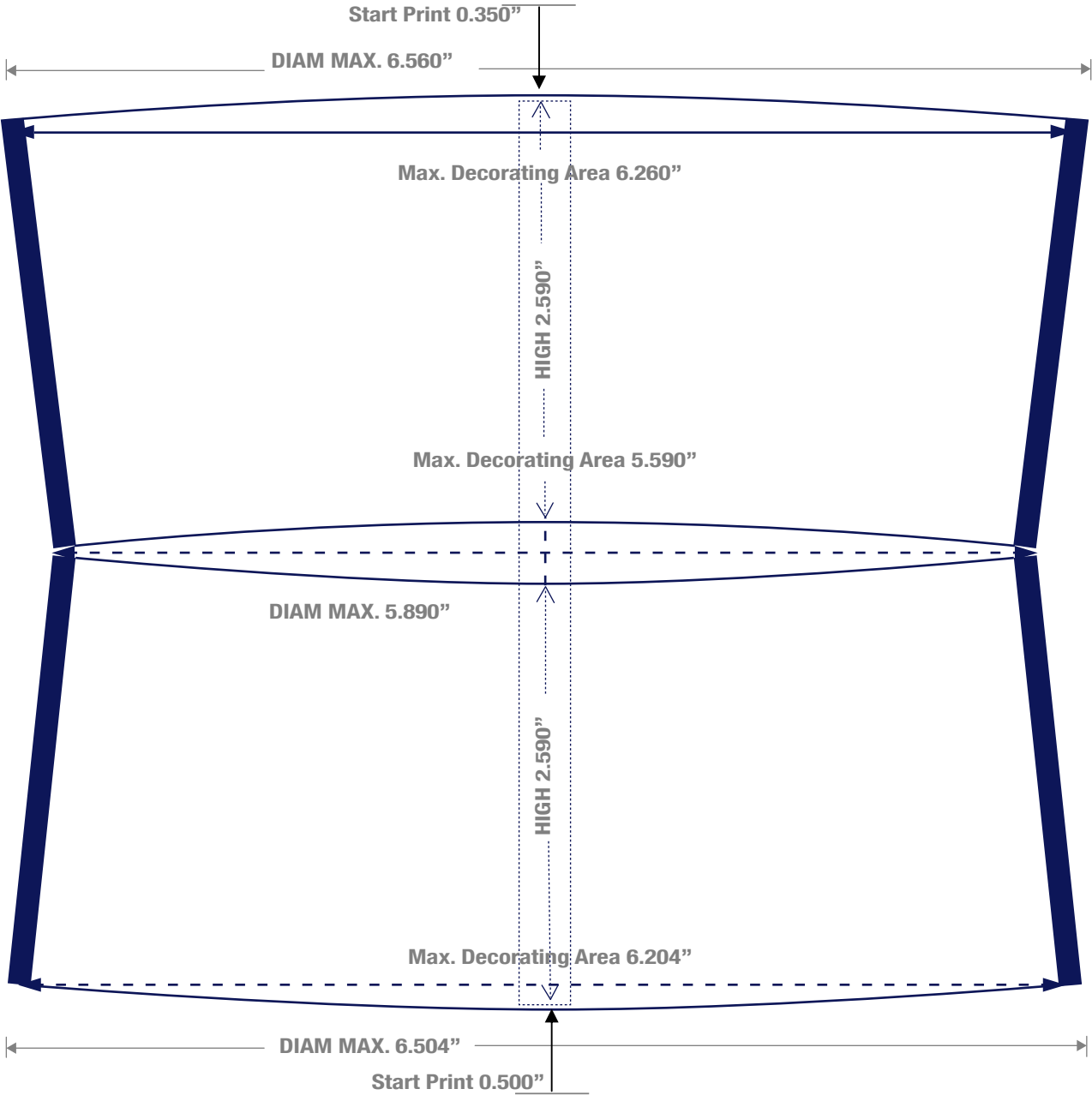


BOTTOM VIEW



CLASSIC CONTAINERS INC
 1700 S. Hellman Ave.
 Ontario, CA 91761
 Phone: 909-930-3610
 e-mail: info@classiccontainers.com
 www.classiccontainers.com

Drawing: 250 ml Pinched Waist Foamer 43 mm Spl	Gram Weight: 25 ± 2	Max Print Area (Height): 5.180"	Cases Per Pallet: 16
Stock Code: 0250012243S0000	Neck Finish: 43 mm Spl	Max Print Area (Width): 6.560"	Box Dimensions: 24 7/16 x 18 1/2 x 23
Manufacturing Process: Extrusion Blow Molding	Base Width (A): 2.100 ± 0.050	Case Pack: 340	Stock Material: HDPE
Overflow Capacity: 301 - 319 ml (10.2 - 10.8 oz)	Overall Height (B): 6.900 ± 0.060	Case Weight (lb): 21.6 ± 1.5	Rev #3 - 11/2015 Drawing not exactly to size.



1700 S Hellman Ave, Ontario, California 91761
 Phone: (909) 930-3610 | Fax: (909) 930-3640
 e-mail: info@classiccontainers.com
www.classiccontainers.com

A - Total Height.
B - Max. Decorating Area.
C - Total bottle circumference.
 - Unprintable area.