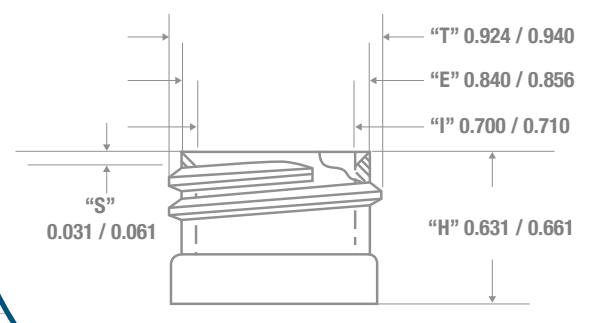
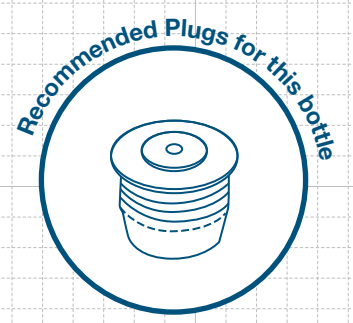
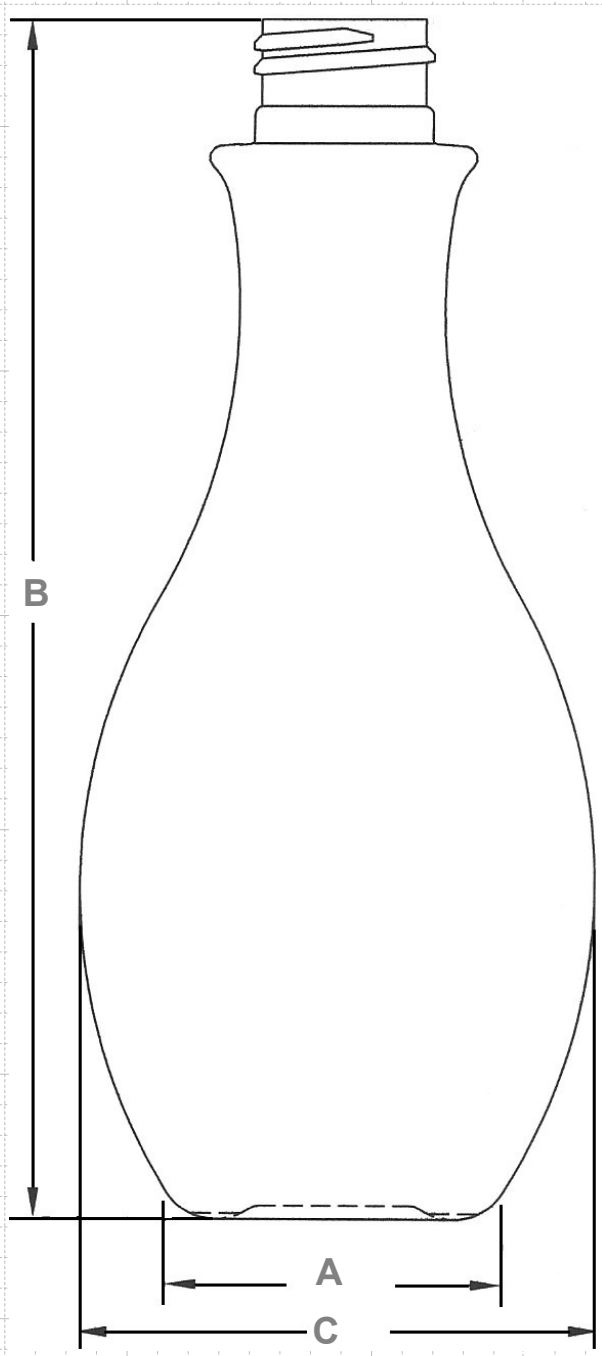


NECK & THREAD DETAIL

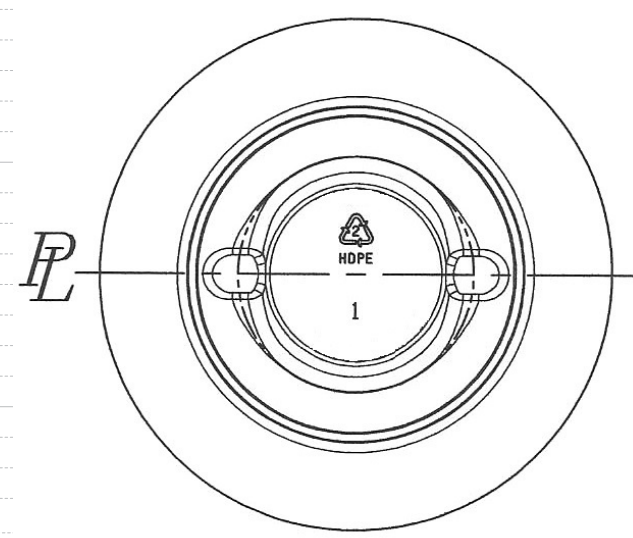


FRONT VIEW



Recommended Plugs for this bottle

FRICITION FIT



BOTTOM VIEW



CLASSIC CONTAINERS INC
1700 S. Hellman Ave.
Ontario, CA 91761
Phone: 909-930-3610
e-mail: info@classiccontainers.com
www.classiccontainers.com

Drawing: 250ml Genie 24/410	Gram Weight: 22.0 ± 2	Max Print Area (Height):	Cases Per Pallet: 16
Stock Code: 025000740240000	Neck Finish: 24/410	Max Print Area (Width):	Box Dimensions: 24 7/16 x 18 1/2 x 23
Manufacturing Process: Extrusion Blow Molding	Base Width (A) Base Deep (C): 1.736 ± 0.050 2.655 ± 050	Case Pack: 356	Stock Material:
Overflow Capacity: 259 -274 ml (8.80- 9.3 oz)	Overall Height (B): 6.225 ± 0.050	Case Weight (lb): 20.2 ± 1.6	Rev #0 02/2019 Drawing not exactly to size.