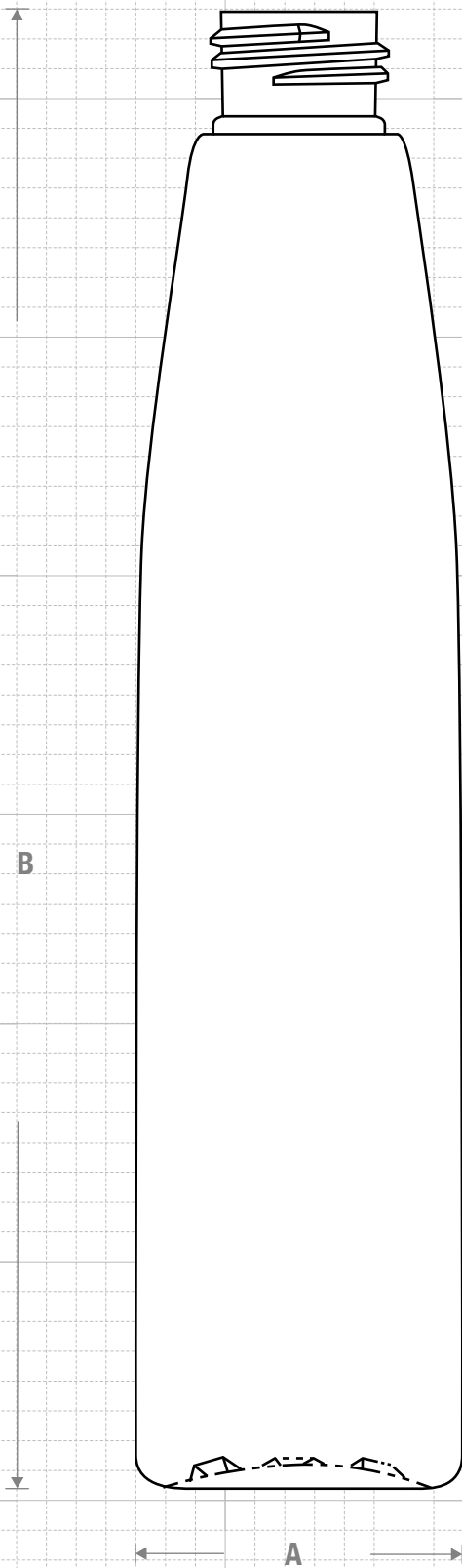
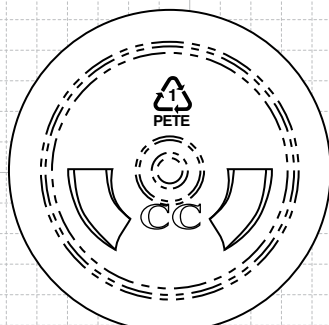
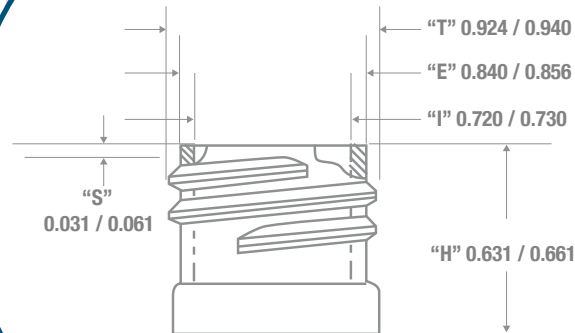


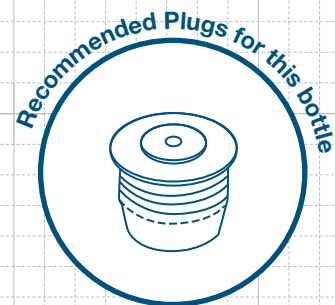
**FRONT VIEW**



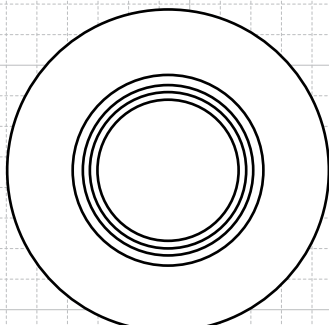
**NECK & THREAD DETAIL**



**BOTTOM VIEW**



**FRICION FIT**



**TOP VIEW**



**CLASSIC CONTAINERS INC**  
 1700 S. Hellman Ave.  
 Ontario, CA 91761  
 Phone: 909-930-3610  
 e-mail: info@classiccontainers.com  
 www.classiccontainers.com

Drawing:  
**250 ml Evolution Slim 24/410**

Gram Weight:  
**23 ± 1**

Max Print Area (Height):  
**4.740"**

Cases Per Pallet: **16**

Stock Code:  
**025000470240000**

Neck Finish:  
**24/410**

Max Print Area (Width):  
**5.430"**

Box Dimensions:  
**24 7/16 x 18 1/2 x 23**

Manufacturing Process:  
**Stretch Blow Molding**

Base Width (A):  
**1.805± 0.050**

Case Pack: **420**

Stock Material:



Overflow Capacity:  
**251- 268 ml (8.5 - 9.1 oz)**

Overall Height (B):  
**7.896 ± 0.050**

Case Weight (lb): **24.2 ± 0.9**

Rev #2 03/2016

Drawing not exactly to size.