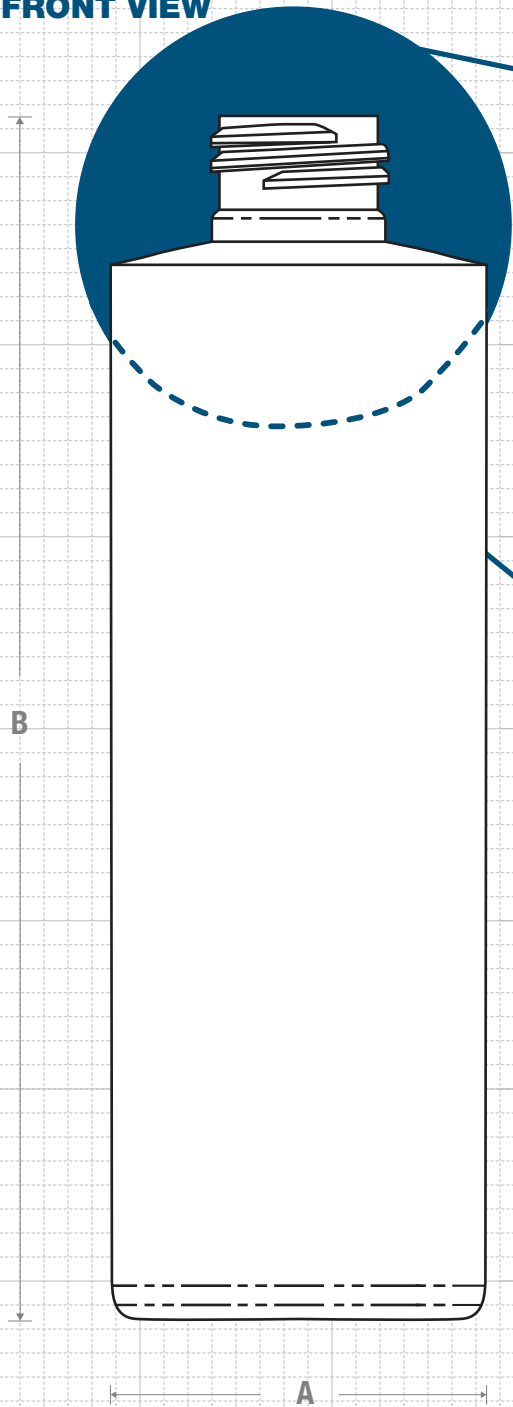
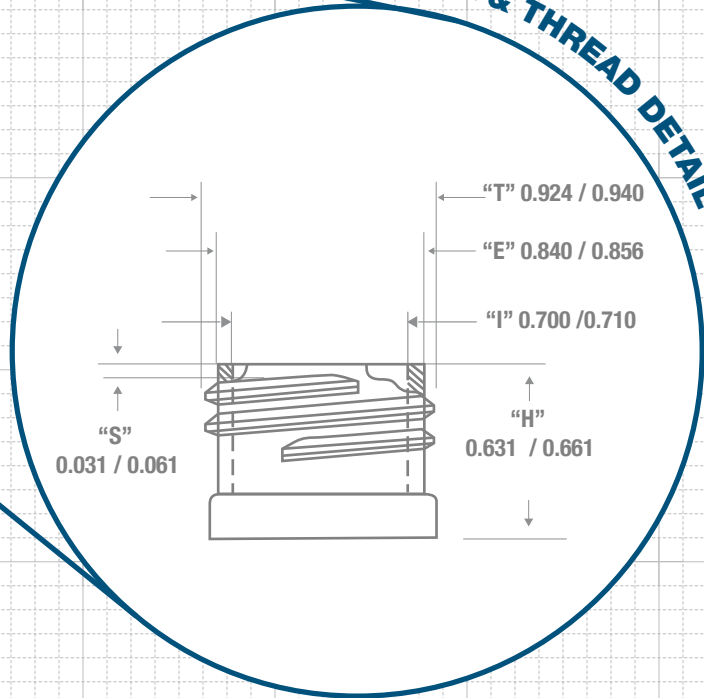


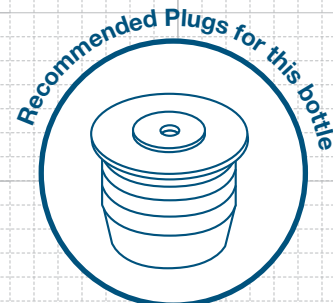
FRONT VIEW



NECK & THREAD DETAIL

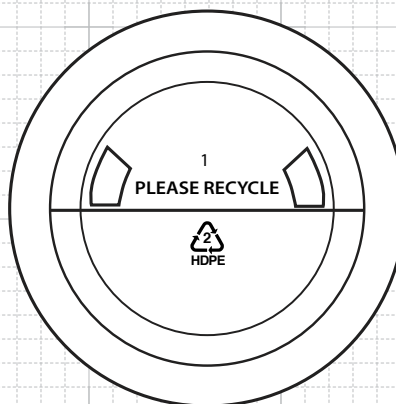


- 2 HDPE
- 4 LDPE
- 5 PP
- 7 OTHER



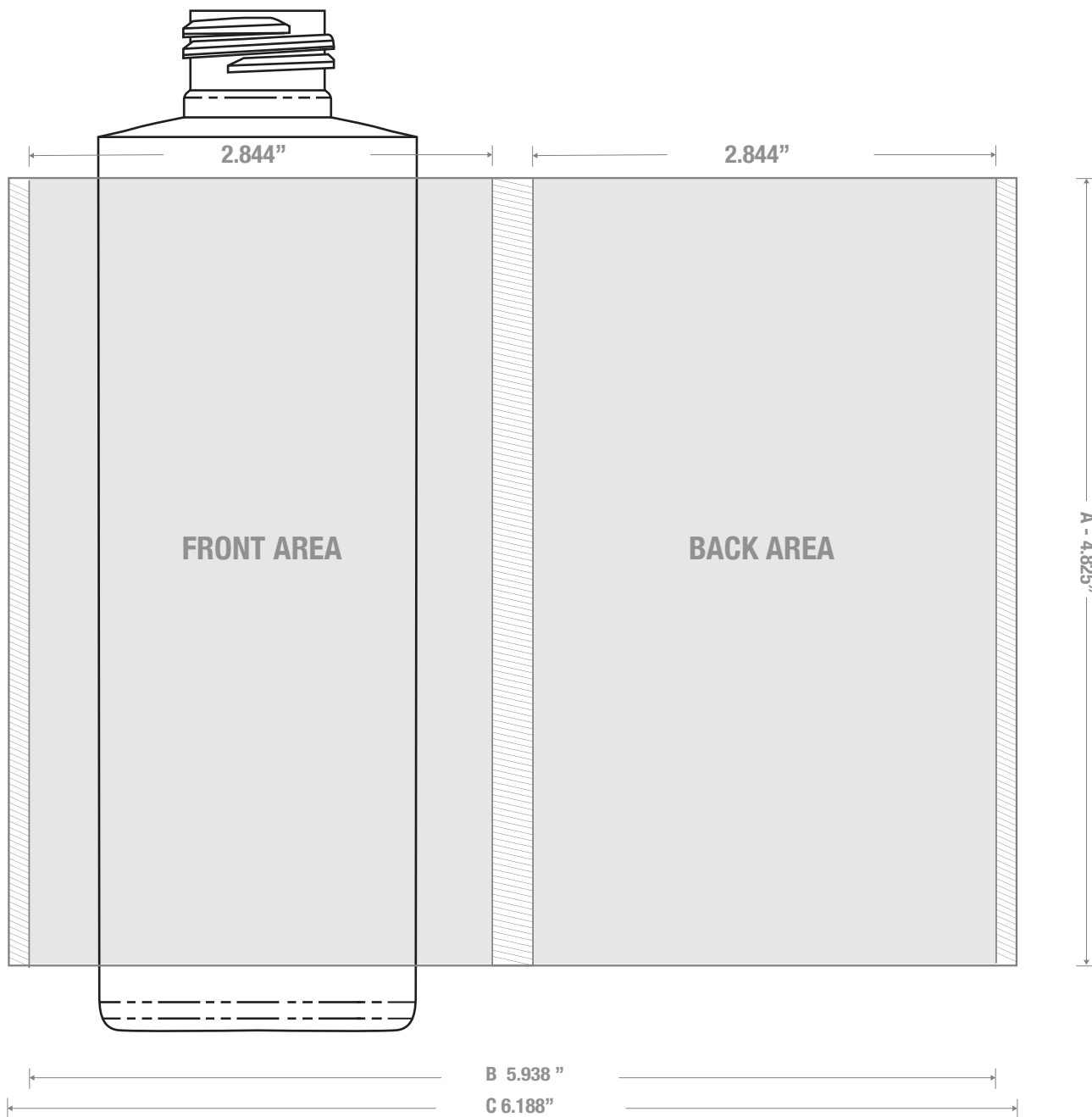
FRICITION FIT

BOTTOM VIEW

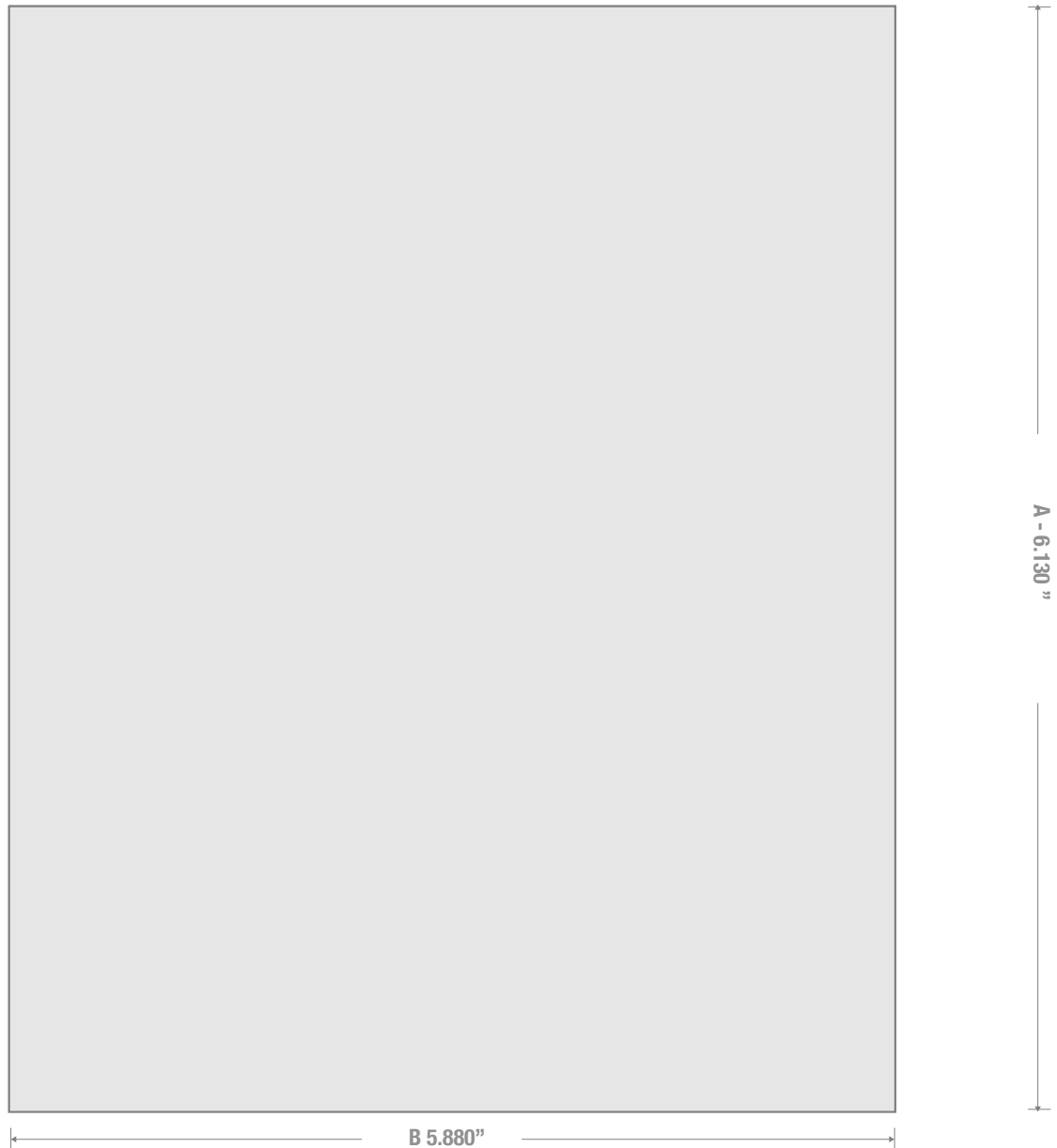


CLASSIC CONTAINERS INC
 1700 S. Hellman Ave.
 Ontario, CA 91761
 Phone: 909-930-3610
 e-mail: info@classiccontainers.com
 www.classiccontainers.com

Drawing: 250 ml Cylinder Round 24/410	Gram Weight: 24 ± 2	Max Print Area (Height): 4.825"	Cases Per Pallet: 16
Stock Code: 025000010240001	Neck Finish: 24/410	Max Print Area (Width): 5.938"	Box Dimensions: 24 7/16 x 18 1/2 x 23
Manufacturing Process: Extrusion Blow Molding	Base Width (A): 1.975 ± 0.050	Case Pack: 408	Stock Material:
Overflow Capacity: 255 - 269ml (8.62 - 9.10 fl oz)	Overall Height (B): 6.270 ± 0.050	Case Weight (lb): 24.4 ± 1.8	Rev #2- 4/2018 Drawing not exactly to size.



Labeling Area



1700 S Hellman Ave, Ontario, California 91761
Phone: (909) 930-3610 | Fax: (909) 930-3640
e-mail: info@classiccontainers.com
www.classiccontainers.com

A - Total Height.
B - Max. Decorating Area.