



Drawing:
250 ml Boston Round 24/410

Stock Code:
025000060241700

Manufacturing Process:
Stretch Blow Molding

Overflow Capacity:
263 - 280 ml (8.9 - 9.5 oz)

Gram Weight:
23 ± 1

Neck Finish:
24/410

Base Width (A):
2.325 ± 0.050

Overall Height (B):
4.900 ± 0.050

Max Print Area (Height):
3.031"

Max Print Area (Width):
7.109"

Case Pack: 378

Case Weight (lb): 22.0 ± 0.8

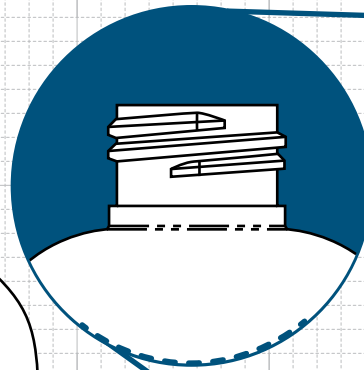
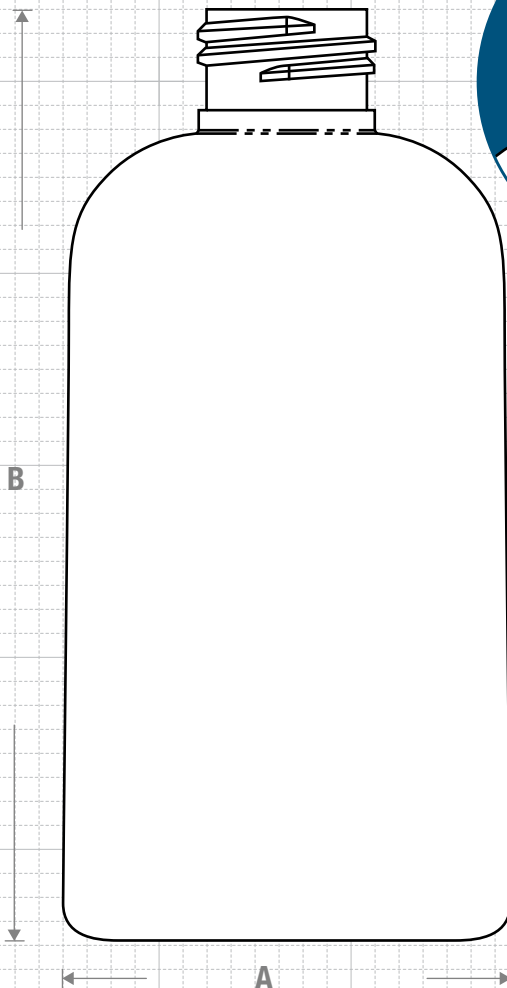
Cases Per Pallet: 16

Box Dimensions:
24 7/16 x 18 1/2 x 23

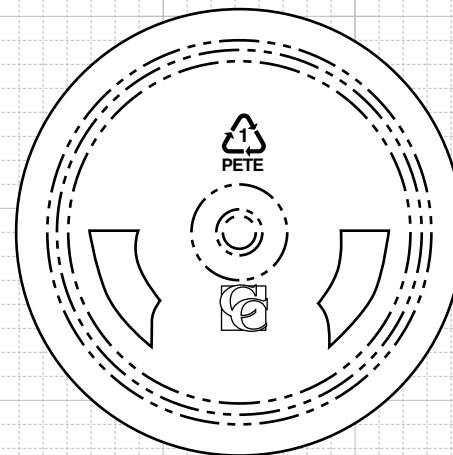
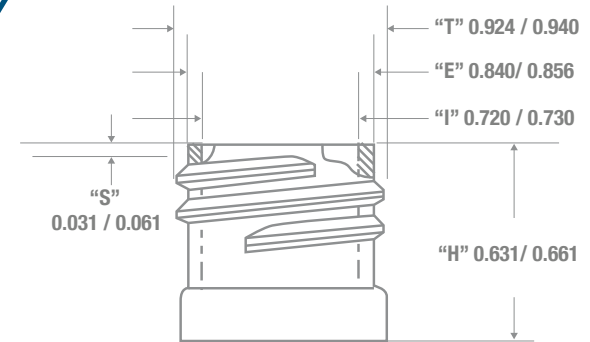
Stock Material:



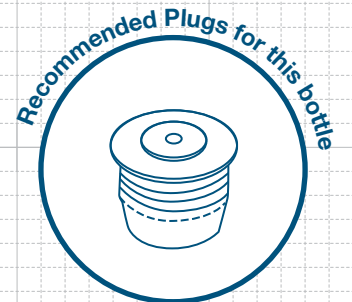
FRONT VIEW



NECK & THREAD DETAIL



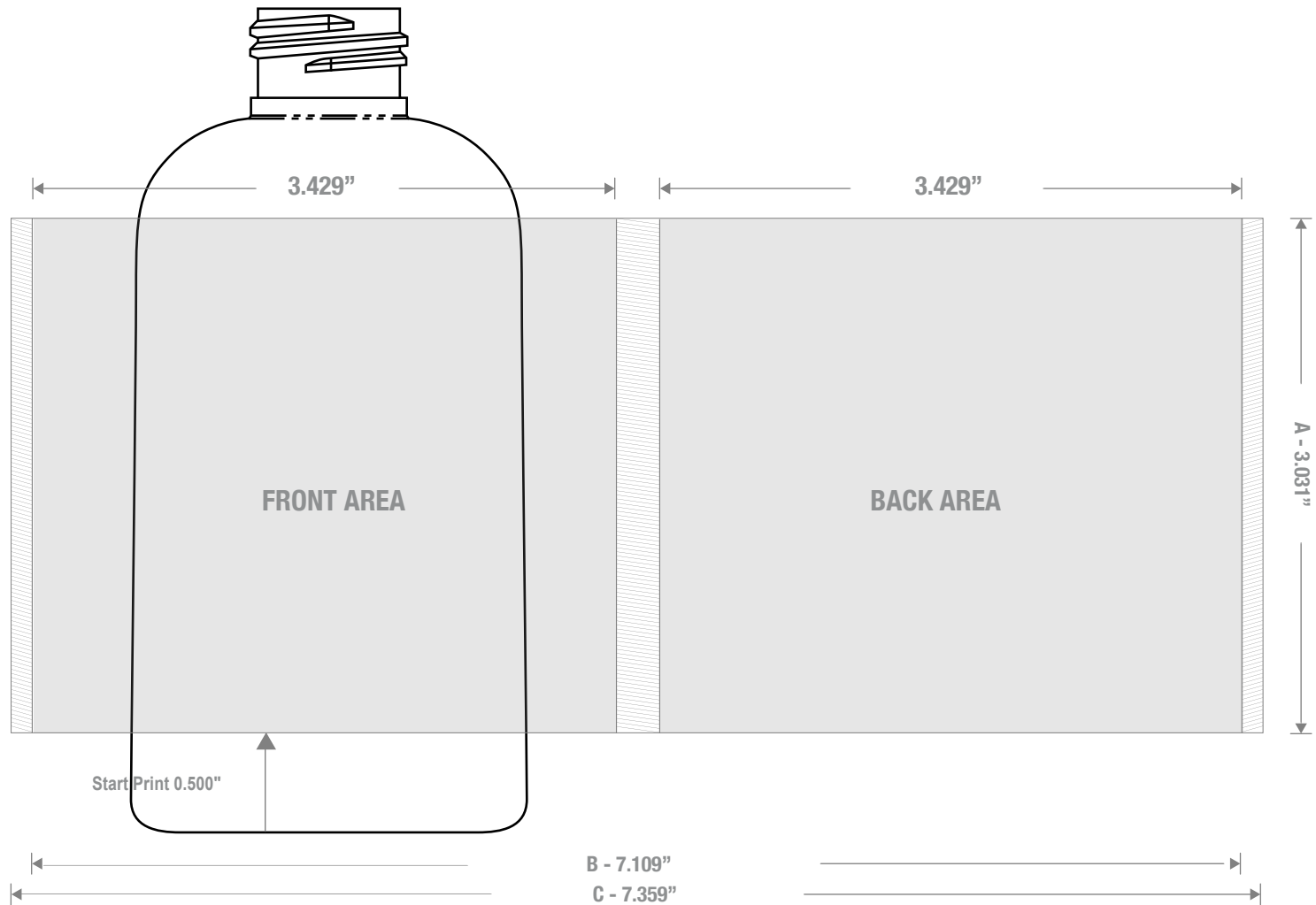
BOTTOM VIEW



FRICION FIT

CLASSIC CONTAINERS INC
1700 S. Hellman Ave.
Ontario, CA 91761
Phone: 909-930-3610
e-mail: info@classiccontainers.com
www.classiccontainers.com

PRINTING SPECIFICATIONS: 250 ml BOSTON ROUND 24/410



1700 S Hellman Ave, Ontario, California 91761
Phone: (909) 930-3610 | Fax: (909) 930-3640
e-mail: info@classiccontainers.com
www.classiccontainers.com

A - Total Height.
B - Max. Decorating Area.
C - Total bottle circumference.
☒ - Unprintable area.

LABELING SPECIFICATIONS: 250 ml BOSTON ROUND 24/410



1700 S Hellman Ave, Ontario, California 91761
Phone: (909) 930-3610 | Fax: (909) 930-3640
e-mail: info@classiccontainers.com
www.classiccontainers.com

A - Total Height.
B - Max. Decorating Area.