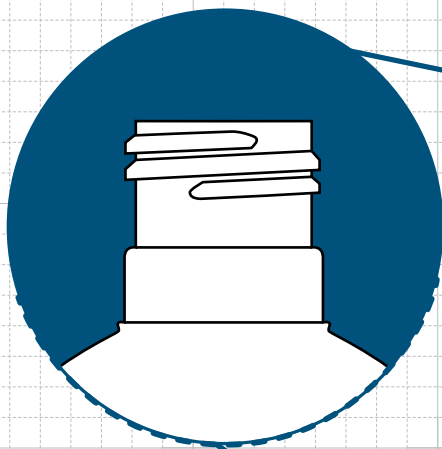
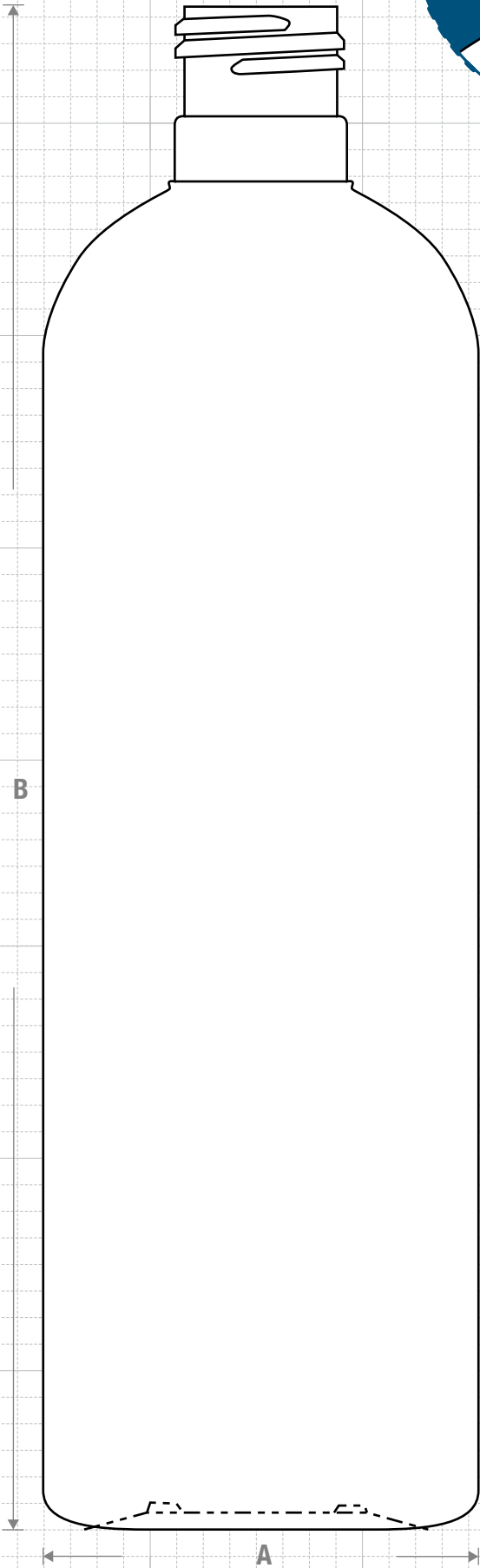
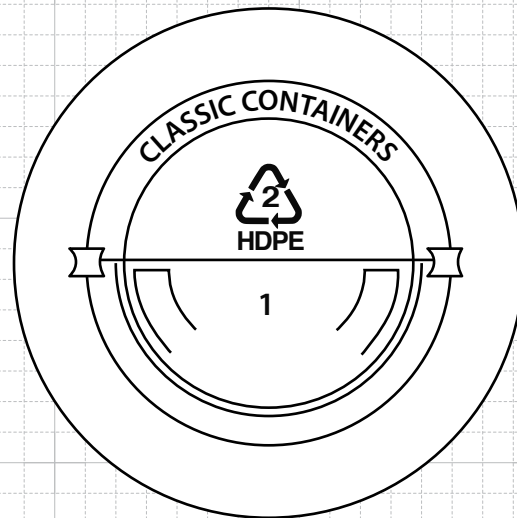
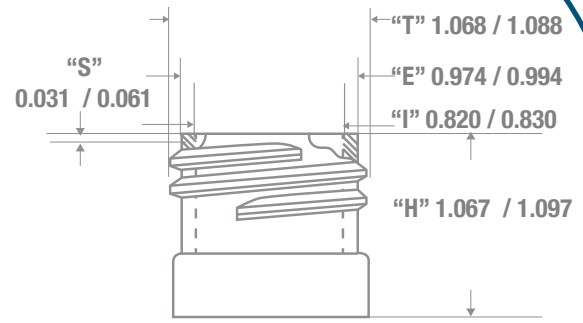




FRONT VIEW



NECK & THREAD DETAIL



BOTTOM VIEW



CLASSIC CONTAINERS INC
1700 S. Hellman Ave.
Ontario, CA 91761
Phone: 909-930-3610
e-mail: info@classiccontainers.com
www.classiccontainers.com

Drawing:
20 oz Royalty Round 28/415

Gram Weight:
43.0 ± 2

Max Print Area (Height):
6.312"

Cases Per Pallet: **16**

Stock Code:
002000040290000

Neck Finish:
28/415

Max Print Area (Width):
8.063"

Box Dimensions:
24 7/16 x 18 1/2 x 23

Manufacturing Process:
Extrusion Blow Molding

Base Width (A):
2.650± 0.050

Case Pack: **172**

Stock Material:



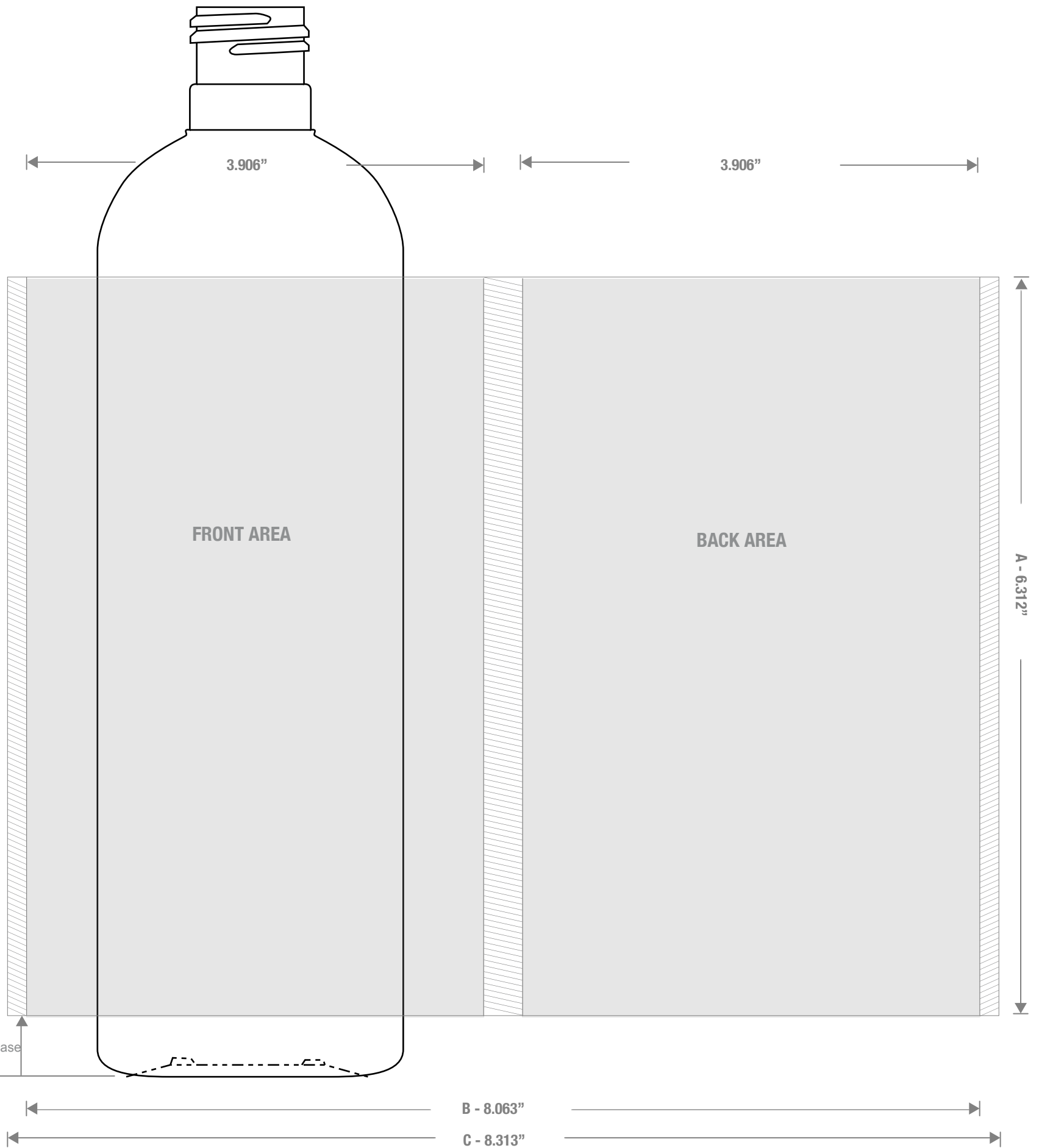
Overflow Capacity:
637- 661 ml (21.6 - 22.4 oz)

Overall Height (B):
9.100 ± 0.050

Case Weight (lb): **19.2 ± 0.8**

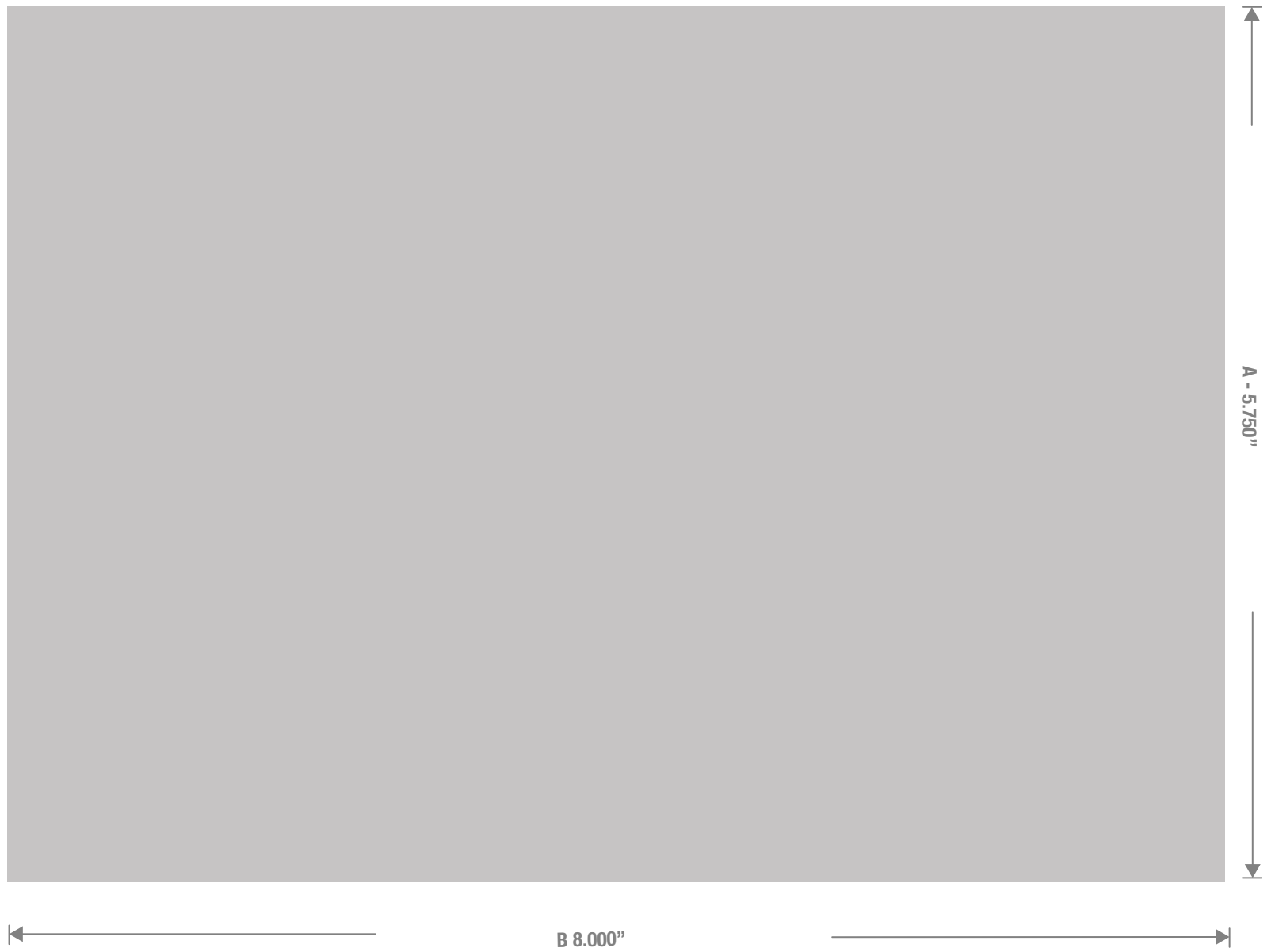
Rev #2 06/2016

Drawing not exactly to size.



1700 S Hellman Ave, Ontario, California 91761
Phone: (909) 930-3610 | Fax: (909) 930-3640
e-mail: info@classiccontainers.com
www.classiccontainers.com

A - Total Height.
B - Max. Decorating Area.
C - Total bottle circumference.
▨ - Unprintable area.



1700 S Hellman Ave, Ontario, California 91761
Phone: (909) 930-3610 | Fax: (909) 930-3640
e-mail: info@classiccontainers.com
www.classiccontainers.com

A - Total Height.
B - Total bottle circumference.