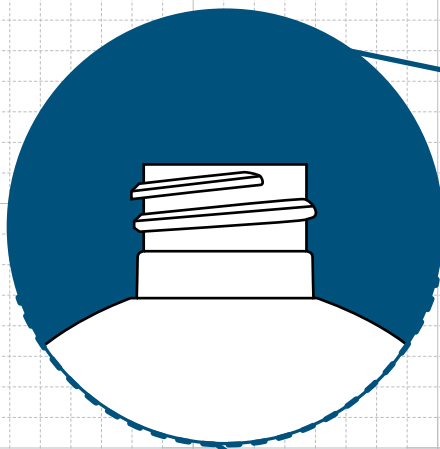
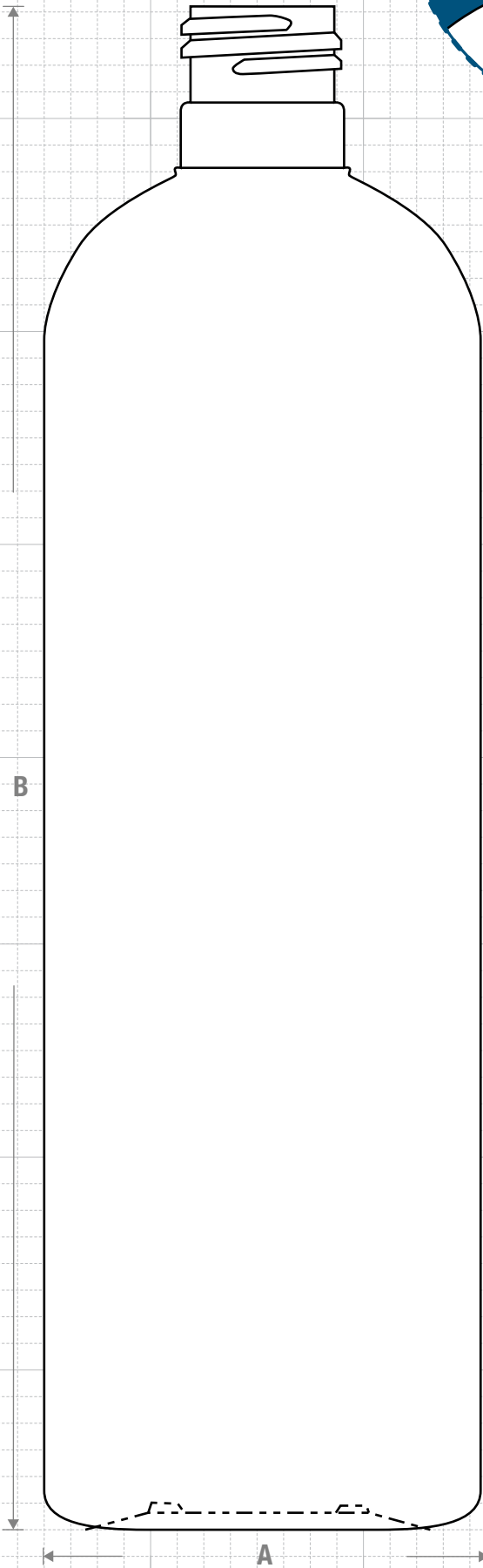
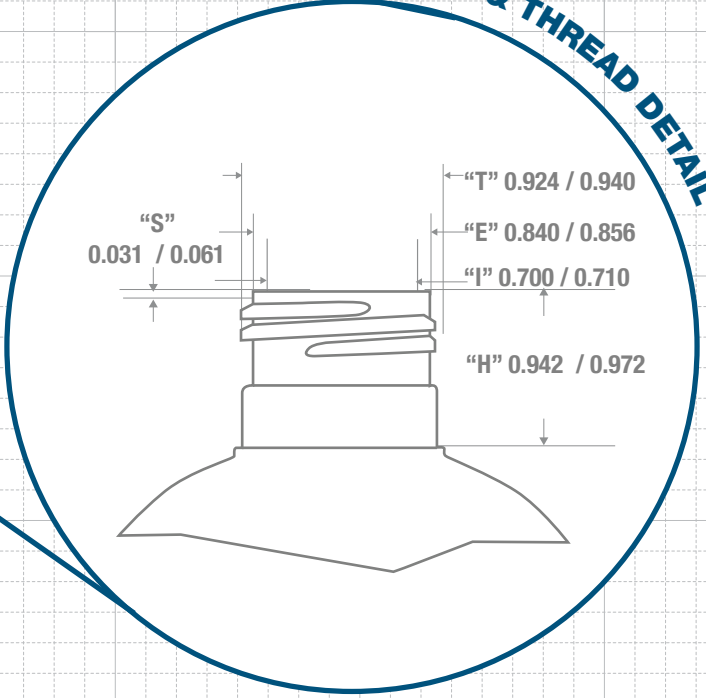




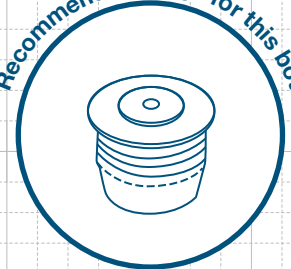
**FRONT VIEW**



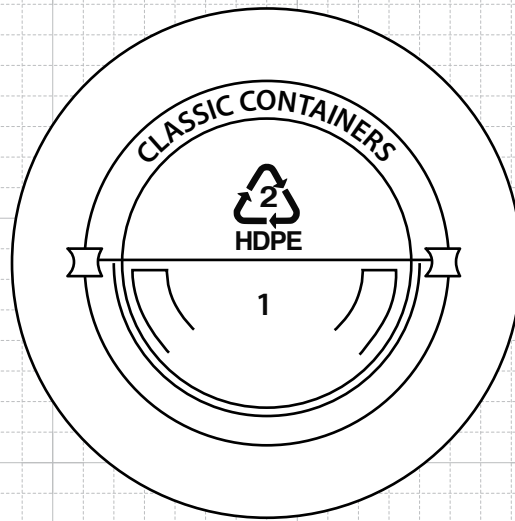
**NECK & THREAD DETAIL**



Recommended Plugs for this bottle



**FRICTION FIT**

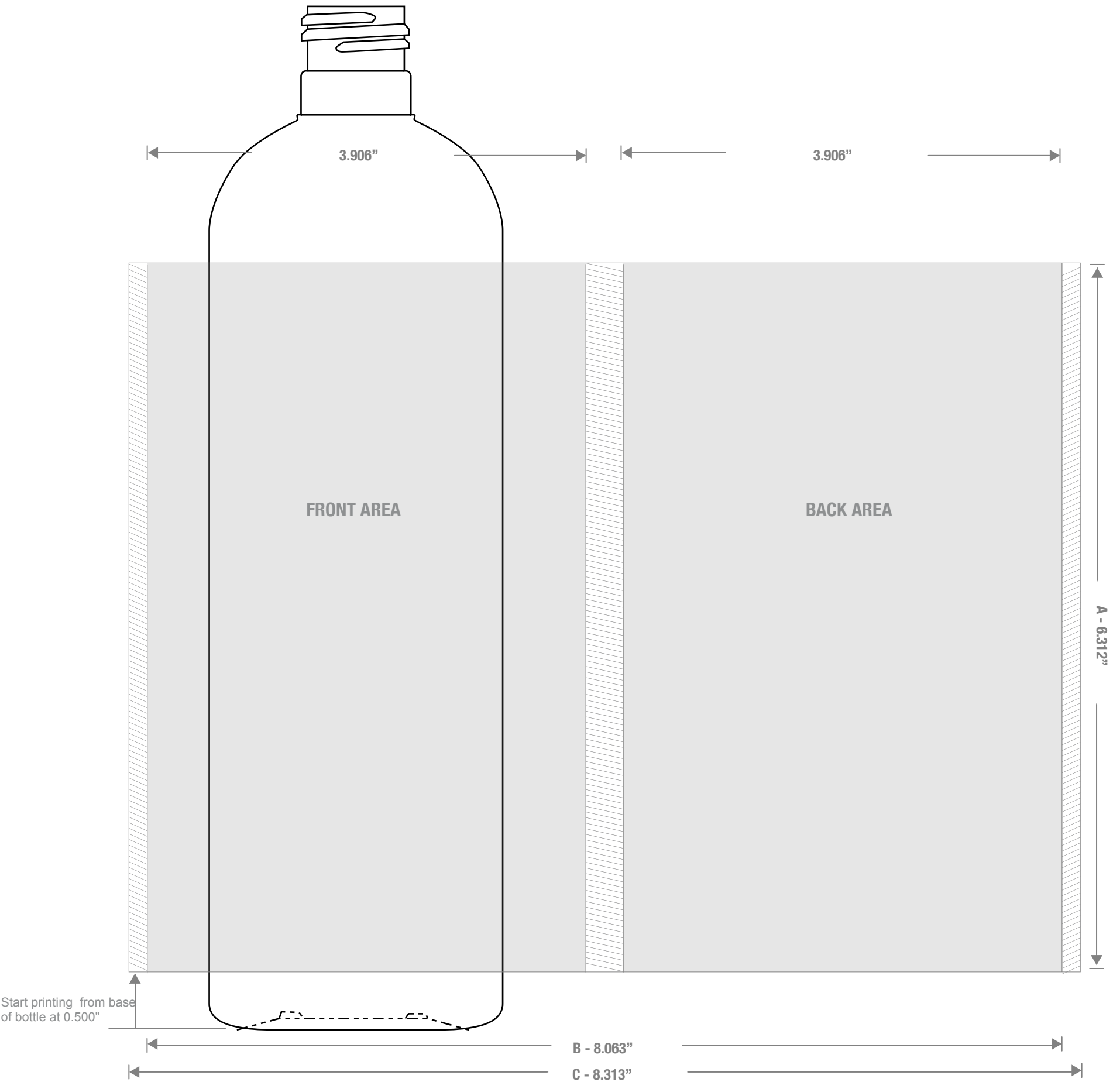


**BOTTOM VIEW**



**CLASSIC CONTAINERS INC**  
1700 S. Hellman Ave.  
Ontario, CA 91761  
Phone: 909-930-3610  
e-mail: info@classiccontainers.com  
www.classiccontainers.com

Drawing: <b>20 oz Royalty Round 24/415</b>	Gram Weight: <b>43.0 ± 2</b>	Max Print Area (Height): <b>6.312"</b>	Cases Per Pallet: <b>16</b>
Stock Code: <b>002000040250000</b>	Neck Finish: <b>24/415</b>	Max Print Area (Width): <b>8.063"</b>	Box Dimensions: <b>24 7/16 x 18 1/2 x 23</b>
Manufacturing Process: <b>Extrusion Blow Molding</b>	Base Width (A): <b>2.650± 0.050</b>	Case Pack: <b>172</b>	Stock Material:
Overflow Capacity: <b>631- 655 ml (21.4 - 22.2 oz)</b>	Overall Height (B): <b>9.000 ± 0.050</b>	Case Weight (lb): <b>19.2 ± 0.8</b>	Rev #2 06/2016 Drawing not exactly to size.



1700 S Hellman Ave, Ontario, California 91761  
Phone: (909) 930-3610 | Fax: (909) 930-3640  
e-mail: info@classiccontainers.com  
[www.classiccontainers.com](http://www.classiccontainers.com)

A - Total Height.  
B - Max. Decorating Area.  
C - Total bottle circumference.  
▨ - Unprintable area.

