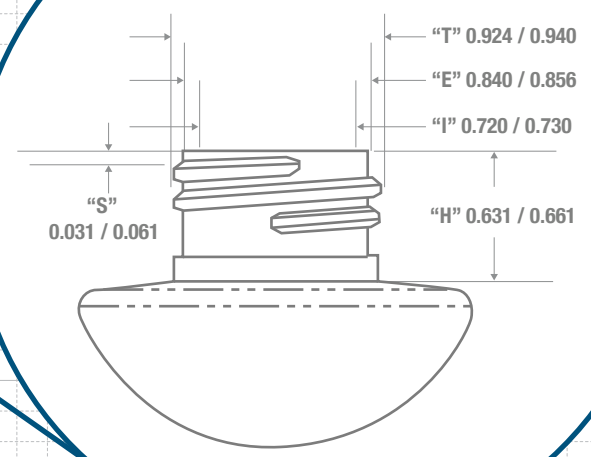
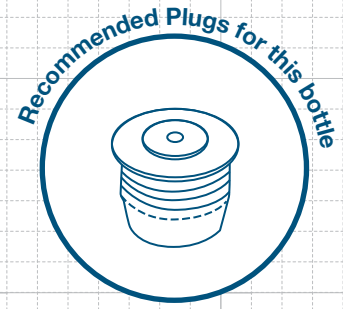
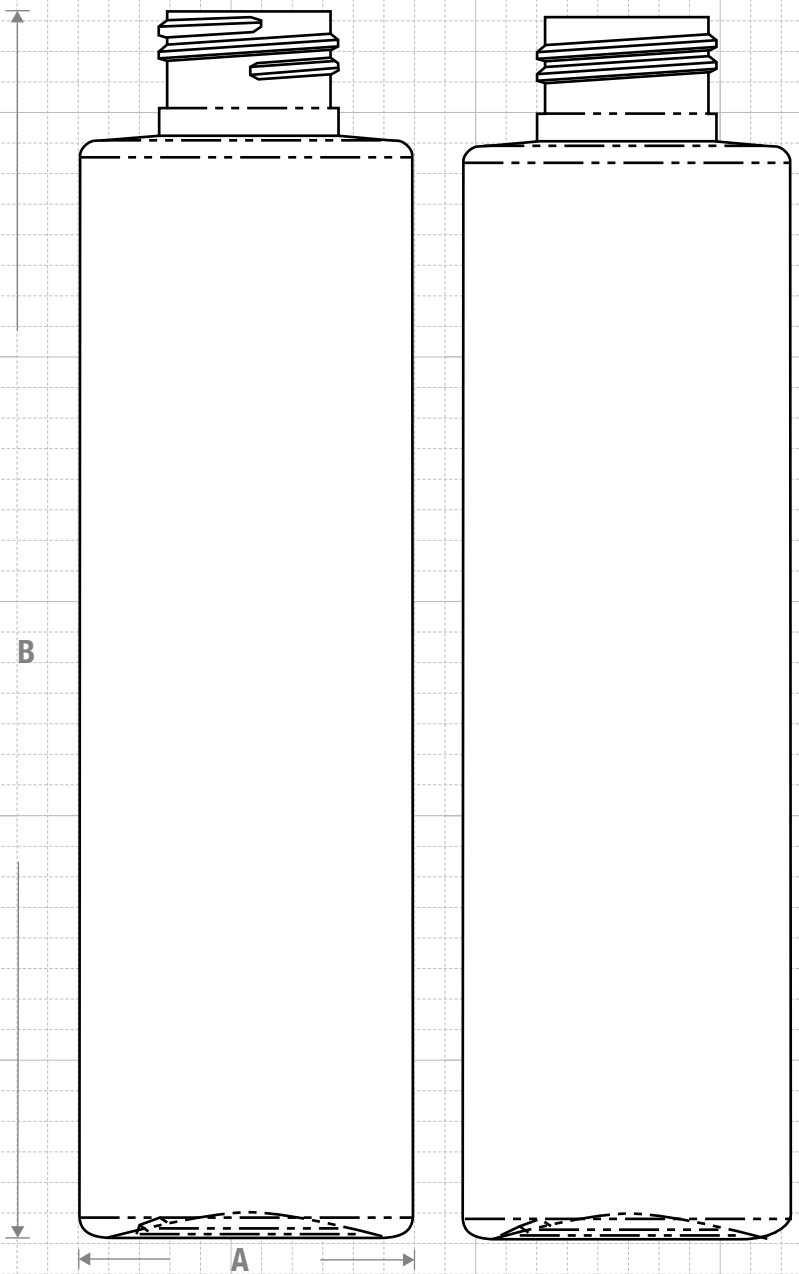


**NECK & THREAD DETAIL**

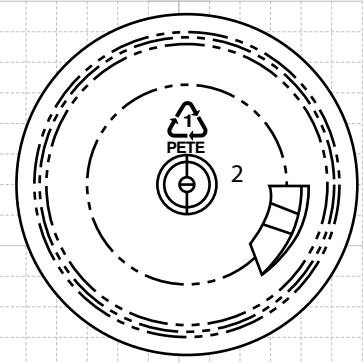


**FRONT VIEW**

**RIGHT VIEW**



**FRICION FIT**

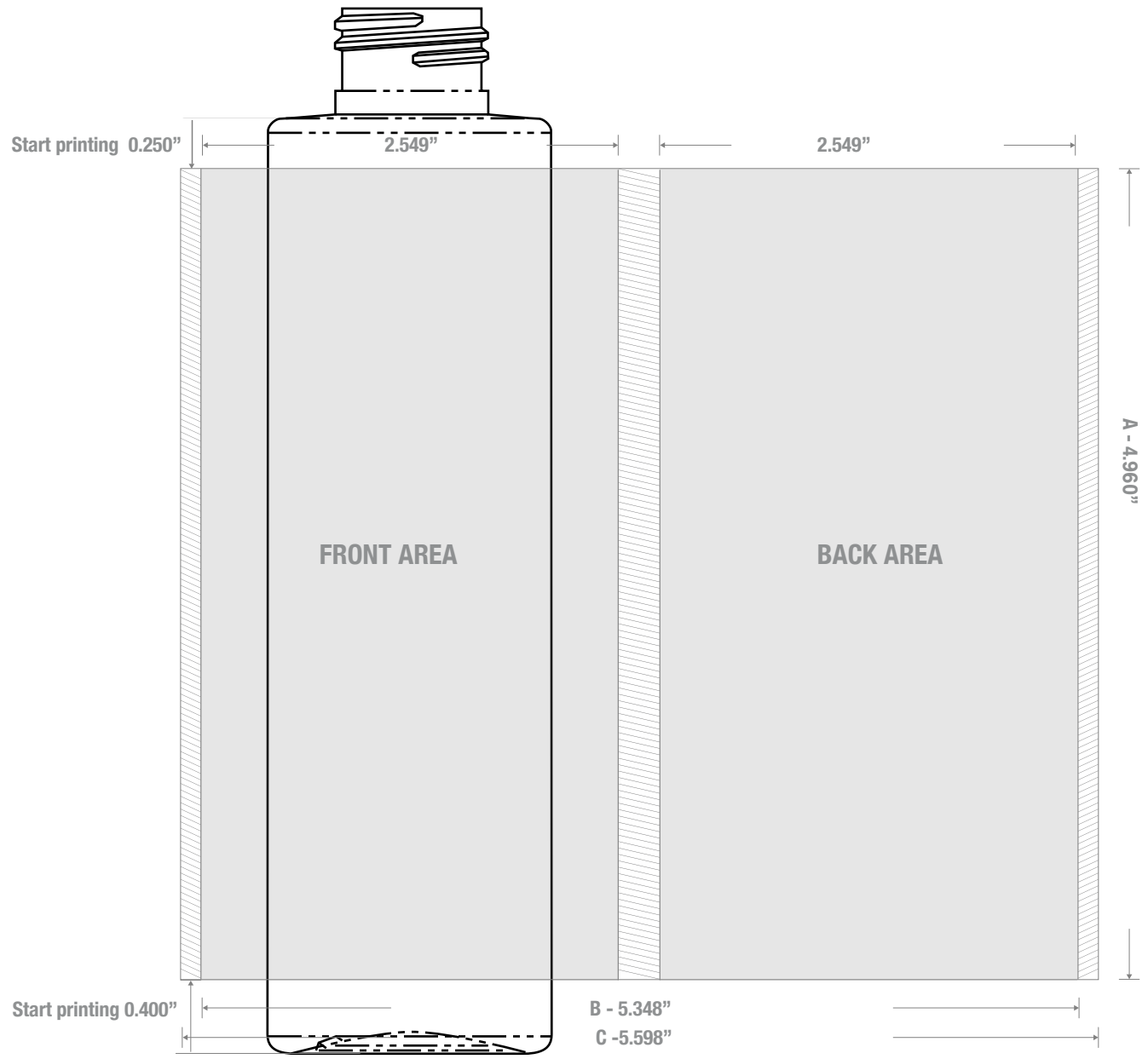


**BOTTOM VIEW**



**CLASSIC CONTAINERS INC**  
 1700 S. Hellman Ave.  
 Ontario, CA 91761  
 Phone: 909-930-3610  
 e-mail: info@classiccontainers.com  
 www.classiccontainers.com

Drawing: <b>200 ml Cylinder Round 24/410</b>	Gram Weight: <b>24.5 ± 1</b>	Max Print Area (Height): <b>4.960"</b>	Cases Per Pallet: <b>16</b>
Stock Code: <b>020000010241700</b>	Neck Finish: <b>24/410</b>	Max Print Area (Width): <b>5.348"</b>	Box Dimensions: <b>24 7/16 x 18 1/2 x 23</b>
Manufacturing Process: <b>Stretch Blow Molding</b>	Base Width (A): <b>1.775± 0.050</b>	Case Pack: <b>528</b>	Stock Material:
Overflow Capacity: <b>209 -224 ml (7.10 - 7.60 oz)</b>	Overall Height (B): <b>6.350 ± 0.050</b>	Case Weight (lb): <b>31.4 ± 1.2</b>	Rev #1 09/2014 <span style="float: right;">Drawing not exactly to size.</span>





1700 S Hellman Ave, Ontario, California 91761  
Phone: (909) 930-3610 | Fax: (909) 930-3640  
e-mail: [info@classiccontainers.com](mailto:info@classiccontainers.com)  
[www.classiccontainers.com](http://www.classiccontainers.com)

A - Total Height.  
B - Max. Decorating Area.