



Drawing:
1 oz Cylinder Round Short
20/415

Stock Code:
000100850210000

Manufacturing Process:
Extrusion Blow Molding

Overflow Capacity:
31 - 34 ml (1.05 - 1.15 oz)

Gram Weight:
6.0 ± 0.5

Neck Finish:
20/415

Base Width (A):
1.165 ± 0.050

Overall Height (B):
2.695 ± 0.050

Max Print Area (Height):
2.187

Max Print Area (Width):
3.250"

Case Pack: 1758

Case Weight (lb): 25.4 ± 1.9

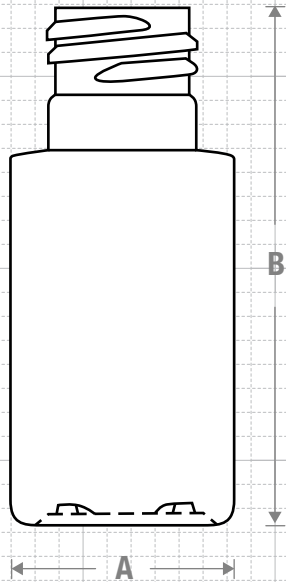
Cases Per Pallet: 25

Box Dimensions:
23 5/8 x15 9/16 x17

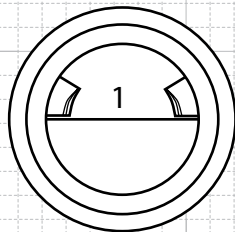
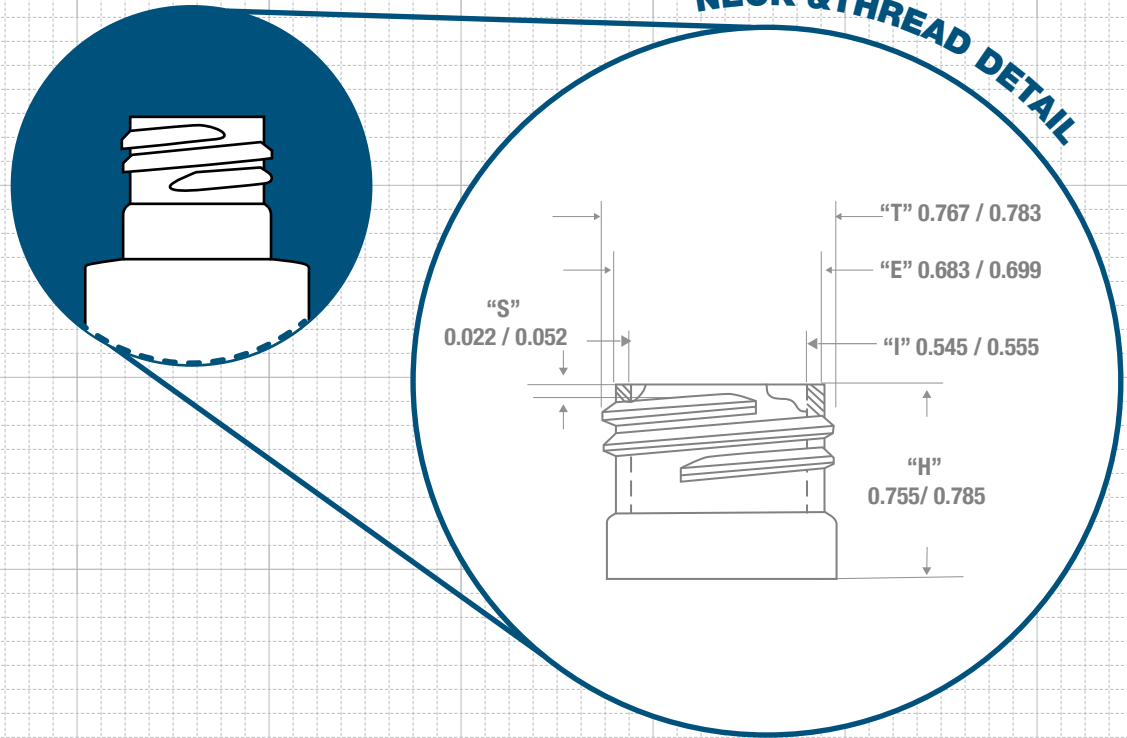
Stock Material:



FRONT VIEW



NECK & THREAD DETAIL

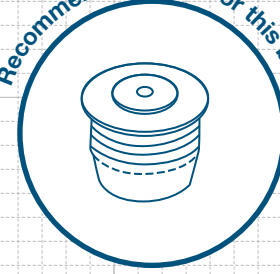


BOTTOM VIEW

Recommended Plugs for this bottle



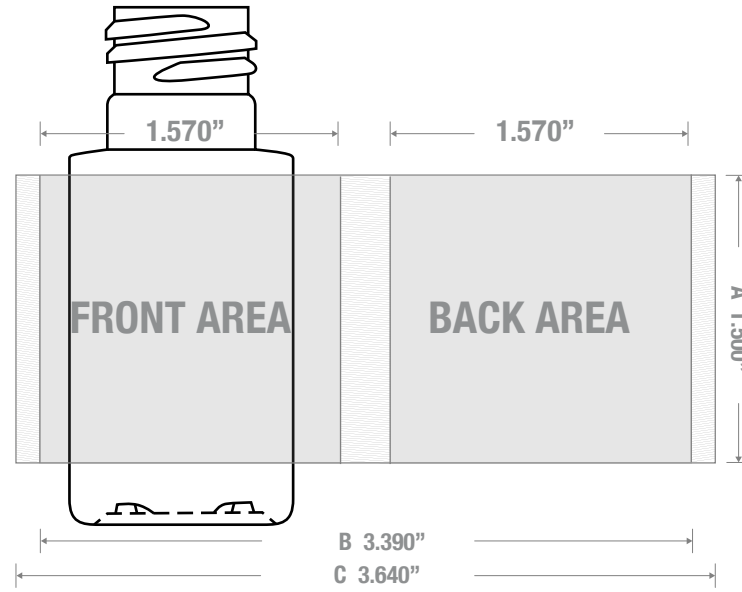
Recommended Plugs for this bottle



FRICION FIT

CLASSIC CONTAINERS INC
1700 S. Hellman Ave.
Ontario, CA 91761
Phone: 909-930-3610
e-mail: info@classiccontainers.com
www.classiccontainers.com

PRINTING SPECIFICATIONS: 1 OZ CYLINDER ROUND SHORT 20/415



1700 S Hellman Ave, Ontario, California 91761
Phone: (909) 930-3610 | Fax: (909) 930-3640
e-mail: info@classiccontainers.com
www.classiccontainers.com

A - Total Height.
B - Max. Decorating Area.
C - Total bottle circumference.
▨ - Unprintable area.