



Drawing:
1 oz Boston Round 15/415

Stock Code:
000100060150000

Manufacturing Process:
Injection Blow Molding

Overflow Capacity:
32.5 - 38.0 ml (1.1 - 1.3 oz)

Gram Weight:
6.5 ± 0.5

Neck Finish:
15/415

Base Width (A):
1.210 ± 0.050

Overall Height (B):
2.780 ± 0.050

Max Print Area (Height):
1.500"

Max Print Area (Width):
3.688"

Case Pack: **1554**

Case Weight (lb): **24.4 ± 1.7**

Cases Per Pallet: **25**

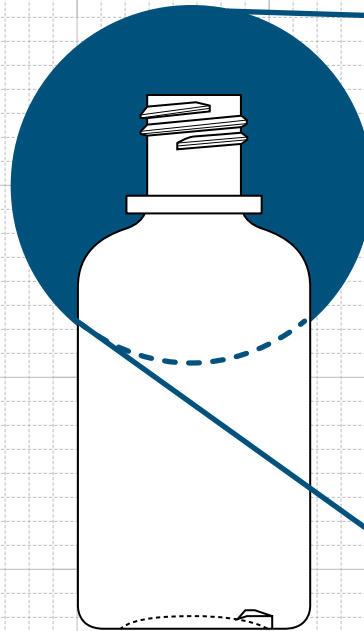
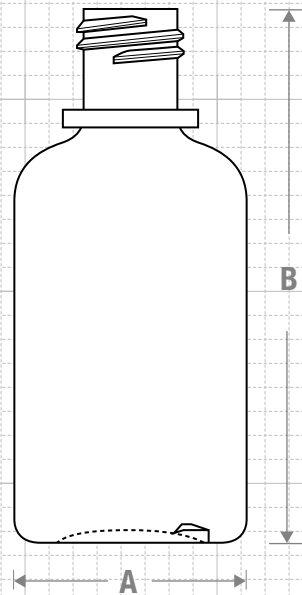
Box Dimensions:
23 5/8 x 15 9/16 x 17

Stock Material:

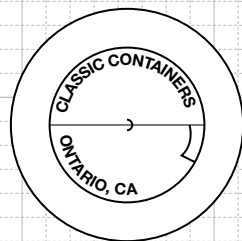
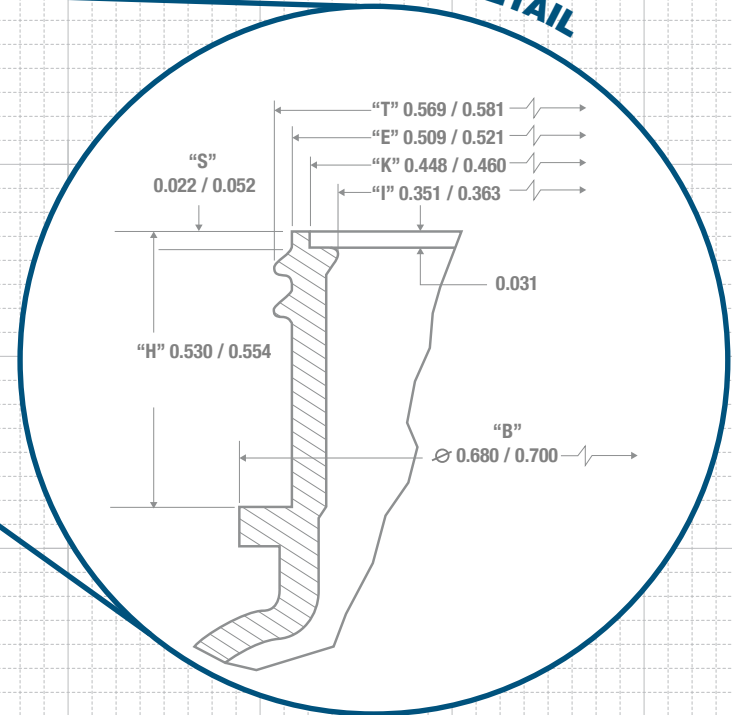


CLASSIC CONTAINERS INC
1700 S. Hellman Ave.
Ontario, CA 91761
Phone: 909-930-3610
e-mail: info@classiccontainers.com
www.classiccontainers.com

FRONT VIEW



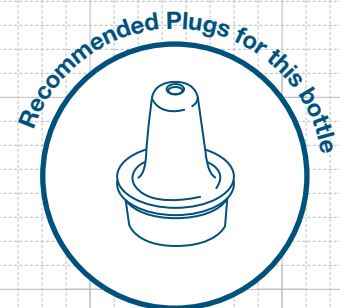
THREAD DETAIL



BOTTOM VIEW

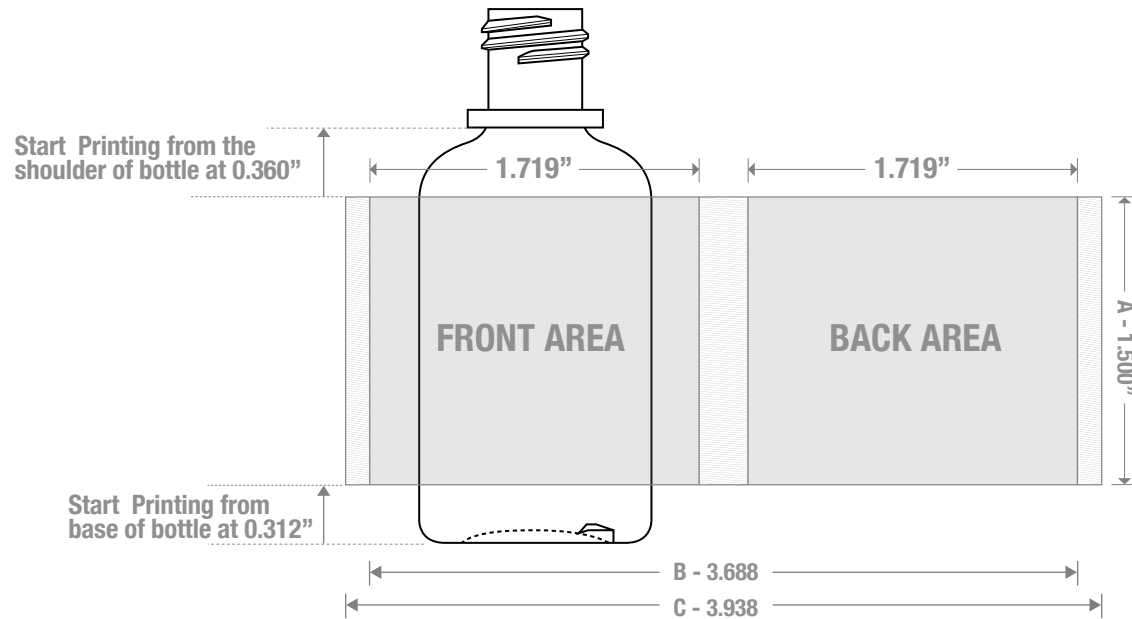


DROPPER TIP CAP



SNAP FIT

PRINTING SPECIFICATIONS: 1 oz BOSTON ROUND



1700 S Hellman Ave, Ontario, California 91761
Phone: (909) 930-3610 | Fax: (909) 930-3640
e-mail: info@classiccontainers.com
www.classiccontainers.com

A - Total Height.
B - Max. Decorating Area.
C - Total bottle circumference.
☒ - Unprintable area.

LABELING SPECIFICATIONS: 1 oz BOSTON ROUND



1700 S Hellman Ave, Ontario, California 91761
Phone: (909) 930-3610 | Fax: (909) 930-3640
e-mail: info@classiccontainers.com
www.classiccontainers.com

A - Total Height.
B - Max. Decorating Area.