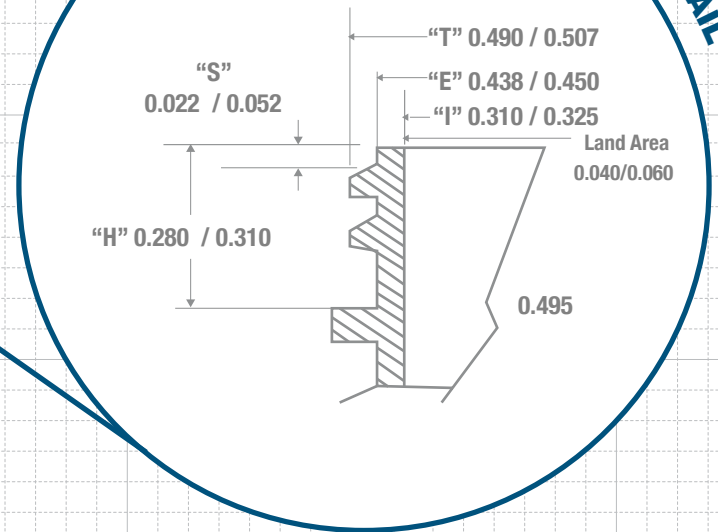
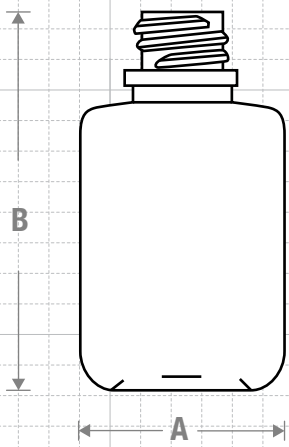


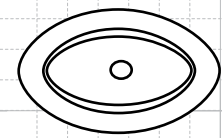
NECK & THREAD DETAIL



FRONT VIEW



SIDE VIEW



BOTTOM VIEW



CLASSIC CONTAINERS INC
 1700 S. Hellman Ave.
 Ontario, CA 91761
 Phone: 909-930-3610
 e-mail: info@classiccontainers.com
 www.classiccontainers.com

Drawing:
1/4 oz Drug Oval 13/425

Gram Weight:
3.7 ± 0.5

Max Print Area (Height):
1.00"

Cases Per Pallet: **20**

Stock Code:
014F00210140000

Neck Finish:
13/425

Max Print Area (Width):
0.687"

Box Dimensions:
23^{5/8} x 15^{9/16} x 17

Manufacturing Process:
Injection Blow Molding

Base Width (A): Base Deep (C)
1.050 ± 0.050 0.650 ± 0.050

Case Pack: **4000**

Stock Material:



Overflow Capacity:
8.85 - 11.8 ml (0.30 - 0.40 oz)

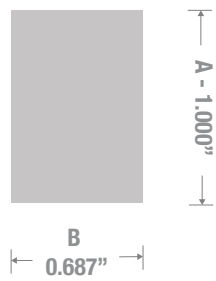
Overall Height (B):
1.980 ± 0.050

Case Weight (lb): **34.7 ± 4.4**

Rev #3 - 06/2016

Drawing not exactly to size.

FRONT



BACK

