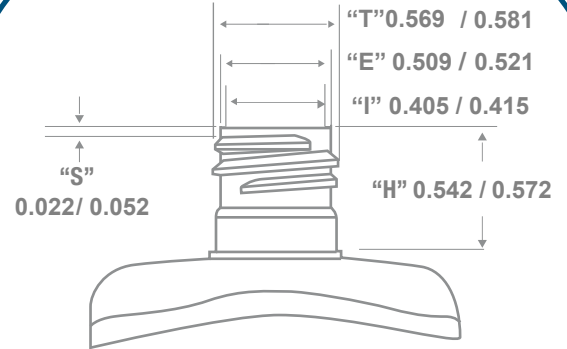
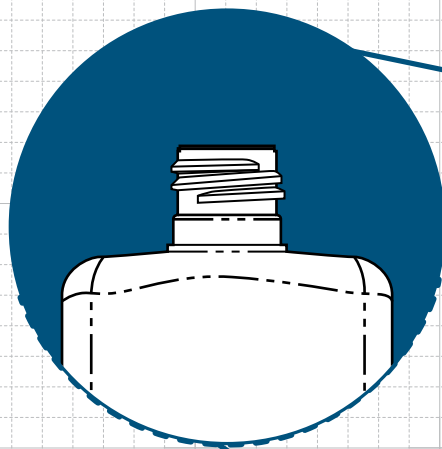
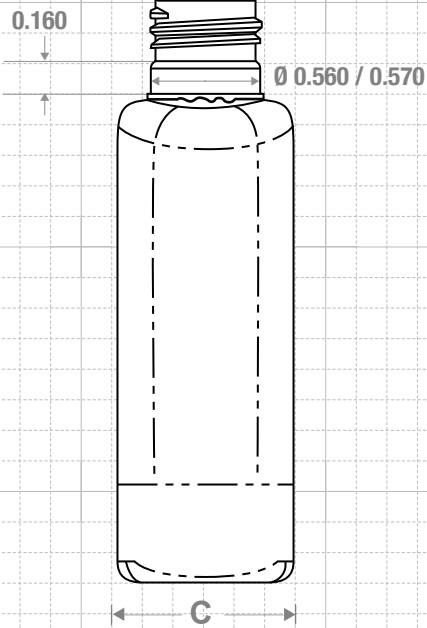
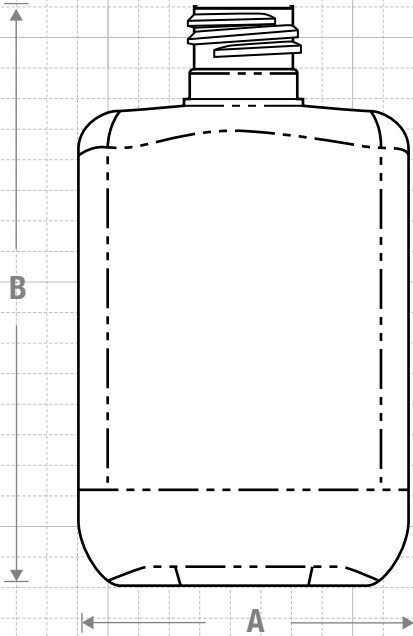




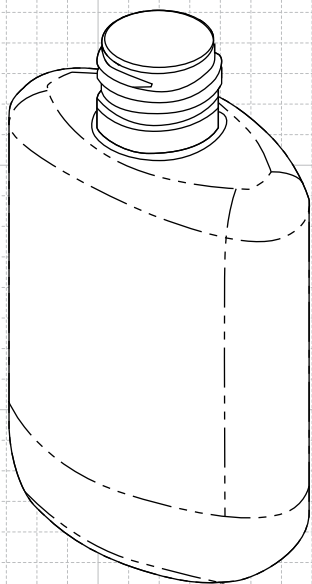
NECK & THREAD DETAIL



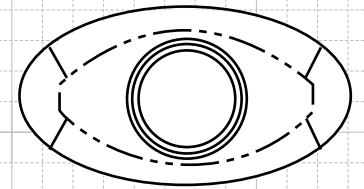
FRONT VIEW



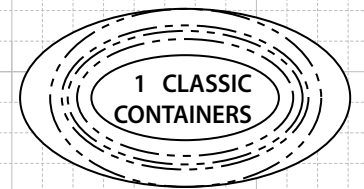
SIDE VIEW



DROPPER TIP CAP



TOP VIEW



BOTTOM VIEW



CLASSIC CONTAINERS INC
 1700 S. Hellman Ave.
 Ontario, CA 91761
 Phone: 909-930-3610
 e-mail: info@classiccontainers.com
 www.classiccontainers.com

Drawing:
1 1/4 oz Drug Oval 15/415
Friction Fit

Stock Code:
0114002101500FF

Manufacturing Process:
Extrusion Blow Molding

Overflow Capacity:
41.3 - 44.2 ml (1.40 - 1.50 oz)

Gram Weight:
6 ± 1

Neck Finish:
15/415 Friction Fit

Base Width (A): Base Deep (C)
1.725 ± 0.050 0.925 ± 0.050

Overall Height (B):
3.080 ± 0.050

Max Print Area (Height):
1.750"

Max Print Area (Width):
1.250"

Case Pack: **1300**

Case Weight (lb): **19.3 ± 2.9**

Cases Per Pallet: **25**

Box Dimensions:
23 5/8 x 15 9/16 x 17

Stock Material:

Rev #0 - 01/2018 Drawing not exactly to size.

