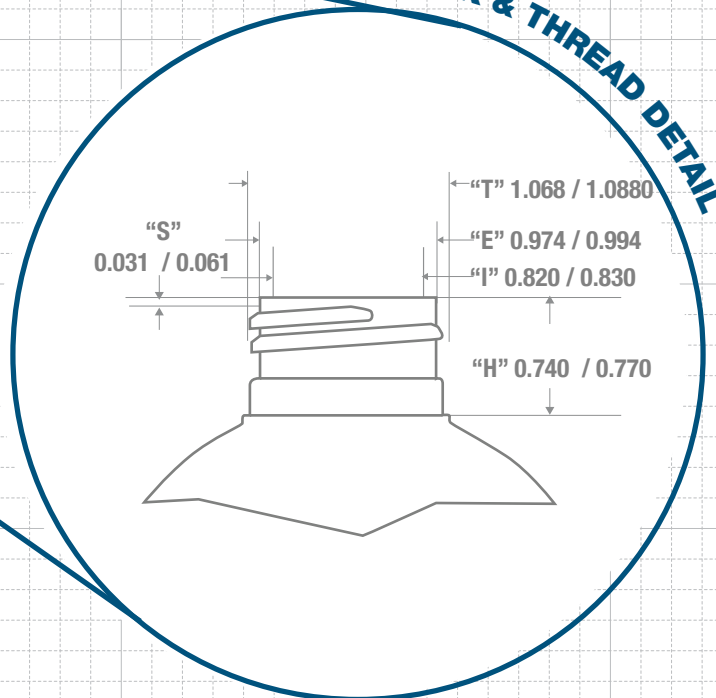
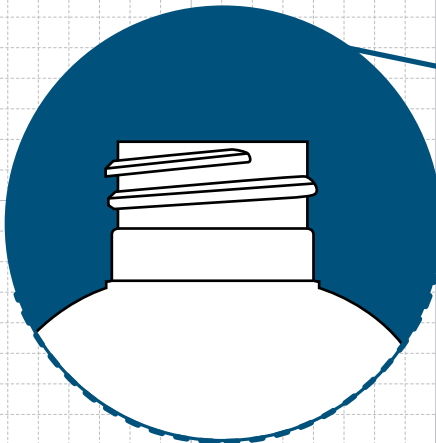
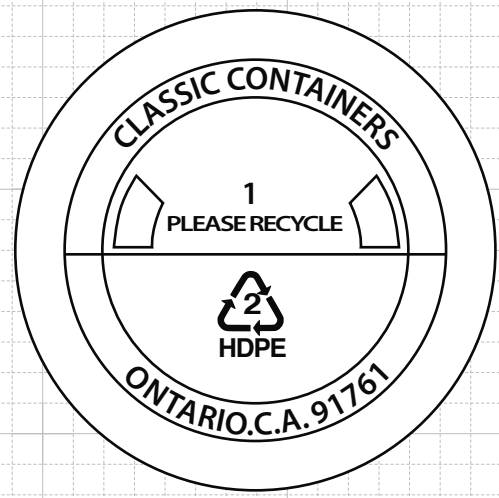
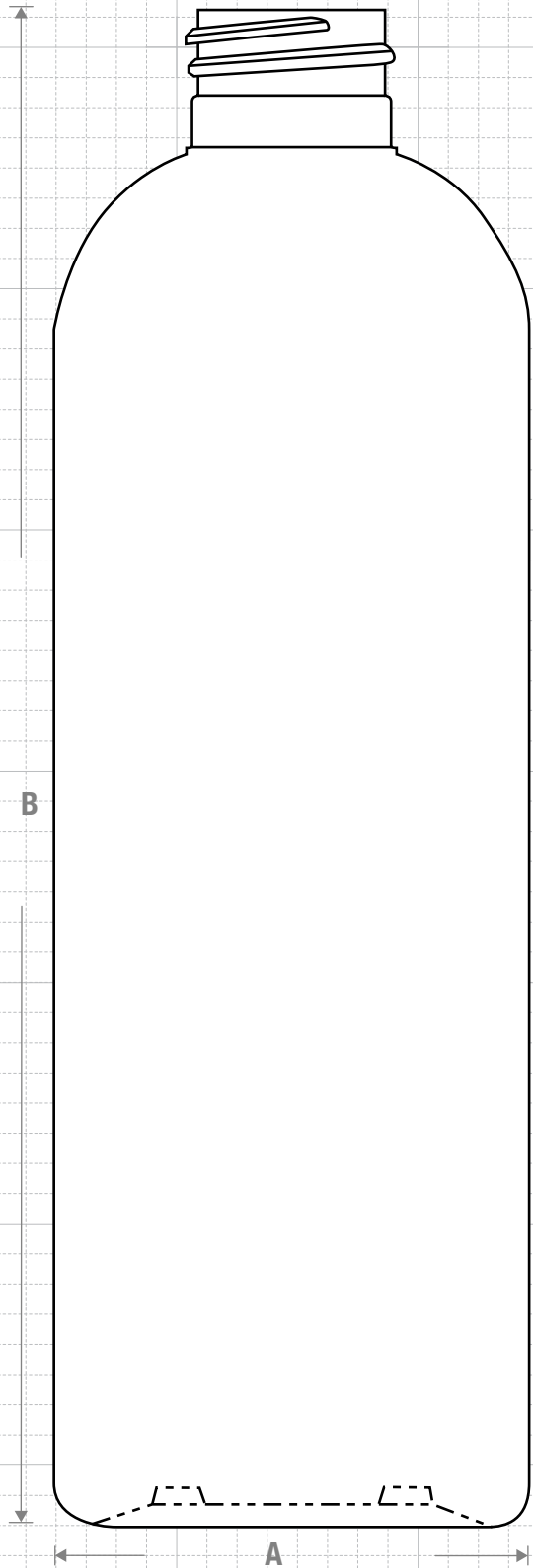




NECK & THREAD DETAIL



FRONT VIEW



BOTTOM VIEW



CLASSIC CONTAINERS INC
1700 S. Hellman Ave.
Ontario, CA 91761
Phone: 909-930-3610
e-mail: info@classiccontainers.com
www.classiccontainers.com

Drawing:
17 oz Royalty 28 Spl

Gram Weight:
33.0 ± 2

Max Print Area (Height):
5.750"

Cases Per Pallet: **16**

Stock Code:
0017000428S0000

Neck Finish:
28 Spl

Max Print Area (Width):
7.625"

Box Dimensions:
24 7/16 x 18 1/2 x 23

Manufacturing Process:
Extrusion Blow Molding

Base Width (A):
2.500 ± 0.050

Case Pack: **231**

Stock Material:



Overflow Capacity:
516 -534 ml (17.5 - 18.1 oz)

Overall Height (B):
7.998 ± 0.050

Case Weight (lb): **19.7 ± 1.0**

Rev #1 06/2016

Drawing not exactly to size.

