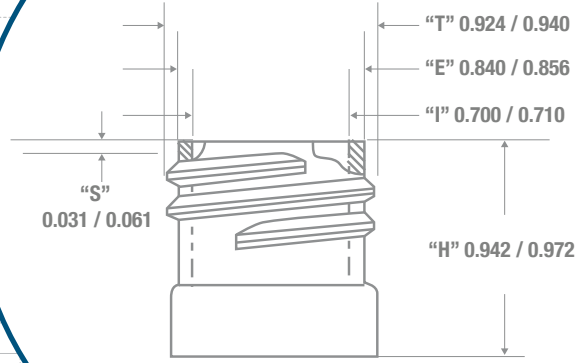


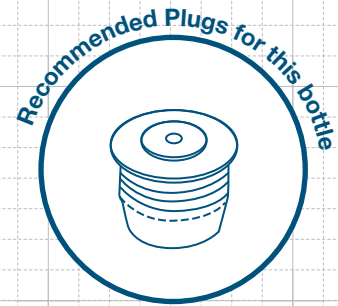
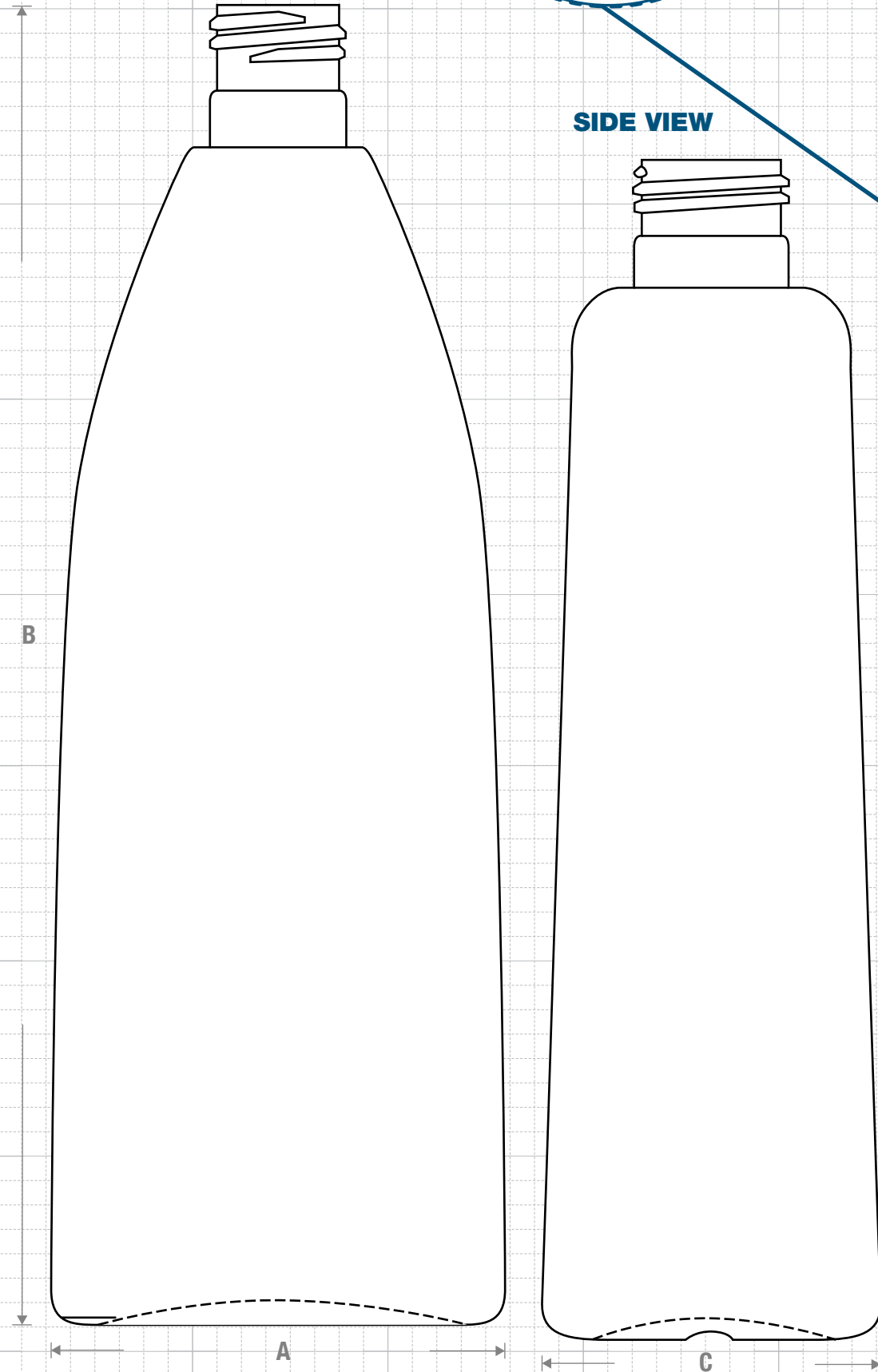


NECK & THREAD DETAIL

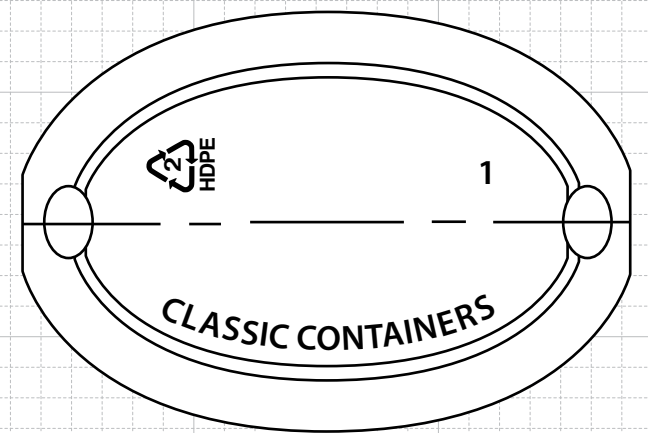


FRONT VIEW

SIDE VIEW



FRICITION FIT



BOTTOM VIEW



CLASSIC CONTAINERS INC
 1700 S. Hellman Ave.
 Ontario, CA 91761
 Phone: 909-930-3610
 e-mail: info@classiccontainers.com
 www.classiccontainers.com

Drawing:
16 oz Teardrop 24/415

Gram Weight:
32 ± 2

Max Print Area (Height):
5.625"

Cases Per Pallet: **16**

Stock Code:
001600350250000

Neck Finish:
24/415

Max Print Area (Width):
 Shoulder: **1.000"** Base: **2.375"**

Box Dimensions:
24 7/16 x 18 1/2 x 23

Manufacturing Process:
Extrusion Blow Molding

Base Width (A) Base Deep (C):
3.164± 0.050 2.053± 0.050

Case Pack: **194**

Stock Material:



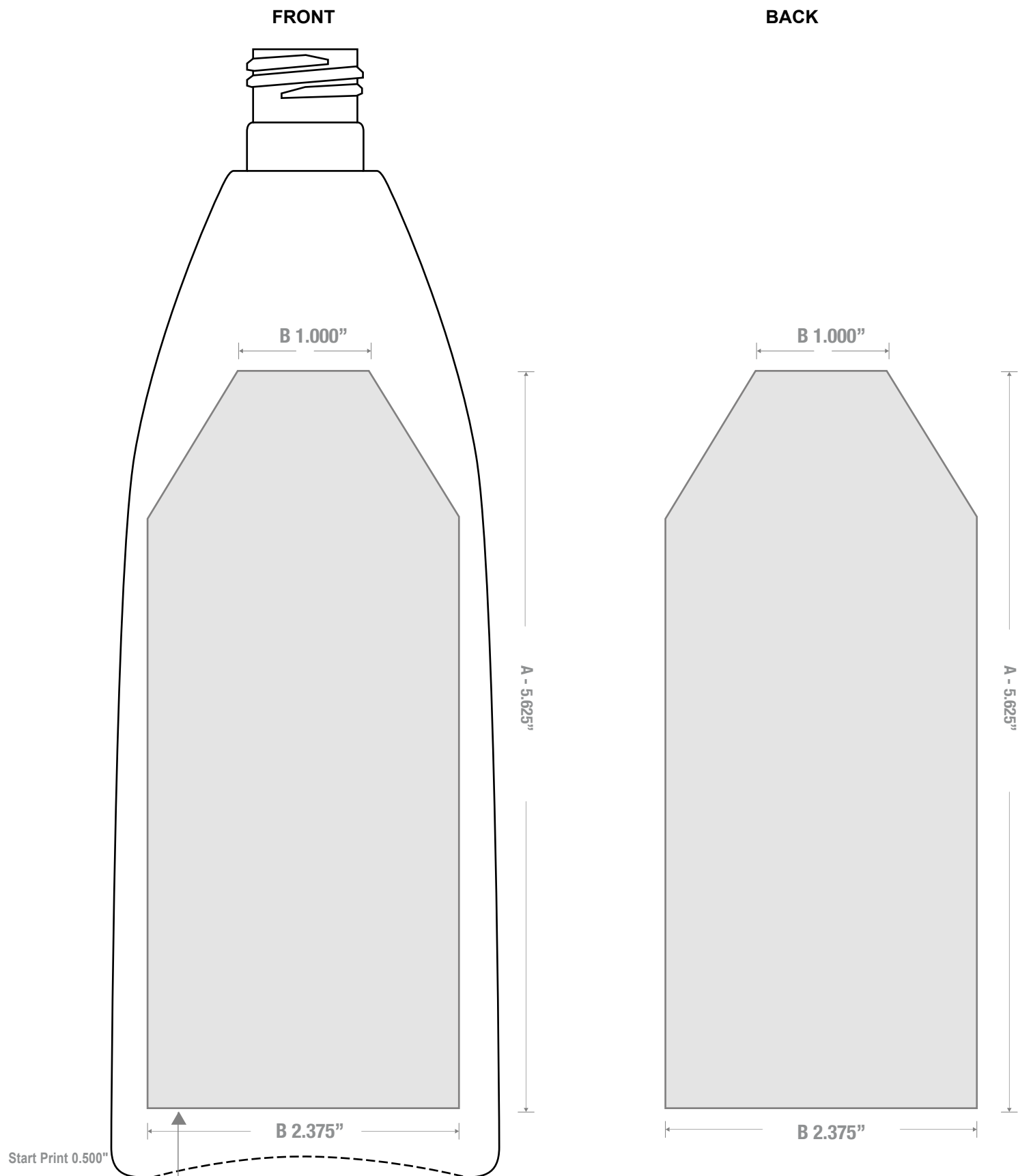
Overflow Capacity:
504 - 528 ml (17.1 - 17.9 oz)

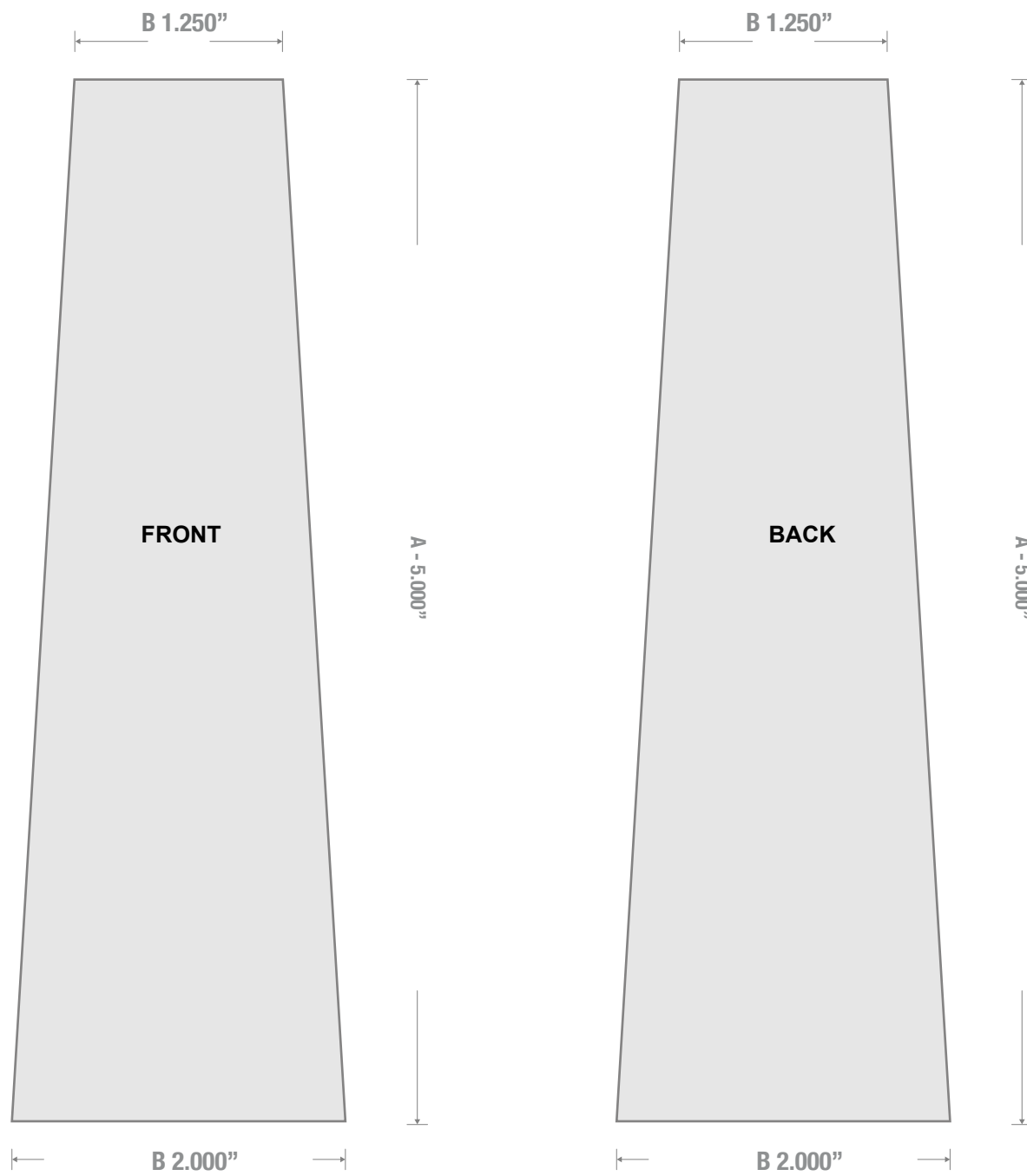
Overall Height (B):
8.872 ± 0.050

Case Weight (lb): **16.6 ± 0.9**

Rev #3 06/2016

Drawing not exactly to size.





1700 S Hellman Ave, Ontario, California 91761
Phone: (909) 930-3610 | Fax: (909) 930-3640
e-mail: info@classiccontainers.com
www.classiccontainers.com

A - Total Height.
B - Max. Decorating Area.