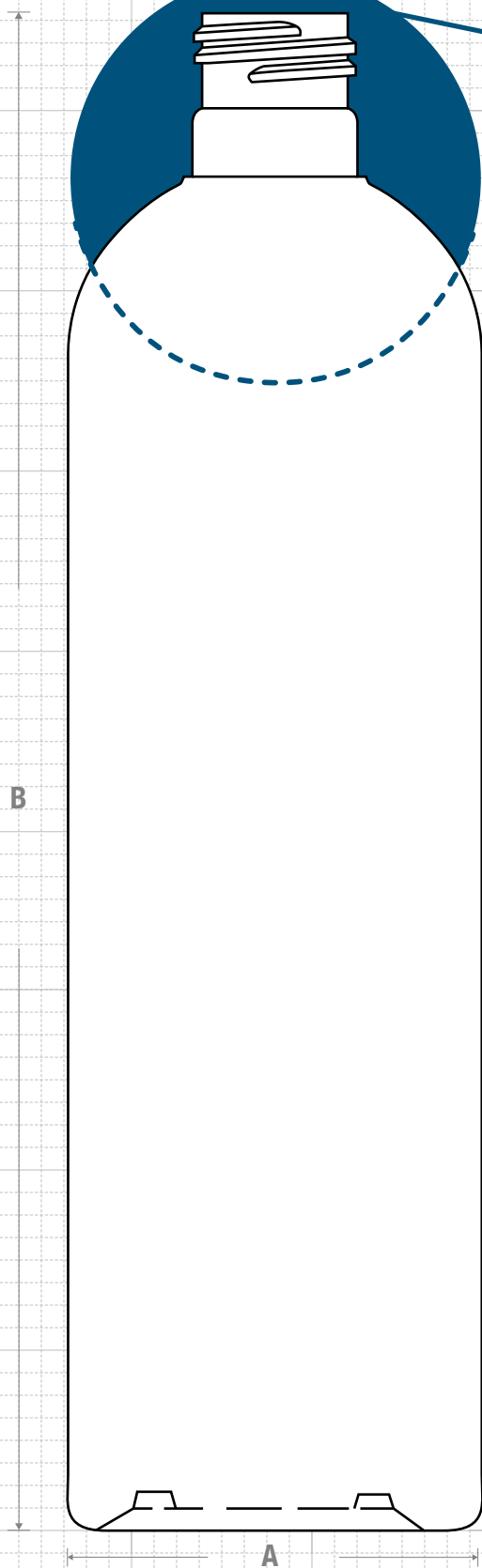
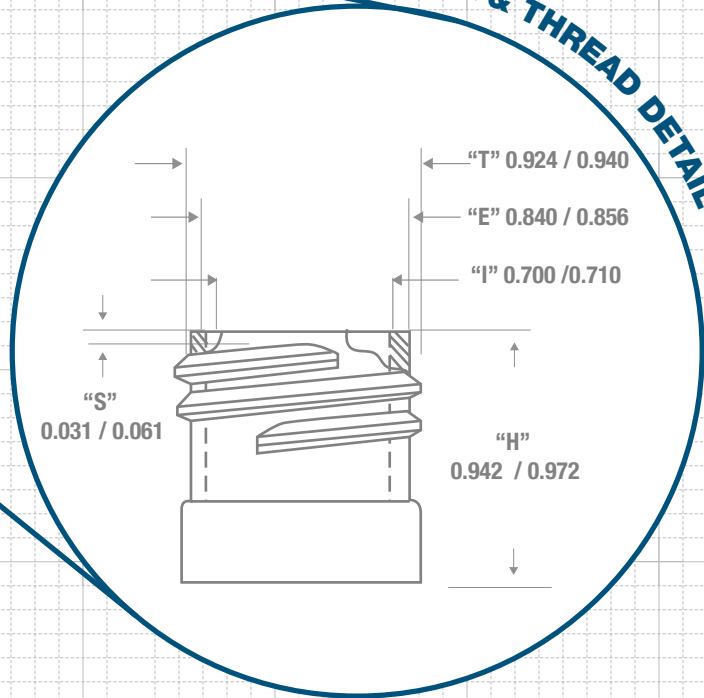


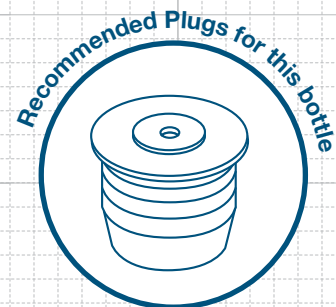
FRONT VIEW



NECK & THREAD DETAIL

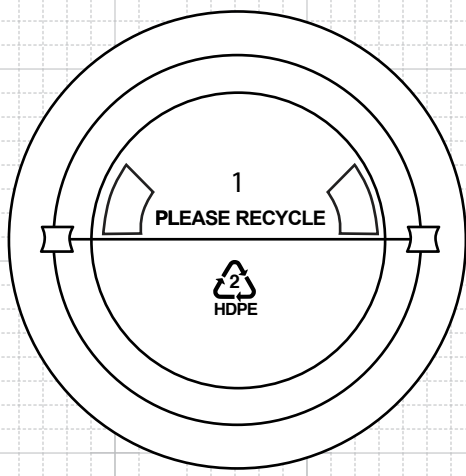


- HDPE
- LDPE
- PP
- OTHER



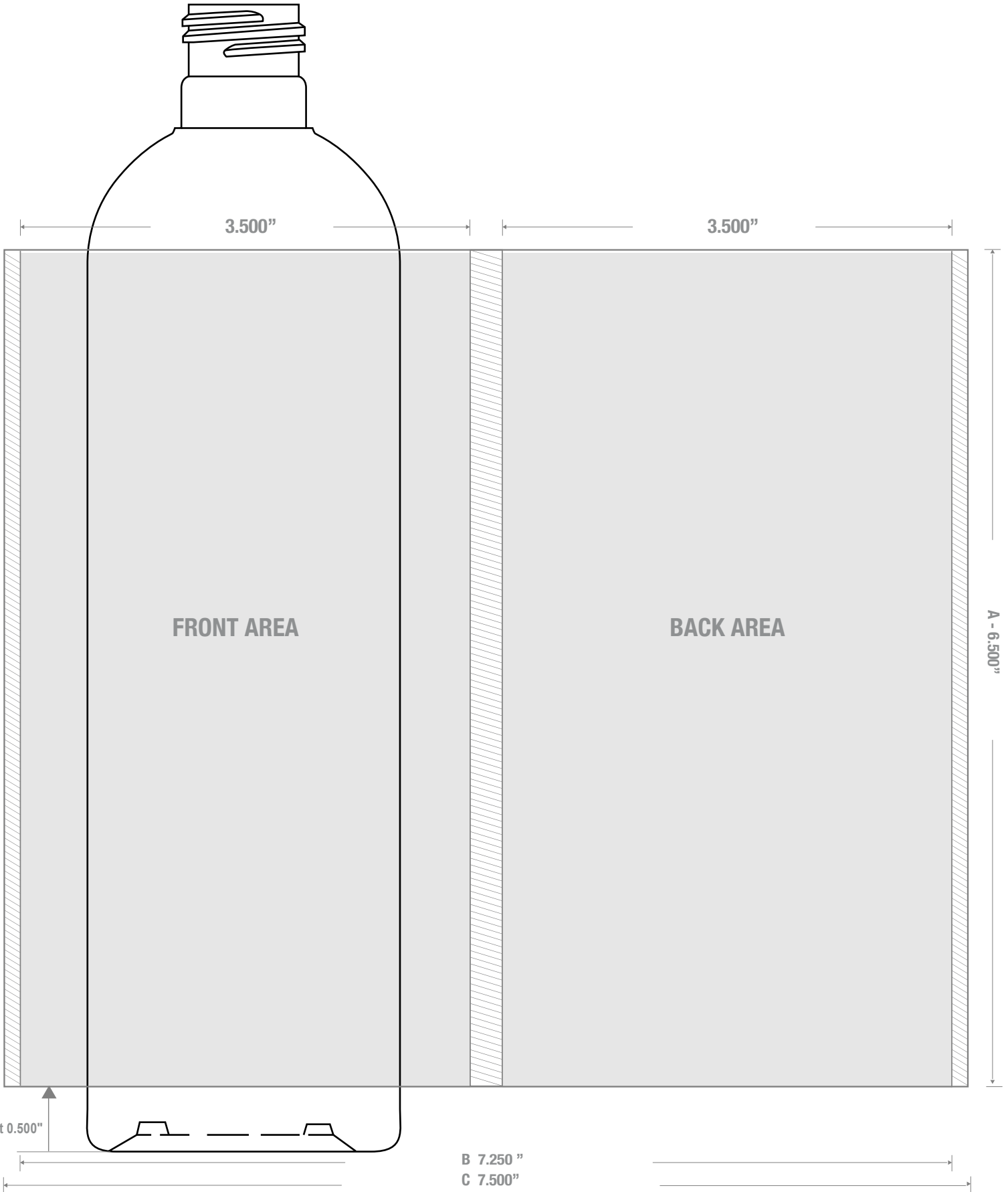
FRICITION FIT

BOTTOM VIEW



CLASSIC CONTAINERS INC
 1700 S. Hellman Ave.
 Ontario, CA 91761
 Phone: 909-930-3610
 e-mail: info@classiccontainers.com
 www.classiccontainers.com

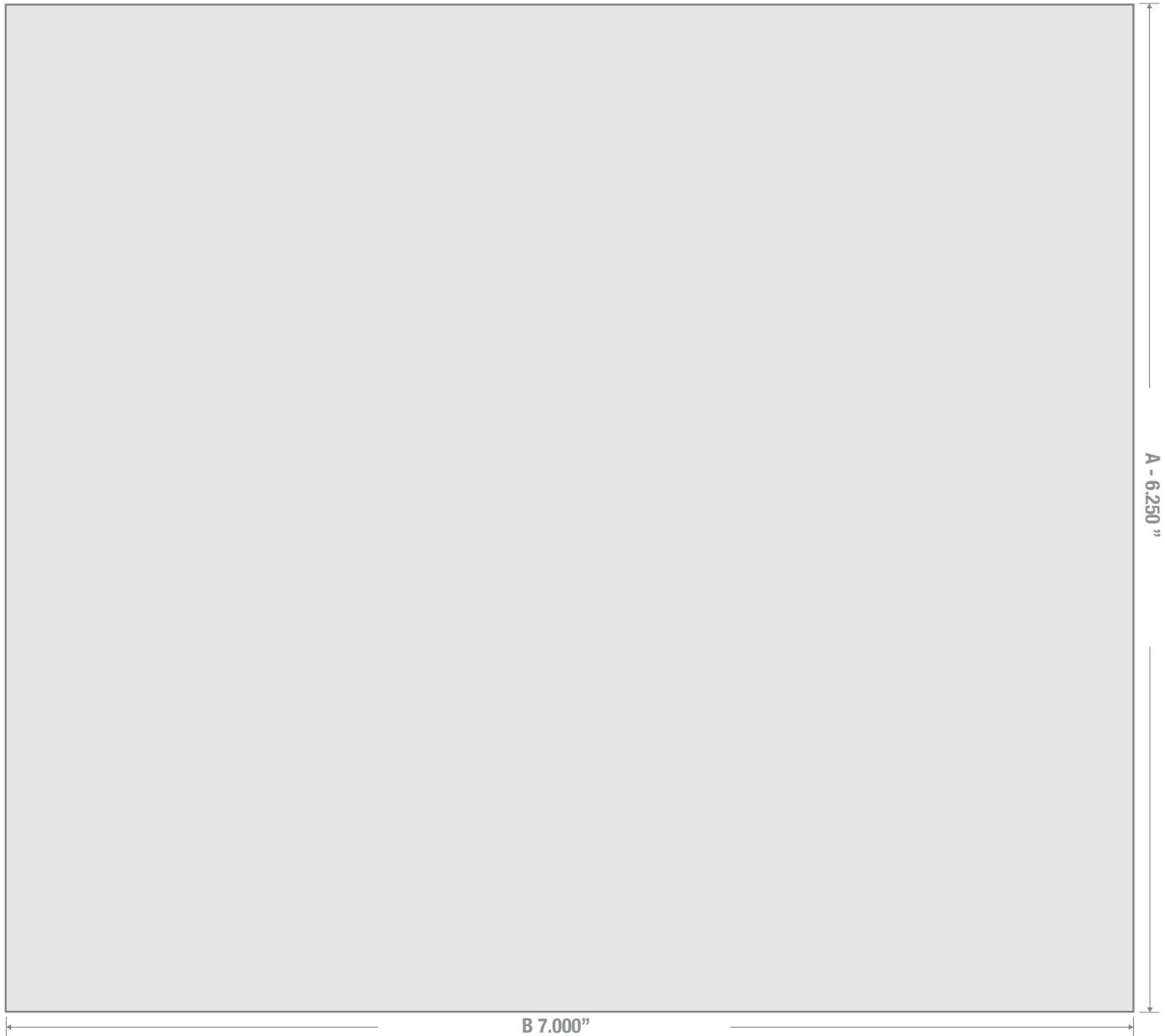
Drawing: 16 oz Imperial Round 24/415	Gram Weight: 32 ± 2 grs	Max Print Area (Height): 6.500"	Cases Per Pallet: 16
Stock Code: 001600050250000	Neck Finish: 24/415	Max Print Area (Width): 7.250"	Box Dimensions: 24 7/16 x 18 1/2 x 23
Manufacturing Process: Extrusion Blow Molding	Base Width (A): 2.380 ± 0.05	Case Pack: 212	Stock Material: HDPE
Overflow Capacity: 516- 540 ml (17.5 - 18.3 oz)	Overall Height (B): 8.875 ± 0.050	Case Weight (lb): 17.9 ± 0.9	Rev #4 -02/2020 Drawing not exactly to size.



1700 S Hellman Ave, Ontario, California 91761
Phone: (909) 930-3610 | Fax: (909) 930-3640
e-mail: info@classiccontainers.com
www.classiccontainers.com

A - Total Height.
B - Max. Decorating Area.
C - Total bottle circumference.
☐ Unprintable area

Labeling Area



1700 S Hellman Ave, Ontario, California 91761
Phone: (909) 930-3610 | Fax: (909) 930-3640
e-mail: info@classiccontainers.com
www.classiccontainers.com

A - Total Height.
B - Max. Decorating Area.