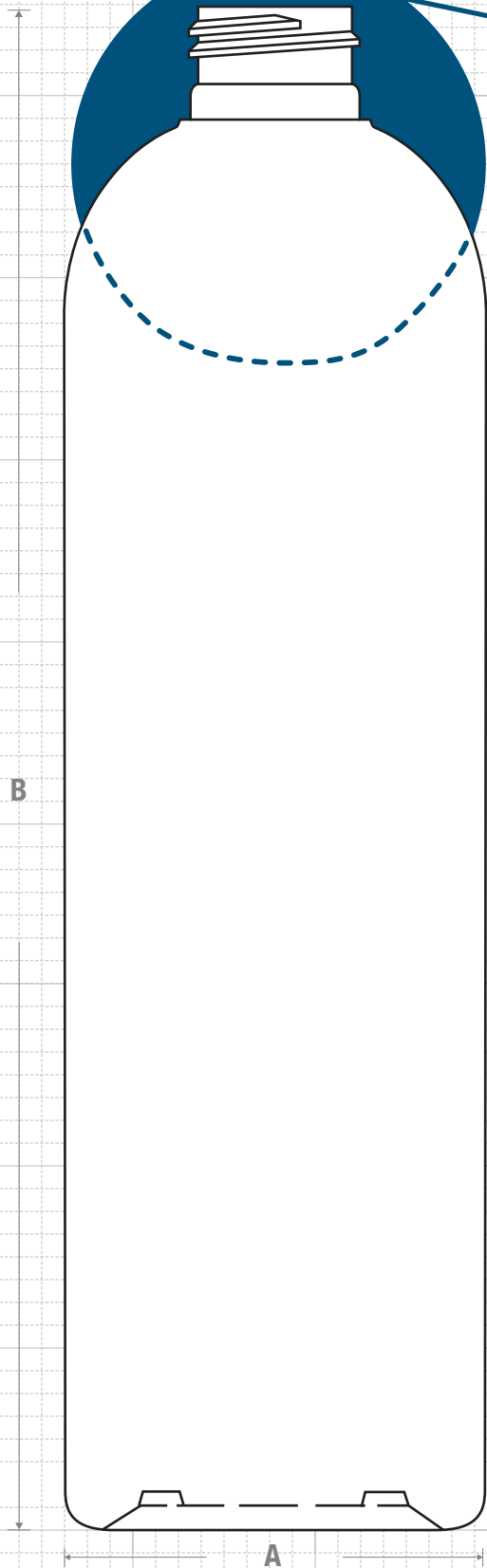
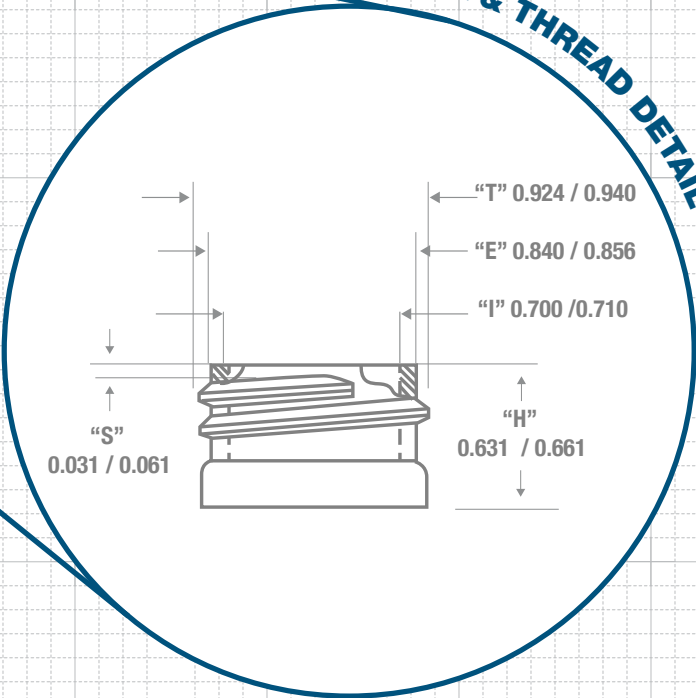


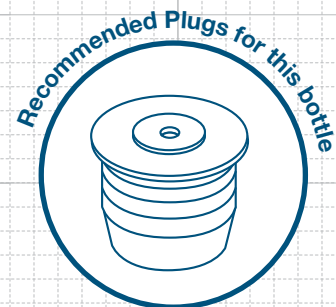
FRONT VIEW



NECK & THREAD DETAIL

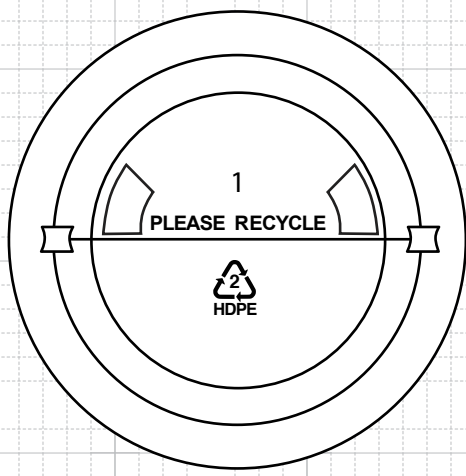


- 2 HDPE
- 4 LDPE
- 5 PP
- 7 OTHER

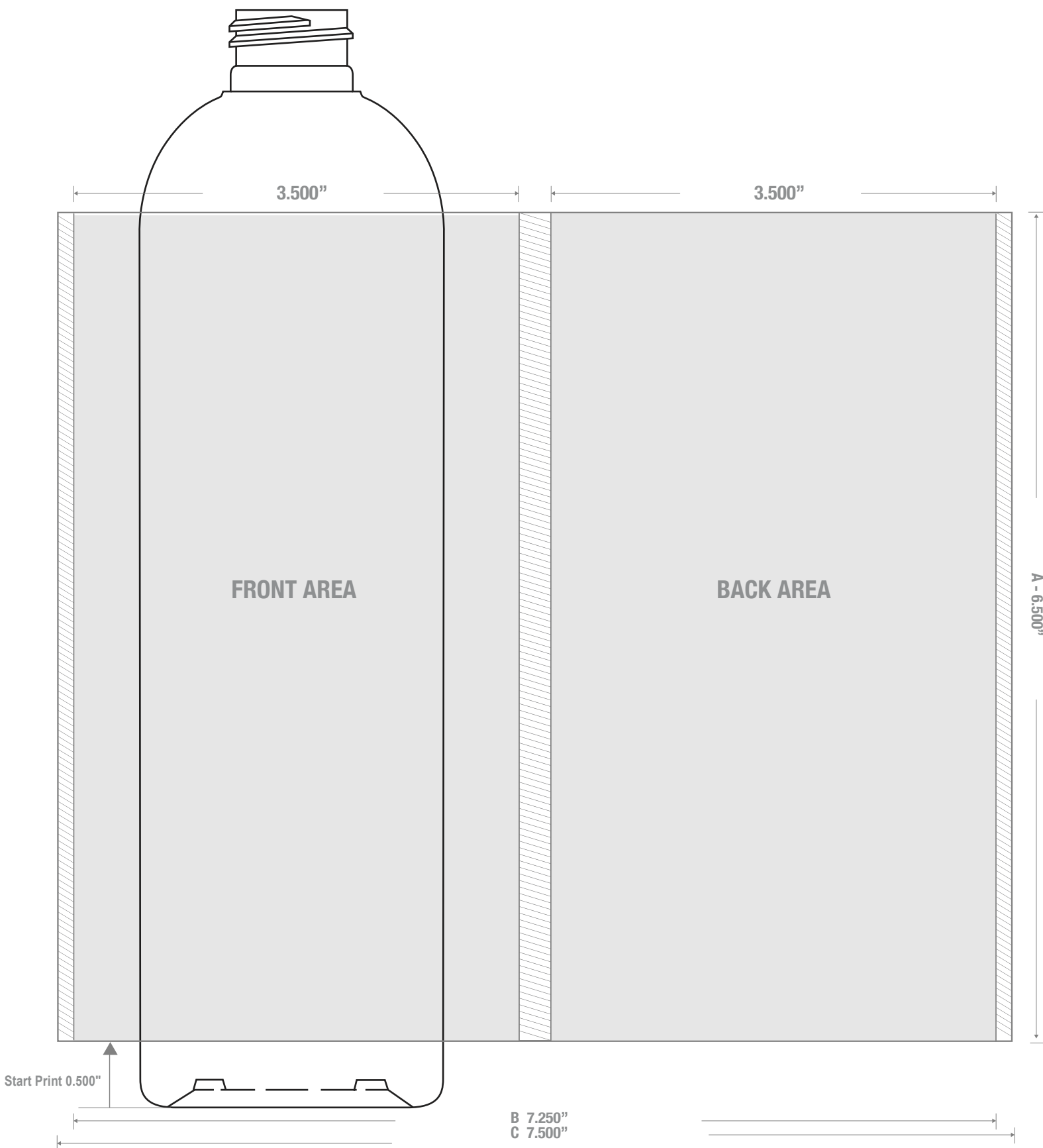


FRICITION FIT

BOTTOM VIEW



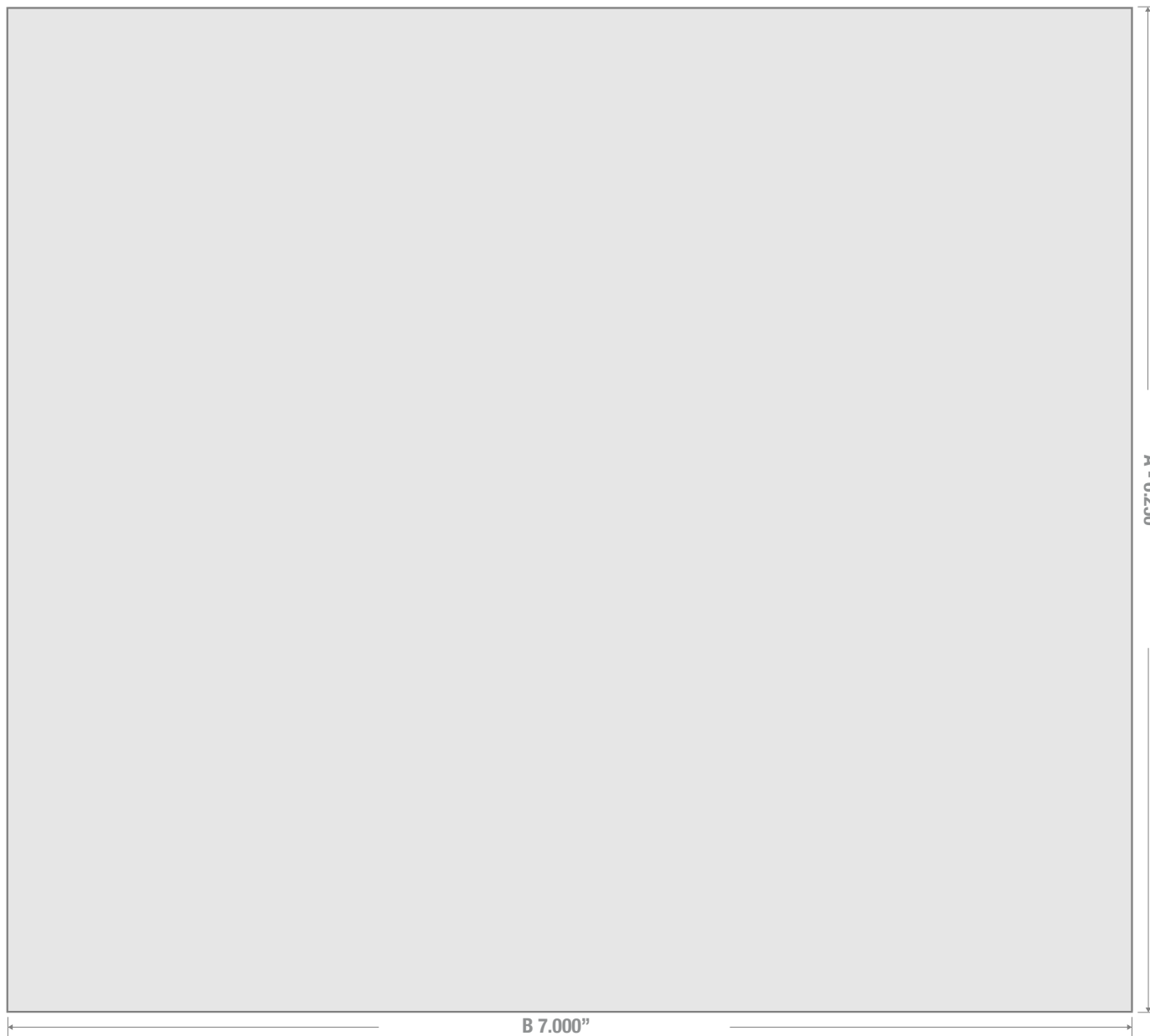
<p>CLASSIC CONTAINERS INC 1700 S. Hellman Ave. Ontario, CA 91761 Phone: 909-930-3610 e-mail: info@classiccontainers.com www.classiccontainers.com</p>	Drawing: 16 oz Imperial Round 24/410	Gram Weight: 32 ± 2 grs	Max Print Area (Height): 6.500"	Cases Per Pallet: 16
	Stock Code: 001600050240000	Neck Finish: 24/410	Max Print Area (Width): 7.250"	Box Dimensions: 24 7/16 x 18 1/2 x 23
	Manufacturing Process: Extrusion Blow Molding	Base Width (A): 2.380 ± 0.05	Case Pack: 212	Stock Material: HDPE
	Overflow Capacity: 513- 537 ml (17.4 - 18.2 oz)	Overall Height (B): 8.600 ± 0.050	Case Weight (lb): 17.9 ± 0.9	Rev #4 -02 /2020 Drawing not exactly to size.



1700 S Hellman Ave, Ontario, California 91761
Phone: (909) 930-3610 | Fax: (909) 930-3640
e-mail: info@classiccontainers.com
www.classiccontainers.com

A - Total Height.
B - Max. Decorating Area.
C - Total bottle circumference.
☐ Unprintable area

Labeling Area



1700 S Hellman Ave, Ontario, California 91761
Phone: (909) 930-3610 | Fax: (909) 930-3640
e-mail: info@classiccontainers.com
www.classiccontainers.com

A - Total Height.
B - Max. Decorating Area.