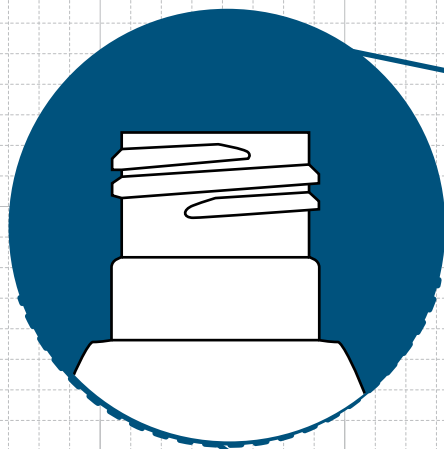
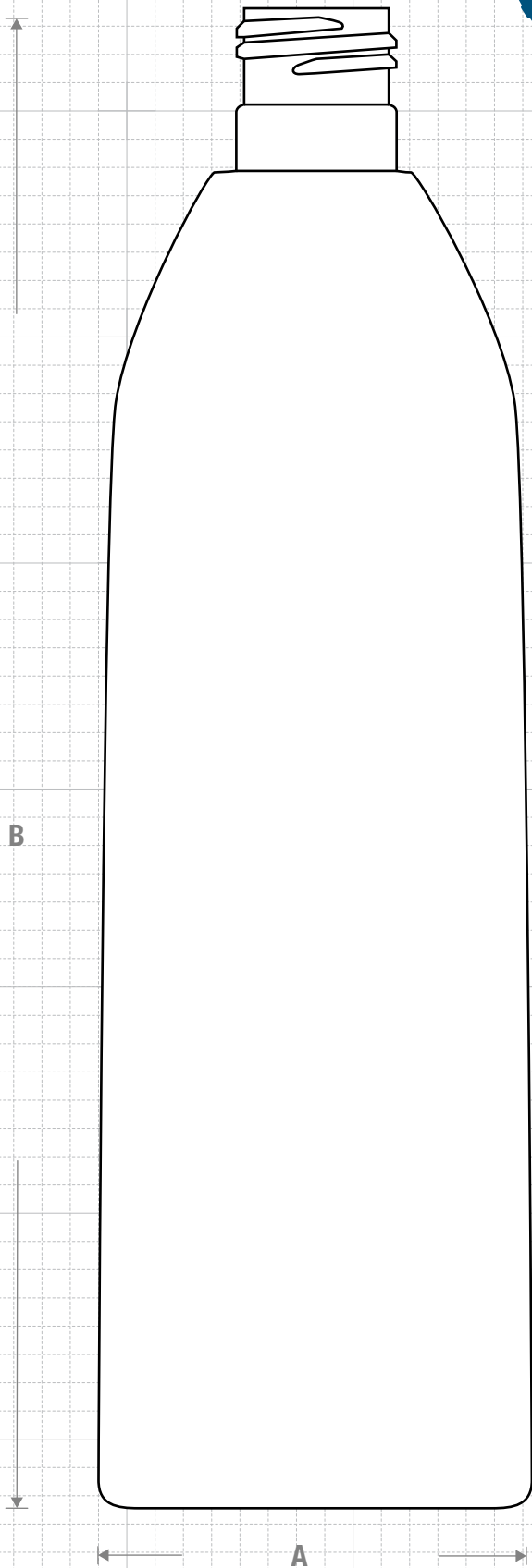
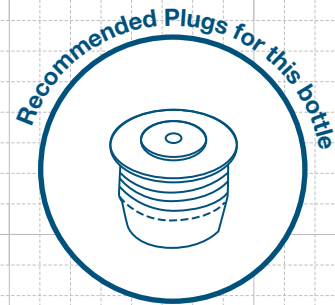
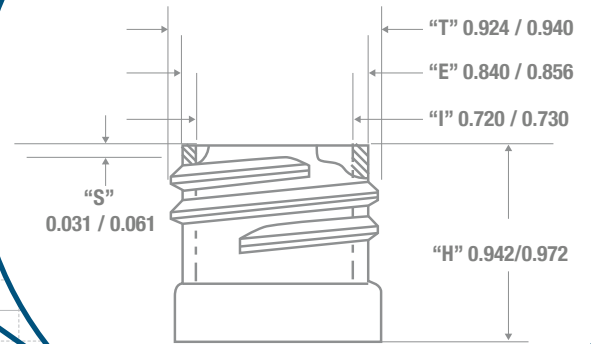


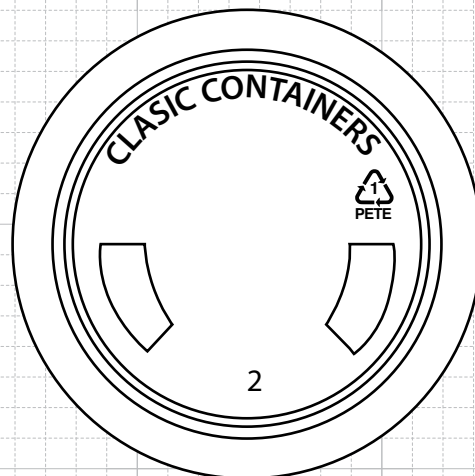
FRONT VIEW



NECK & THREAD DETAIL



FRICITION FIT



BOTTOM VIEW



Drawing: 16 oz Evolution 24/415	Gram Weight: 36 ± 1	Max Print Area (Height): 4.875"	Cases Per Pallet: 16
Stock Code: 001600330251700	Neck Finish: 24/415	Max Print Area (Width): 7.437"	Box Dimensions: 24 7/16 x 18 1/2 x 23
Manufacturing Process: Strech Blow Molding	Base Width (A): 2.441± 0.050	Case Pack: 206	Stock Material:
Overflow Capacity: 481 - 504 ml (16.3 - 17.1 oz)	Overall Height (B): 8.406 ± 0.050	Case Weight (lb): 19.2 ± 0.5	Rev #3 03/2016 Drawing not exactly to size.