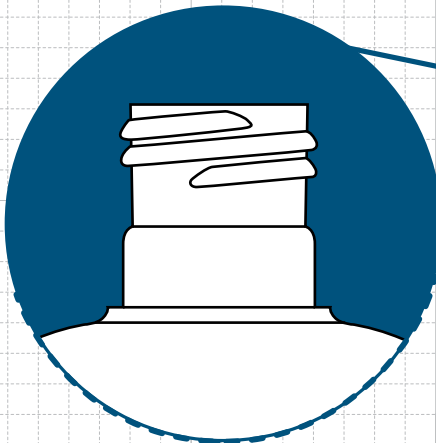
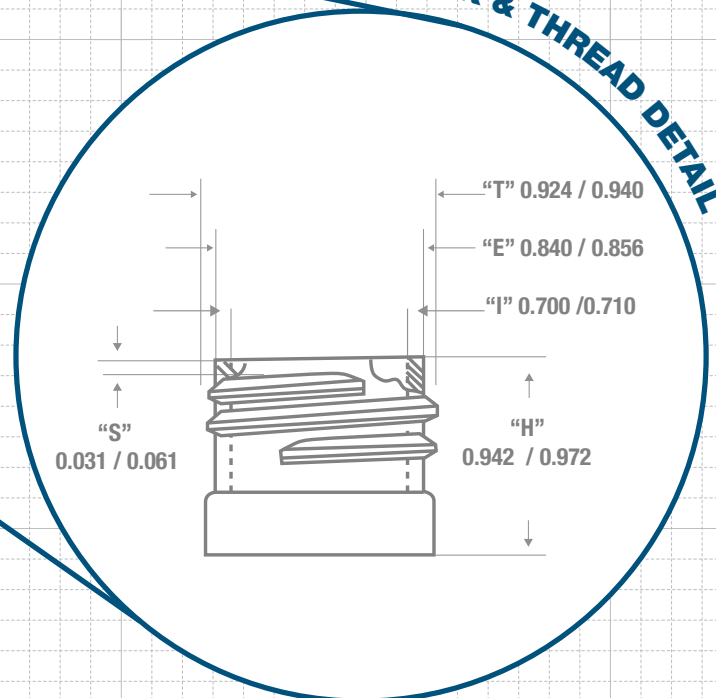
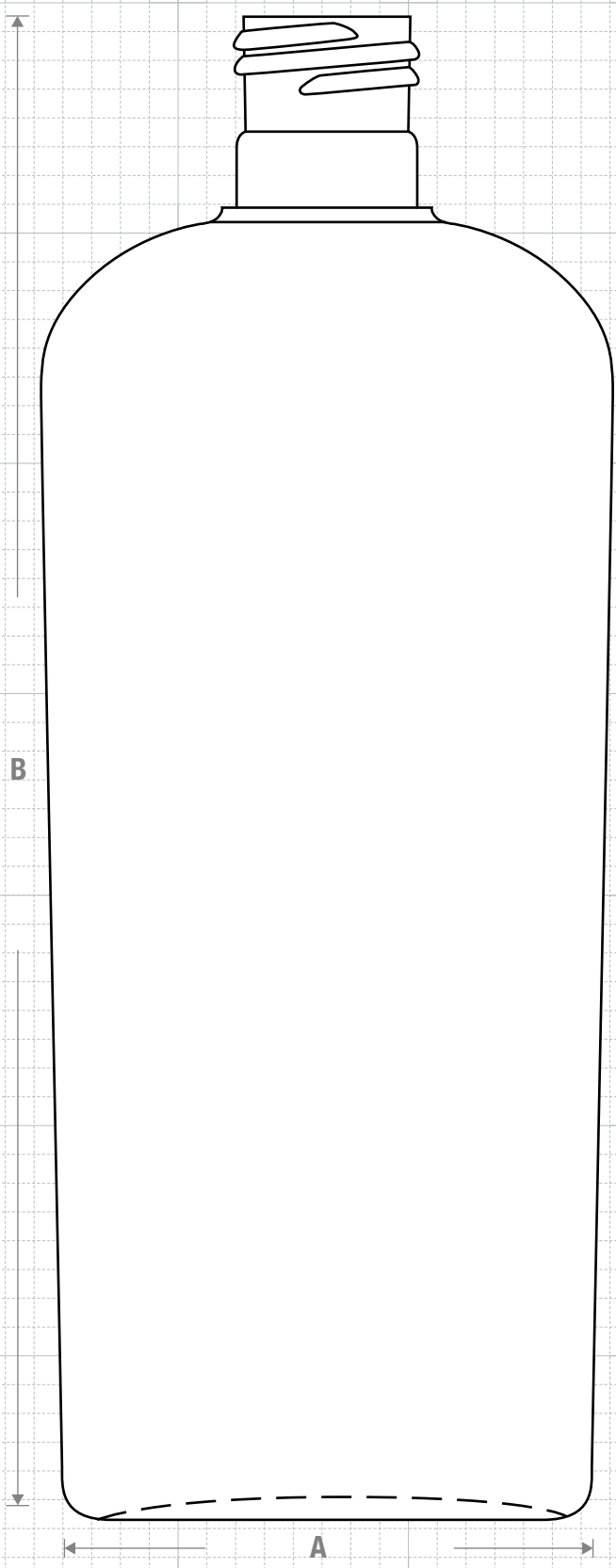




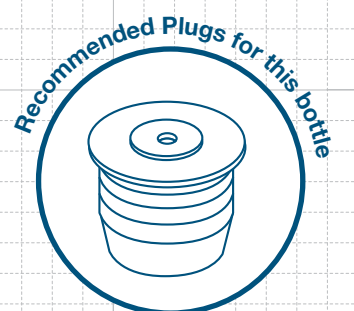
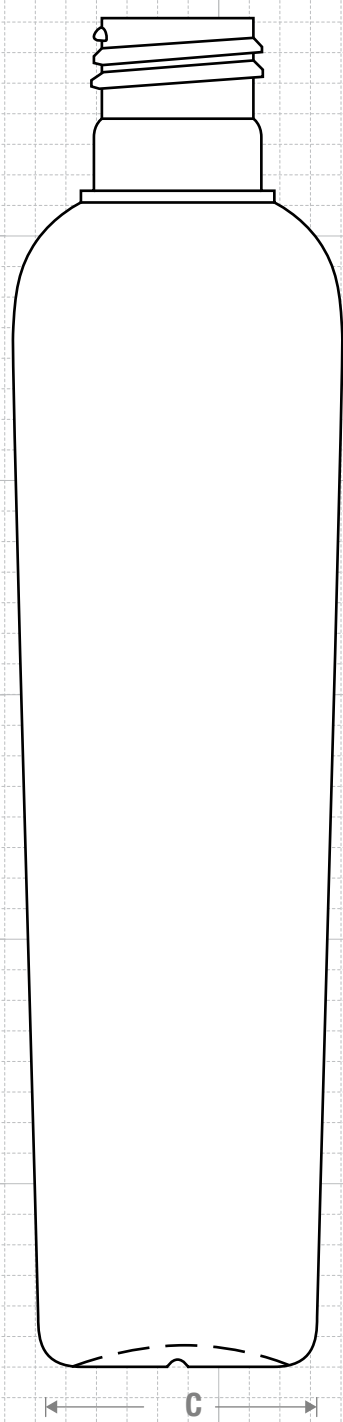
NECK & THREAD DETAIL



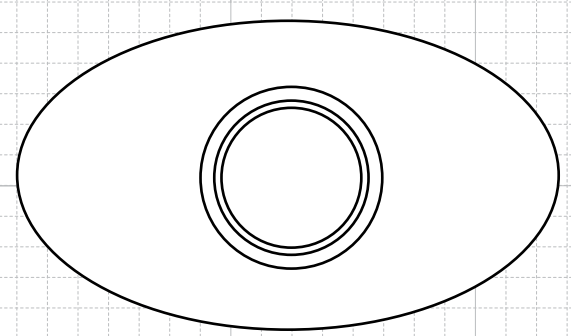
FRONT VIEW



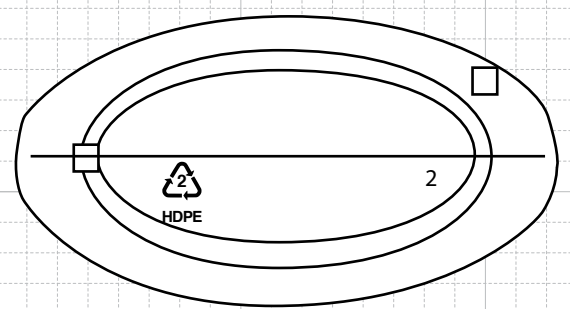
SIDE VIEW



FRICTION FIT



TOP VIEW



BOTTOM VIEW



CLASSIC CONTAINERS INC
 1700 S. Hellman Ave.
 Ontario, CA 91761
 Phone: 909-930-3610
 e-mail: info@classiccontainers.com
 www.classiccontainers.com

Drawing: 16 oz Classic Oval 24/415	Gram Weight: 33 ± 2	Max Print Area (Height): 5.500"	Cases Per Pallet: 16
Stock Code: 001600230250000	Neck Finish: 24/415	Max Print Area (Width): 2.500"	Box Dimensions: 24 7/16 x 18 1/2 x 23
Manufacturing Process: Extrusion Blow Molding	Base Width (A): Base Deep (C) 3.049 ± 0.050 1.702 ± 0.050	Case Pack: 196	Stock Material:
Overflow Capacity: 499 - 522 ml (16.9 - 17.7 oz)	Overall Height (B): 8.311 ± 0.050	Case Weight (lb): 17.1 ± 0.9	Rev #3 - 06/2016 Drawing not exactly to size.

